



DESCRIPTION:

- Round cover.
- Brass body.
- Matte black finish.
- 1/2" NPT Male inlet
- G1/2" Male thread.

SHIPPING DIMENSIONS

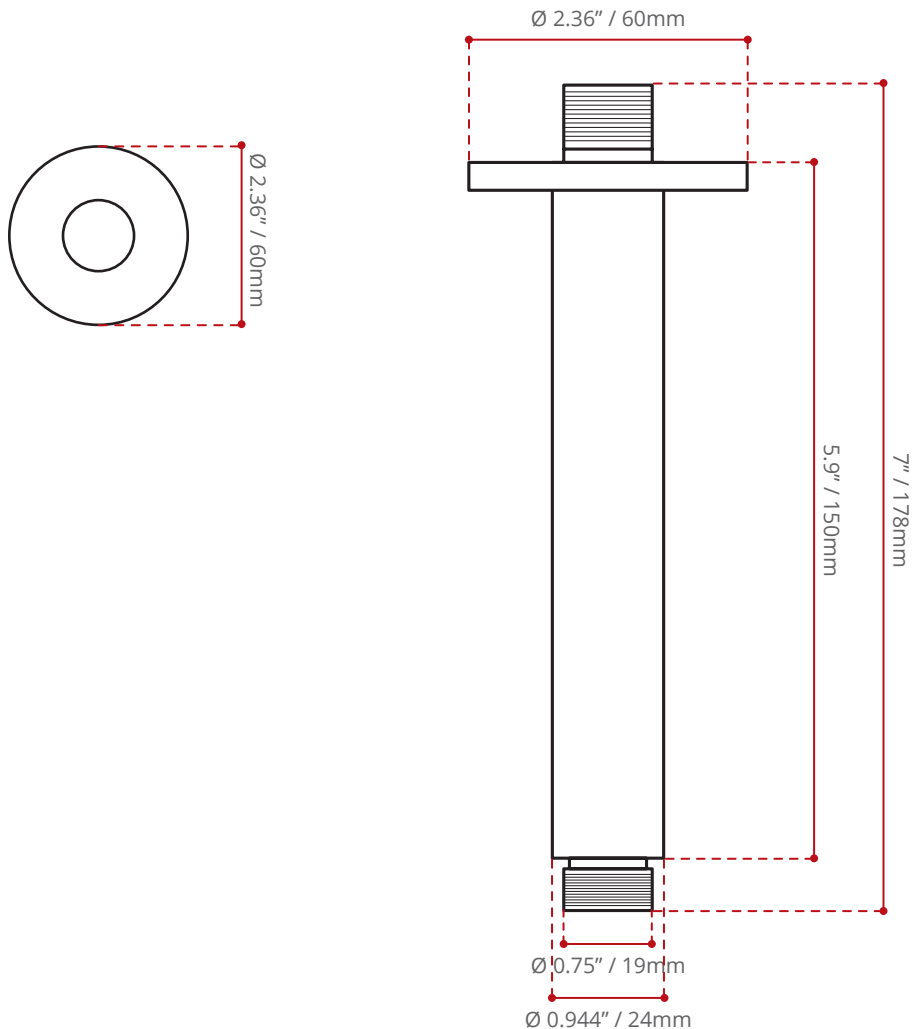
2.75 x 8 x 2.75" / 70 x 203 x 70mm

NET WEIGHT

0.4 kg / 0.88 lbs.

GROSS WEIGHT

0.5 kg / 1.1 lbs.



Measurements may vary $\pm 5\text{mm}$
- Diagram NOT to scale -

