



DESCRIPTION:

- Removable plate.
- G 1/2" NPT Female thread.
- G 1/2" NPT Male thread.
- Chrome finish.

SHIPPING DIMENSIONS

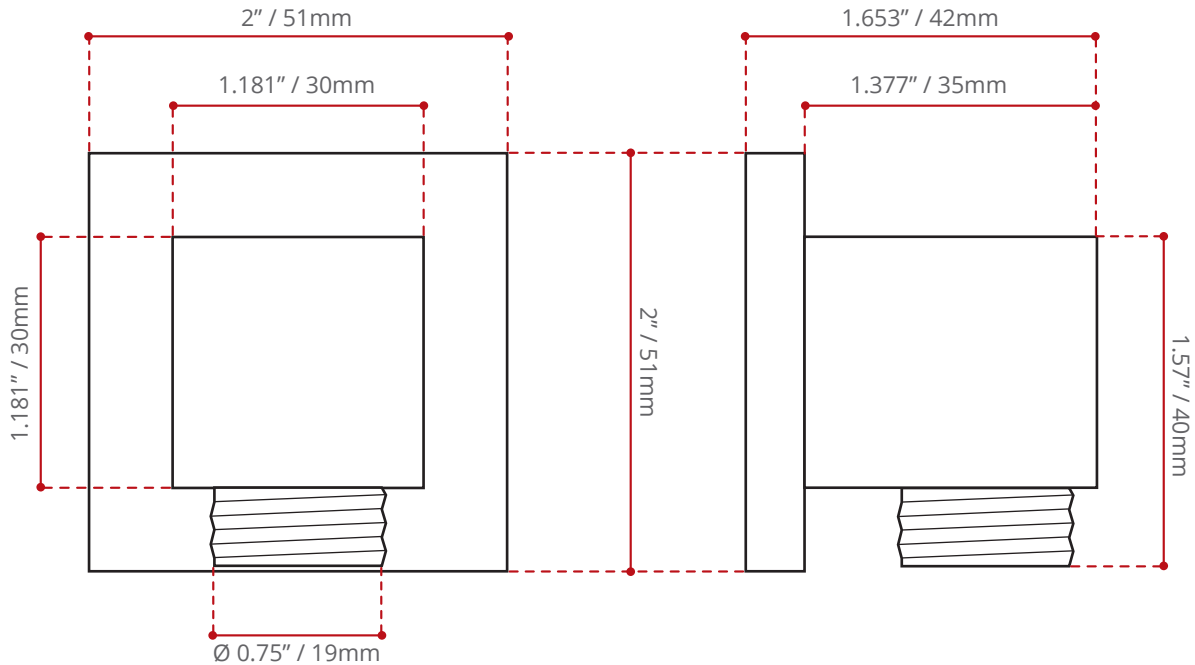
2.36 x 3.14 x 2.36" / 60 x 80 x 60mm

NET WEIGHT

0.4 kg / 0.88 lbs.

GROSS WEIGHT

0.5 kg / 1.1 lbs.



Measurements may vary ± 5 mm
- Diagram NOT to scale -