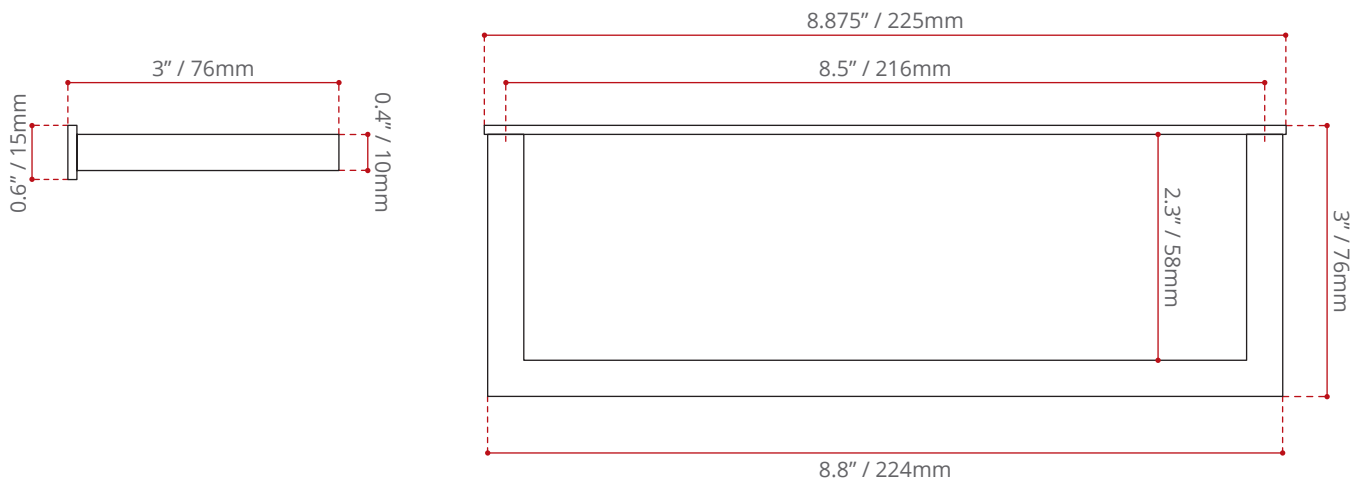


**DESCRIPTION:**

- Towel Ring
- Matte black finish
- Solid brass construction
- Corrosion & discolouration resistant
- Complies with CSA & IAPMO standards

**SHIPPING INFORMATION:**

- Length: 9.25" / 235mm
- Net Weight: 0.8 kg / 1.76 lbs.
- Width: 3.25" / 83mm
- Gross Weight: 1 kg / 2.2 lbs.
- Height: 1" / 25mm



DISCLAIMER:  
Measurements may vary  $\pm \frac{1}{4}$ "  
(Diagram Not to scale)

