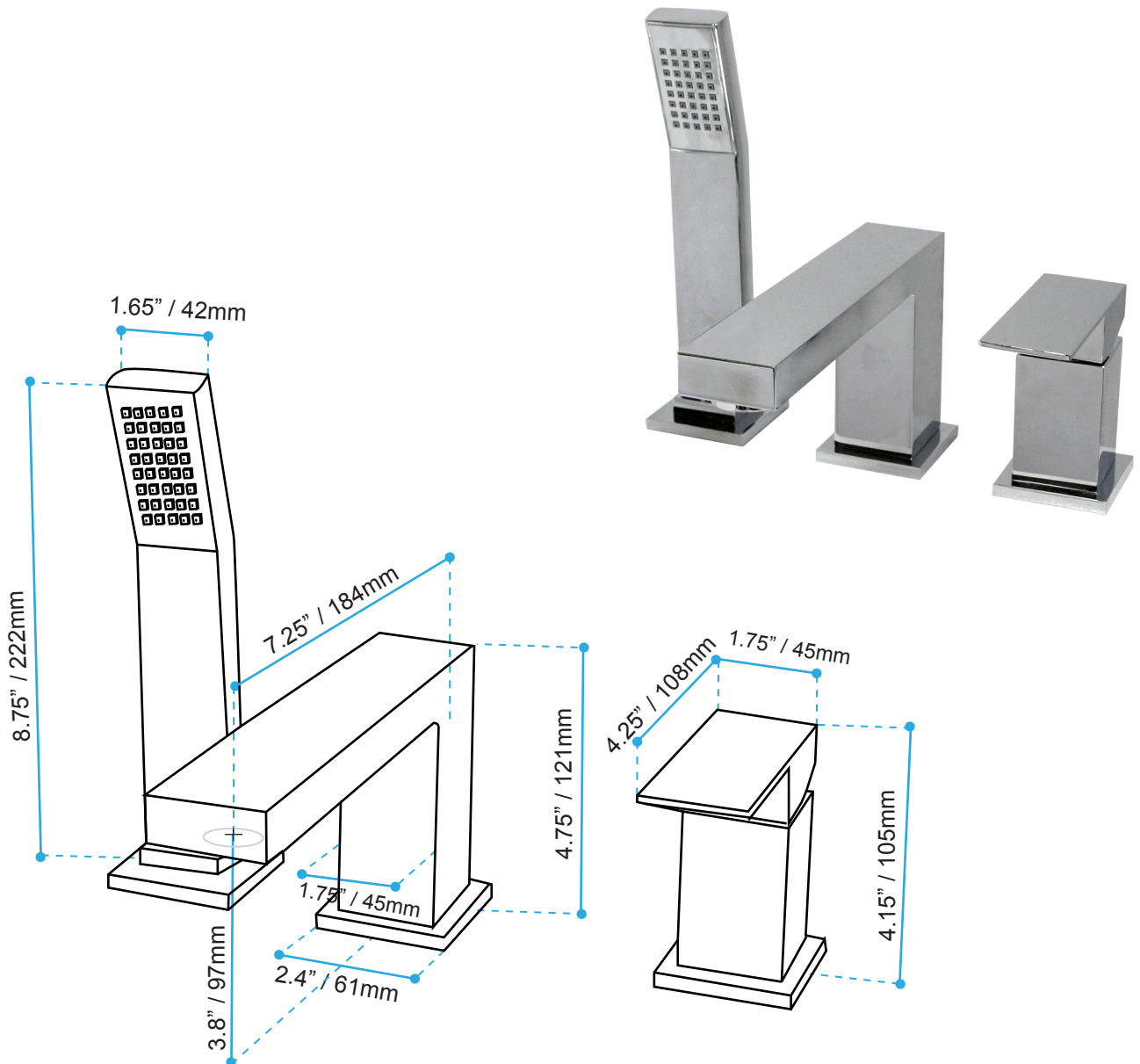


Affordable Luxury

3-Hole Roman Tub Filler



Finish	Net Weight	Gross Weight (kgs)	Shipping Dimensions
Chrome			

Customer Service Call
 Toll Free: 1.877.398.8827
 Web Site: www.valleyacrylic.com
 Email: purchasing@valleyacrylic.com
 Fax: 604.820.0124

Complies with CSA Standards
 Measurements may vary ± 5 mm
 (Diagram not to scale)