



DESCRIPTION:

- Single lever single hole faucet
- Curved handle for easy water & temperature control
- Brass body with chrome finish
- High quality, drip-free ceramic cartridge
- Corrosion & discolouration resistant
- Complies with CSA & IAPMO standards

PRESSURE:

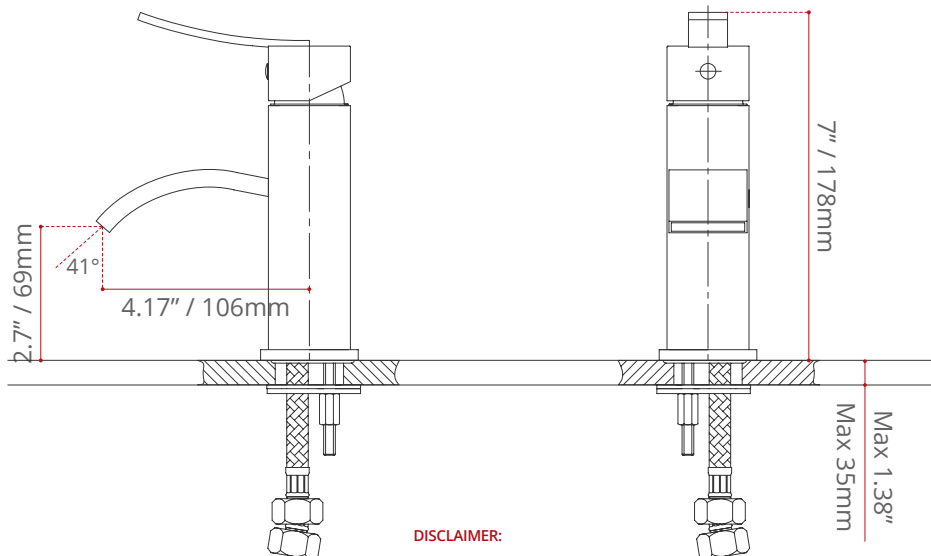
60 PSI

FLOW RATE:

4.5 LPM

SHIPPING INFORMATION:

- **Length:** 13.5 / 343mm
- **Width:** 6.75" / 171mm
- **Height:** 3" / 76mm
- **Net Weight:** 1.5 kg / 3.3 lbs.
- **Gross Weight:** 2 kg / 4.4 lbs.



DISCLAIMER:
Measurements may vary $\pm \frac{1}{4}$ "
(Diagram Not to scale)

