



DESCRIPTION:

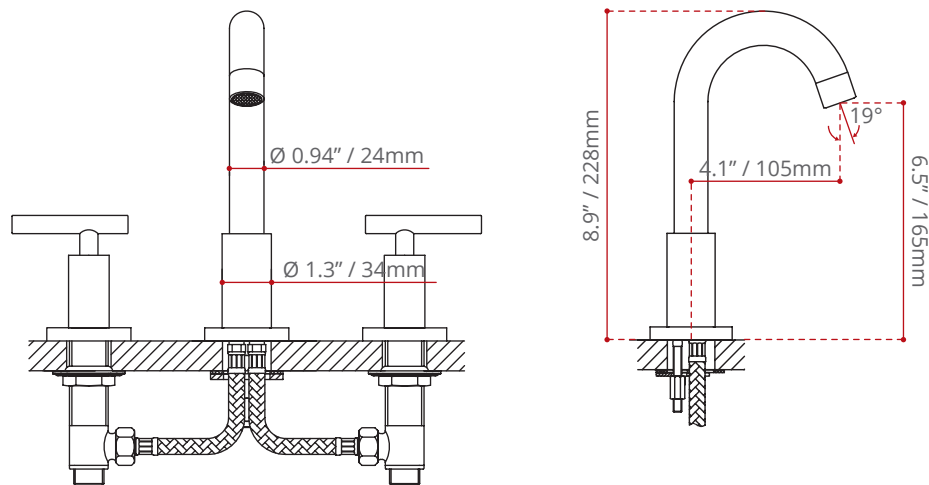
- 3-hole Installation.
- Chrome finish.
- Solid brass construction.
- Ceramic disc cartridge.
- 8" CC lavatory faucet.
- Drain assembly included.
- Complies with CSA standards.

FLOW RATE:

2.2 GPM / 8.3 LPM

SHIPPING INFORMATION:

- **Length:** 16.5" / 419mm
- **Net Weight:** 2 kg / 4.4 lbs.
- **Width:** 9.5" / 241mm
- **Gross Weight:** 2.5 kg / 5.5 lbs.
- **Height:** 3.25" / 83mm



DISCLAIMER:
Measurements may vary $\pm 1/4"$
(Diagram Not to scale)

