



DESCRIPTION:

- Single lever
- Pull-out Dual spray head
- Chrome finish
- Zinc alloy body housing with brass core
- Magnetic docking
- Ceramic disc cartridge
- Easy to clean and maintain
- Complies with CSA standards

PRESSURE:

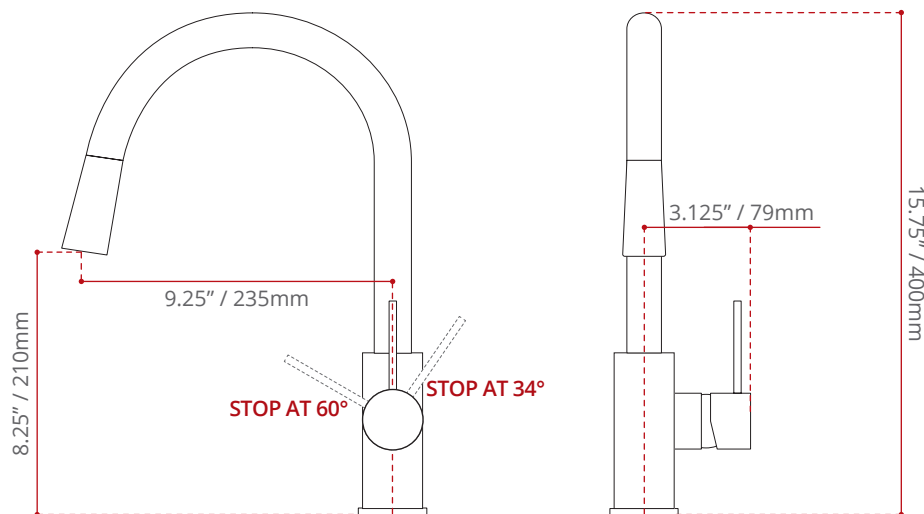
59.46 PSI

FLOW RATE:

8.3 LPM

SHIPPING INFORMATION:

- Length: 25.2" / 640mm
- Net Weight: 2.24 kg / 4.94 lbs.
- Width: 12.2" / 310mm
- Gross Weight: 2.85 kg / 6.29 lbs.
- Height: 3" / 75mm



DISCLAIMER:

Measurements may vary $\pm \frac{1}{4}$ "
(Diagram Not to scale)

