

DESCRIPTION:

- Polished stainless steel body.
- Chrome finish.
- Easy-clean anti-lime.
- 1/2" NPT female inlet.
- 0.12" thick low profile minimalist design.
- Complies with CSA standards.

WATER FLOW

2.5 GPM / 9.51 LPM MAX

SHIPPING DIMENSIONS

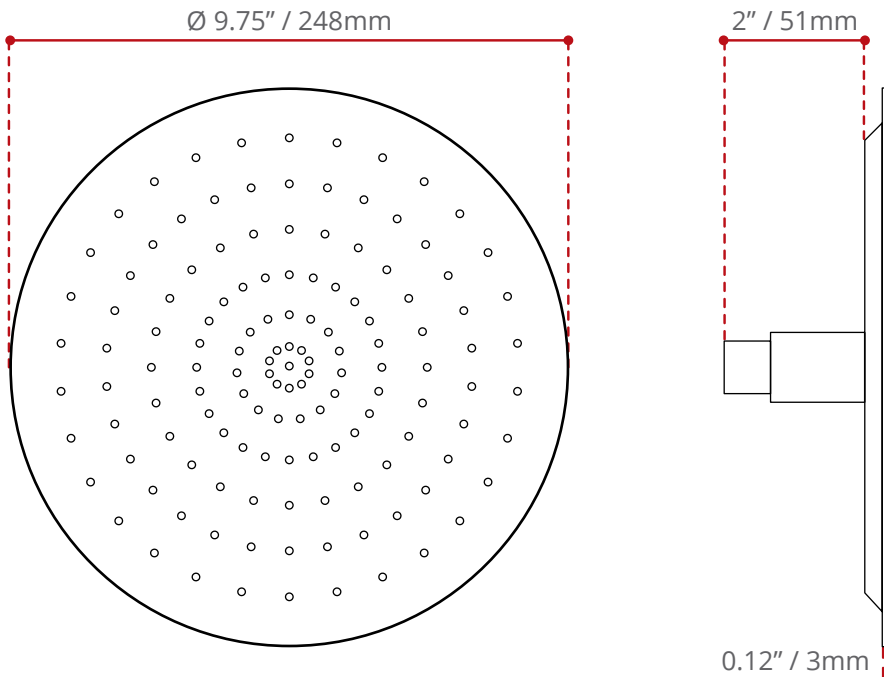
12 x 12 x 4" / 305 x 305 x 102mm

NET WEIGHT

0.4 kg / 0.88 lbs.

GROSS WEIGHT

0.5 kg / 1.1 lbs



Measurements may vary ±5mm
- Diagram NOT to scale -

