

A38807

INSTALLATION GUIDE

Thank you for choosing Valley Bath & Kitchen.

This manual provides important information to guide you through the installation of your product.

All details contained in this guide are based on the most up-to-date product information available at the time of publication. Valley Bath & Kitchen reserves the right to make changes to product specifications, packaging, or availability without prior notice.

We sincerely appreciate your purchase and your trust in Valley Bath & Kitchen.

BEFORE YOU BEGIN

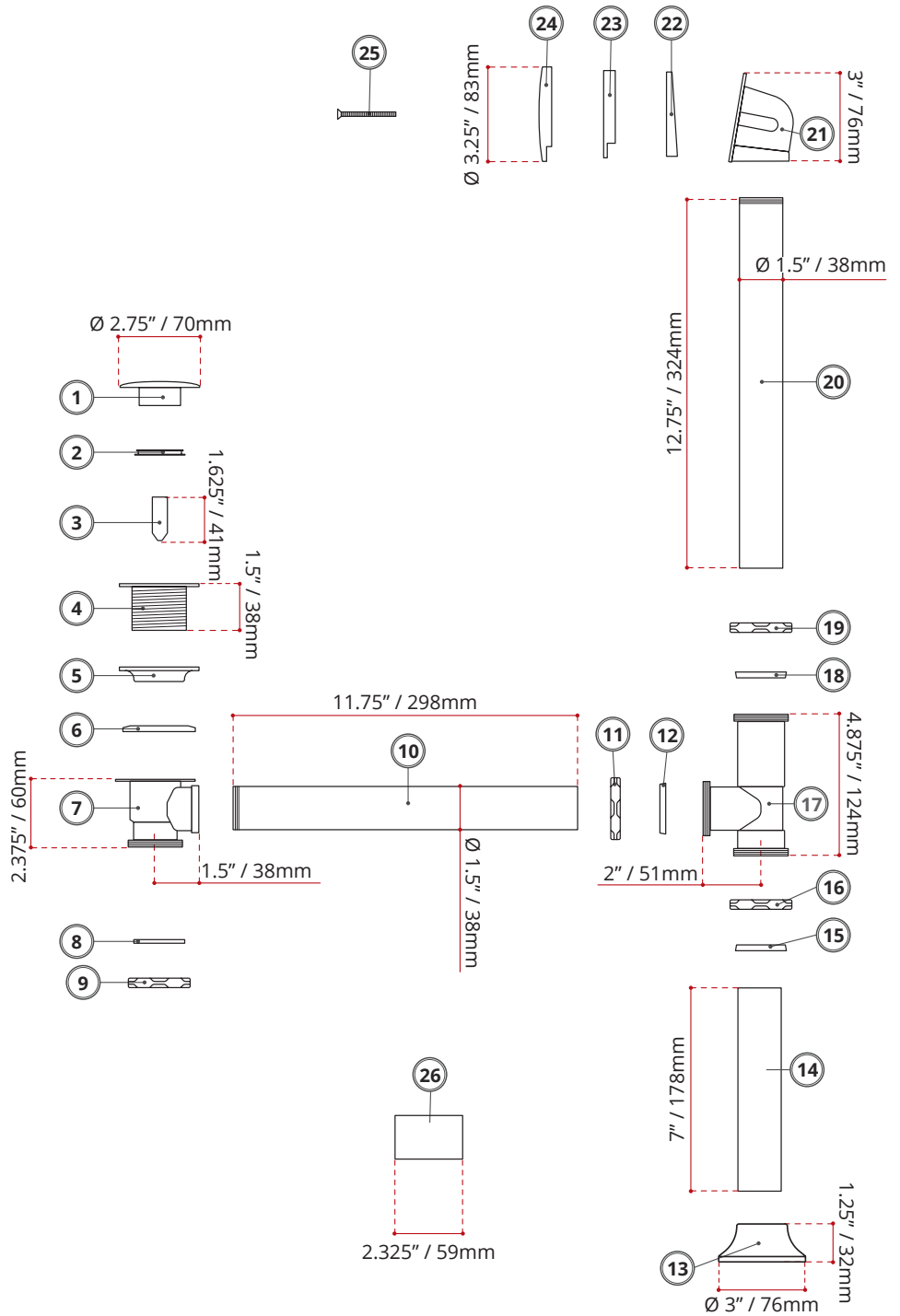
- **Inspect Carefully:** Unpack and check all parts to ensure they are complete and undamaged. If anything is missing or defective, please contact the authorized dealer where you purchased the product.
- **Check for Damage:** Inspect the unit before installation. If you notice any damage or imperfections in the finish, contact your dealer immediately. The warranty does not cover damages or finish defects once the unit has been installed.
- **Transportation Claims:** Valley's responsibility for shipping damages ends once the product is delivered in good condition to the carrier. Any claims for transport-related damage must be filed directly with the carrier.
- **Compliance:** Review your local building codes to ensure the installation complies with applicable regulations.
- **Verify Dimensions:** Refer to your product's specification sheet and confirm that your unit and installation site measurements align with the stated dimensions.

Required Tools

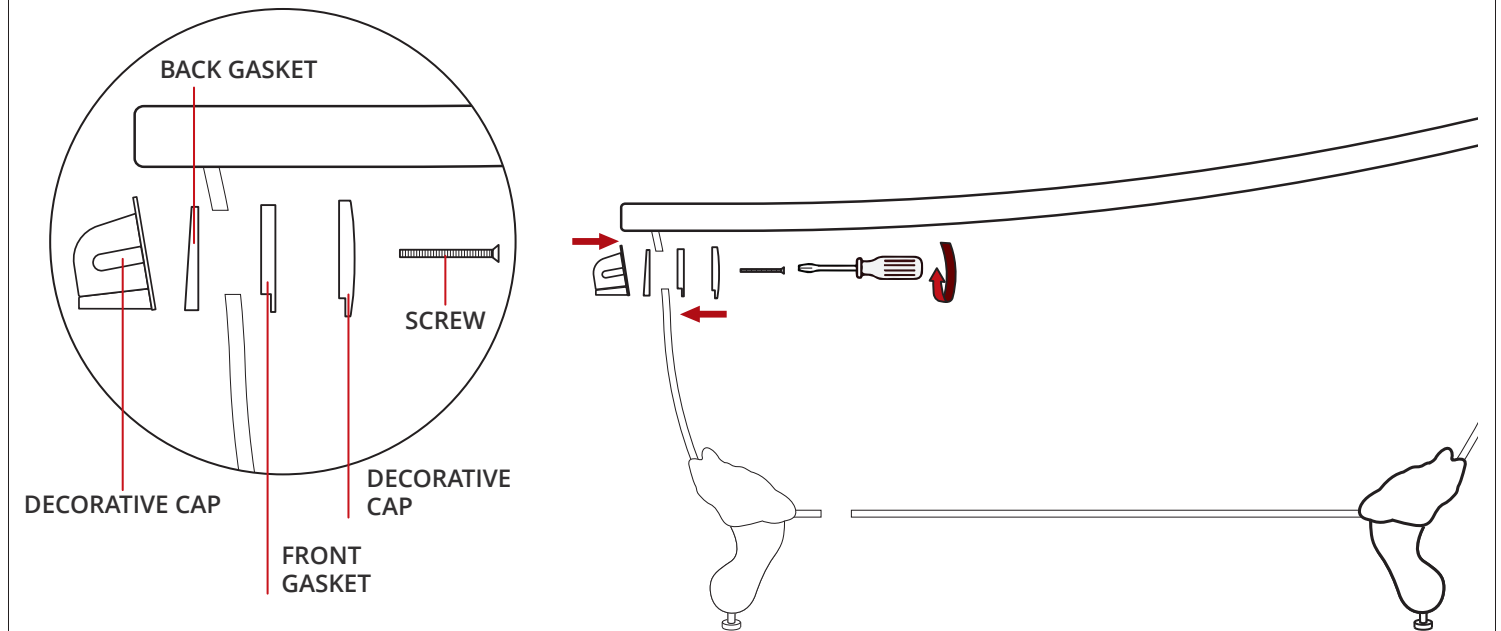
- Measuring tape
- Pencil
- Screwdriver
- Level
- Safety glasses
- Teflon Tape
- Hacksaw
- Wrench

SPECS & PARTS BREAKDOWN

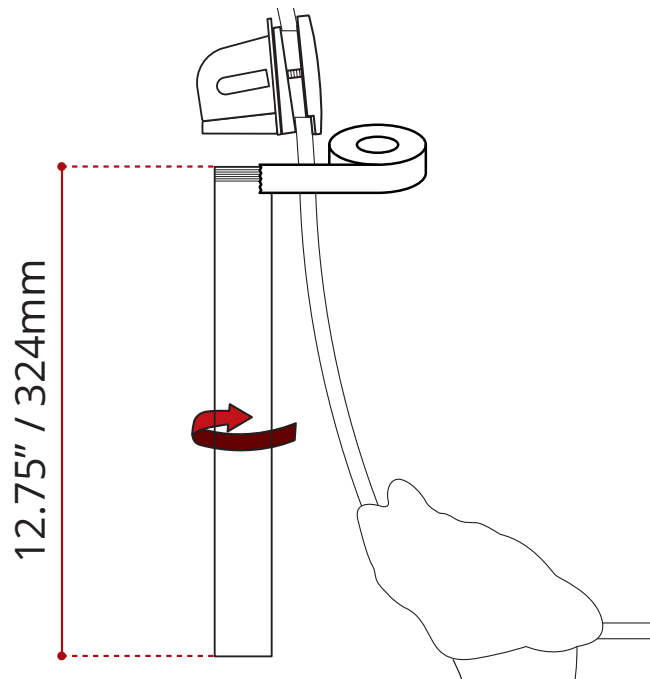
NO.	PART NAME	MODEL NUMBER
1	MAIN DECORATIVE POP-UP CAP	DA38-01
2	SEAL CLEAR GASKET	DA38-02
3	BRASS MECHANICAL ROD	DA38-03
4	MAIN UPPER DRAIN BODY	DA38-04
5	UPPER DRAIN GASKET	DA38-05
6	LOWER DRAIN GASKET	DA38-06
7	LOWER DRAIN BODY	DA38-07
8	BOTTOM CAP GASKET	DA38-08
9	BOTTOM CAP	DA38-09
10	EXTENSION PIPE	DA38-10
11	WING NUT	DA38-11
12	SEAL GASKET	DA38-12
13	ESCUTCHEON PIECE	DA38-13
14	TAIL PIECE	DA38-14
15	SEAL GASKET	DA38-12
16	WING NUT	DA38-11
17	T-BODY	DA38-17
18	SEAL GASKET	DA38-12
19	WING NUT	DA38-11
20	LONG CONNECTION PIPE	DA38-20
21	BACK OVERFLOW BODY	DA38-21
22	BACK OVERFLOW GASKET	DA38-22
23	FRONT OVERFLOW GASKET	DA38-23
24	FRONT DECORATIVE CAP	DA38-24
25	STAINLESS STEEL SCREW	DA38-25
26	SHORT CONNECTION PIPE	DA38-26



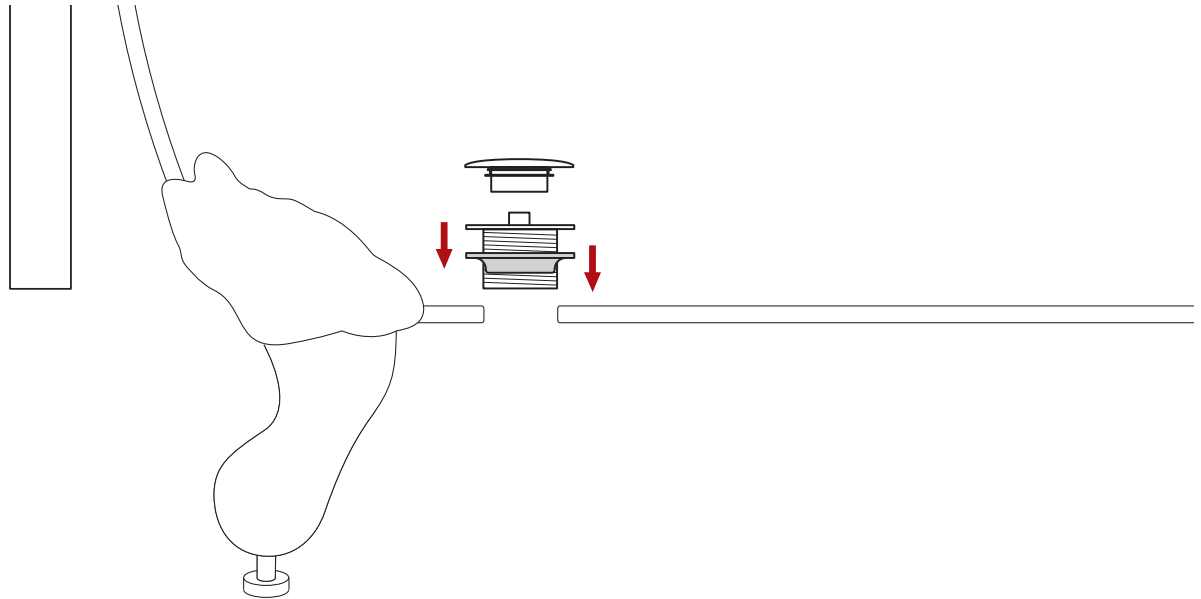
- 1 Install Overflow:** Place the back gasket (22) and overflow body (21) behind the tub. Inside, align the front gasket (23) and cap (24). Secure everything tightly with the screw (25).



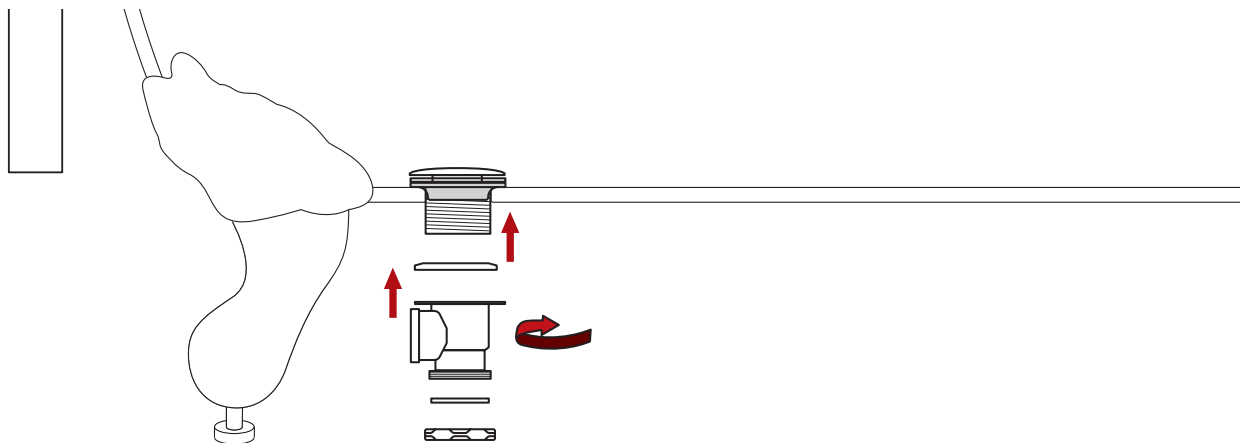
- 2 Attach Overflow Connection Pipe:** Apply Teflon tape to the threads of the long connection pipe (20). Screw it onto the overflow body (21) and tighten securely.



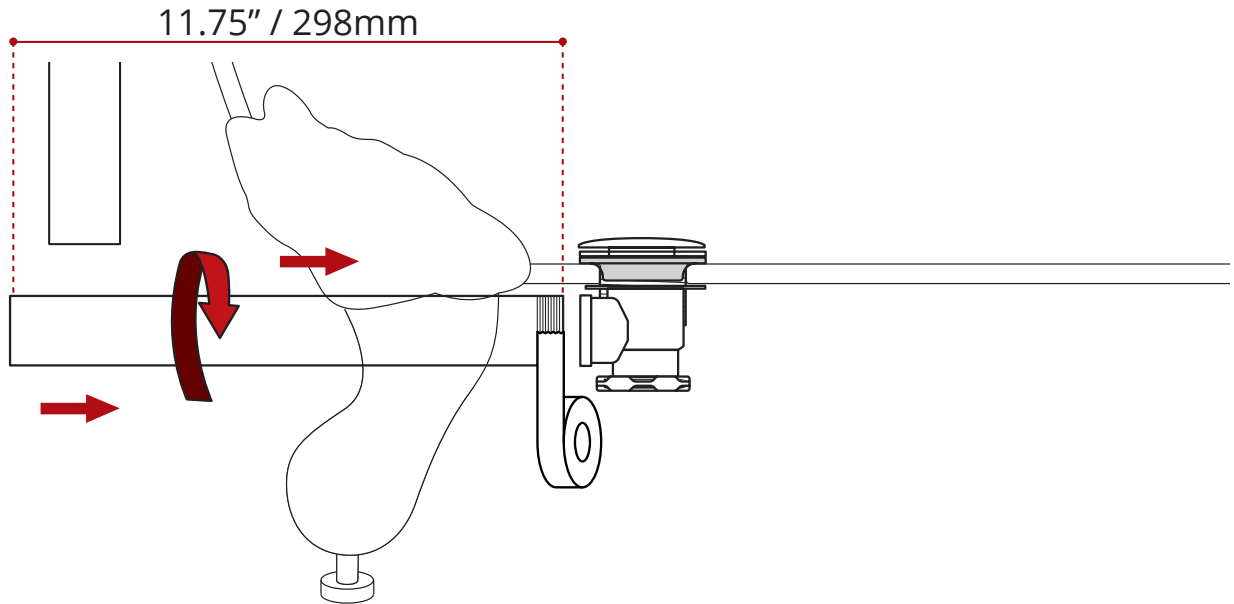
- 3 Install Main Drain:** Remove the lower drain gasket (6) from the main drain body (4) and set it aside, leave the upper gasket (5) attached. Insert the main drain body (4) through the bathtub drain hole.



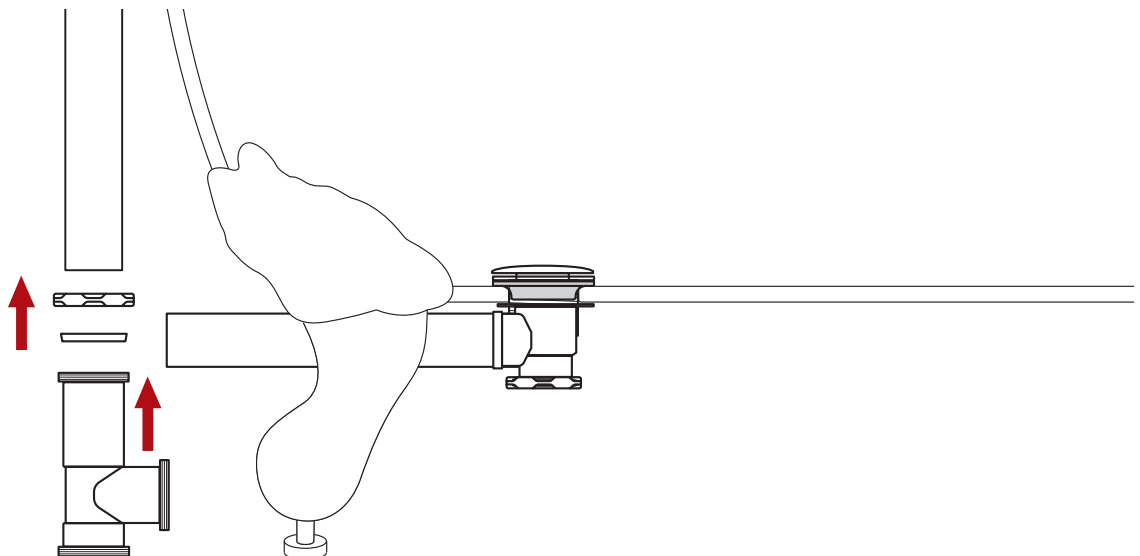
- 4 Attach Lower Drain Body:** From underneath the bathtub, reinstall the lower drain gasket (6).
- Screw the lower drain body (7) onto the main drain body (4). Make sure the drain tee opening faces the overflow.
 - Close and seal the lower drain body (7) using the bottom cap gasket (8) and bottom cap (9).



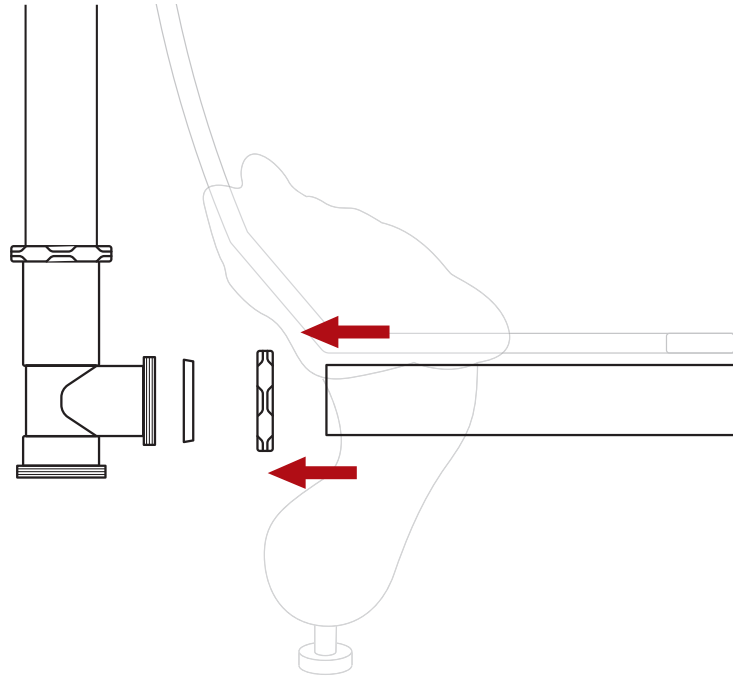
- 5** **Install Extension Pipe:** Apply Teflon tape to the threads of the extension pipe (10). Insert it into the lower drain body (7) and tighten firmly.



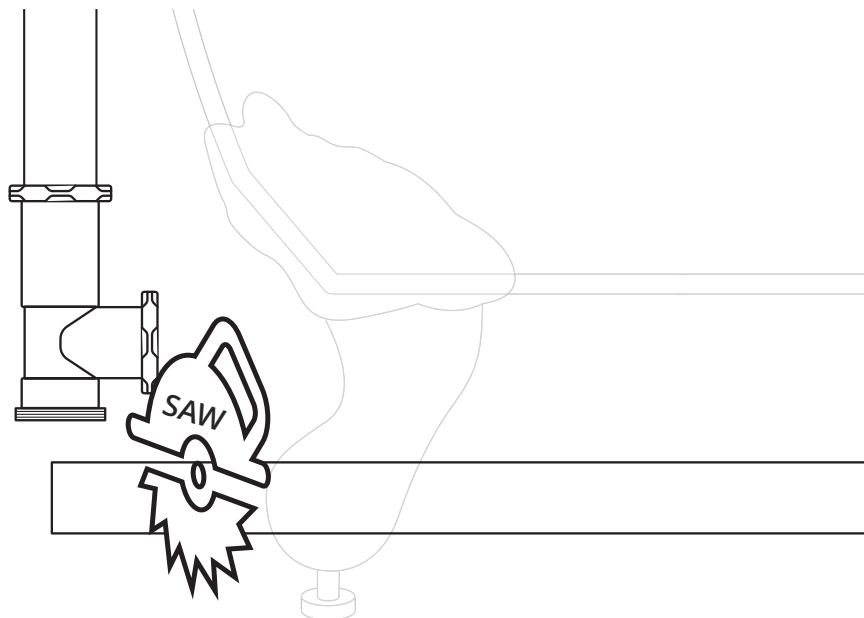
- 6** **Connect Overflow to T-Body:** Connect the T-body (17) to the connection pipe (20) using the seal gasket (15) and wing nut (19). Tighten firmly.



- 7** **Connect Extension Pipe:** Connect the extension pipe (10) to the T-body (17) using the seal gasket (18) and wing nut (19). Tighten firmly.

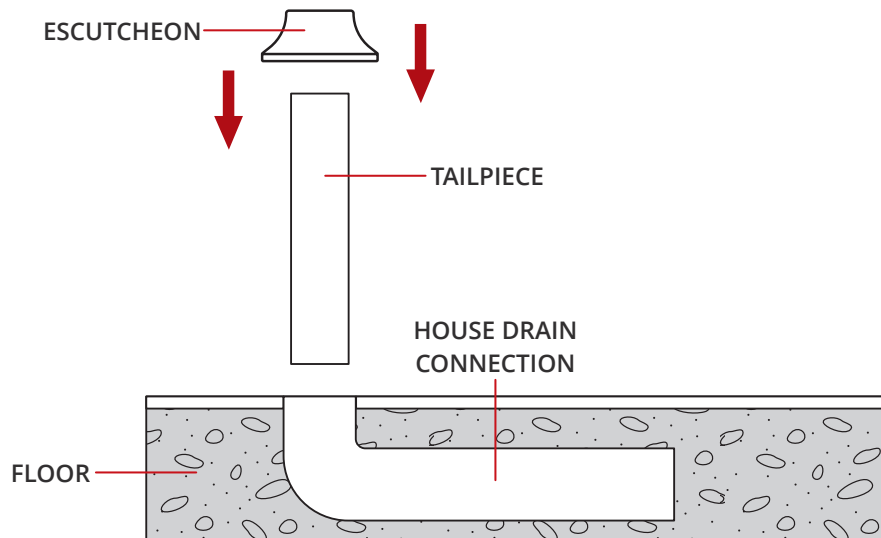


NOTE: If the extension pipe (10) is too long to align properly, cut it to size with a hacksaw.

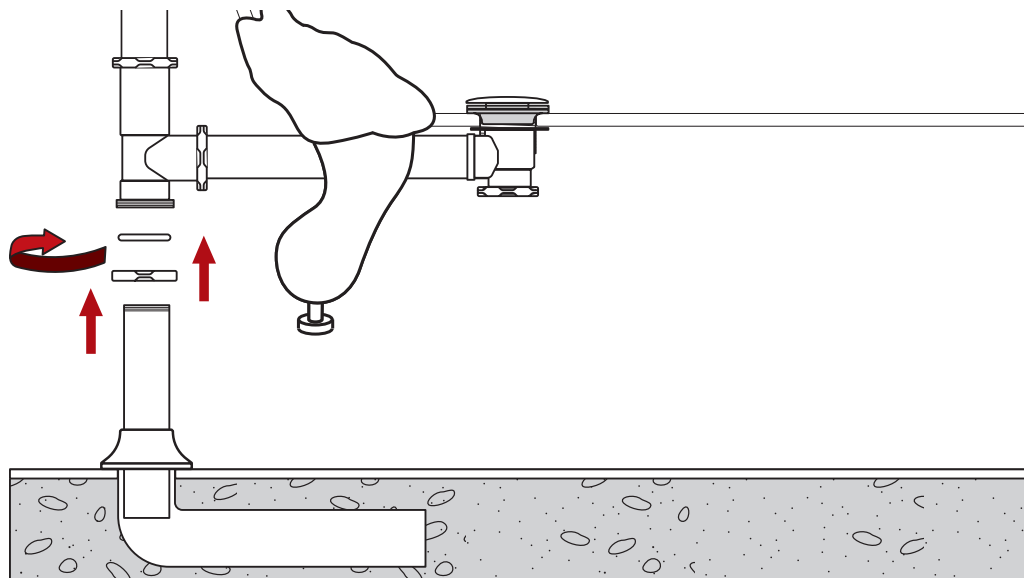


8 Install Tailpiece:

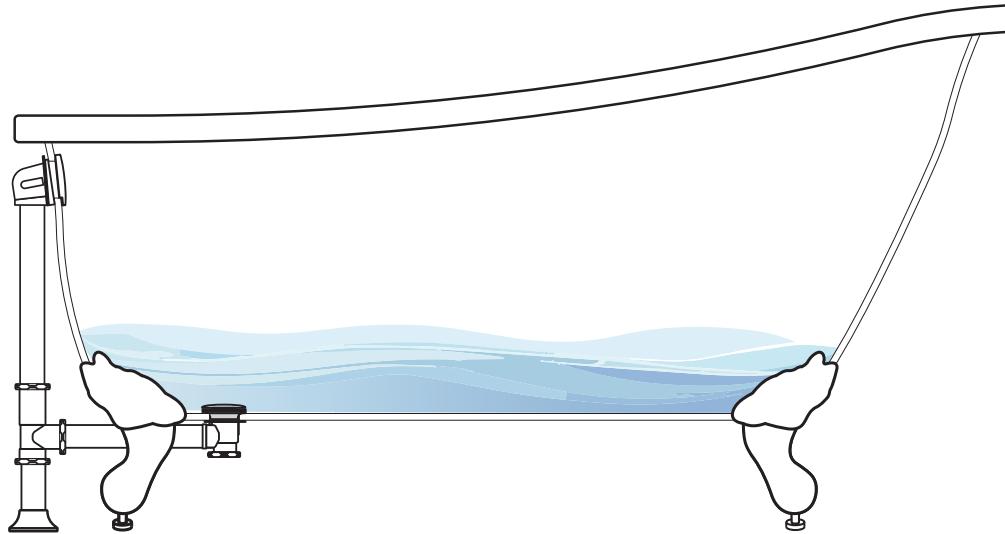
Slide the escutcheon (13) onto the tailpiece (14), then connect the tailpiece to the house drain connection.



9 Connect Tailpiece to T-Body: Connect the tailpiece (14) to the T-body (17) using the seal gasket (15) and wing nut (16). Tighten firmly.



10 **Leak Test:** Check all connections. Fill the bathtub with a small amount of water and inspect for leaks. Tighten connections if needed.



Additional Notes:

Do not overtighten metal or threaded components, as this may damage the parts or gaskets.

Make sure all gaskets are properly seated before tightening.

Confirm that the overflow, drain, T-body, extension pipe, and tailpiece are aligned before final tightening.