

DESCRIPTION:

- Stainless steel.
- Durable grid protects your kitchen sink against scratches from general daily use.
- Premium T-304 Stainless Steel Construction.
- Complies with CSA & IAPMO standards.

KITCHEN SINK OPTION

- SAPR3320BL
- SRR3219BL
- SRR2919A
- SRRJ3219BL

SHIPPING DIMENSIONS

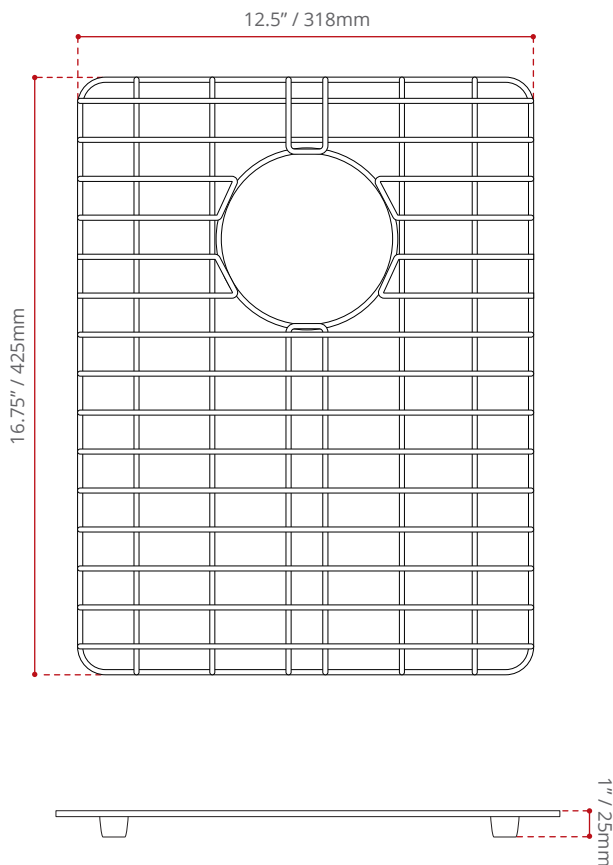
13 x 17.25 x 1.5" / 330 x 438 x 38mm

NET WEIGHT

1 kg / 2.2 lbs.

GROSS WEIGHT

1.5 kg / 3.3 lbs.



Measurements may vary \pm 5mm
- Diagram NOT to scale -