

COLOUR OPTIONS ARE MADE TO ORDER - NO REFUND - NO RETURN -

BLACK FINISH

MODEL No: BSSTOD7236L2 (LEFT HAND DRAIN)
MODEL No: BSSTOD7236R2 (RIGHT HAND DRAIN)

BISCUIT FINISH

MODEL No: BSSTOD7236L3 (LEFT HAND DRAIN)
MODEL No: BSSTOD7236R3 (RIGHT HAND DRAIN)

Valley's Barrier Free single threshold shower bases are engineered with a 2.5" ramp to allow wheelchair entry. Made with an integral anti-slip, textured bottom. Valley's acrylic shower bases are made out of high gloss, crack-resistant acrylic. Complies with CSA & IAPMO standards


CUSTOMIZE YOUR SHOWER BASE

ALL UPCHARGE OPTIONS ARE MADE TO ORDER - NO REFUND - NO RETURN -

AVAILABLE CUSTOMIZATION OPTIONS	MODEL No.
DOUBLE TILING FLANGE	C5

DESCRIPTION:

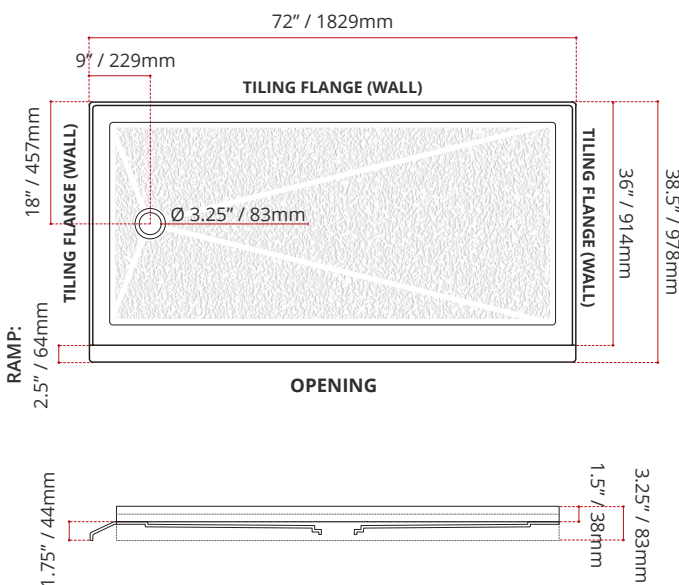
- Offset Drain (Left or Right)
- Single threshold
- High gloss / Crack-resistant acrylic
- **Textured bottom**
- Made in Canada
- Complies with CSA & IAPMO standards



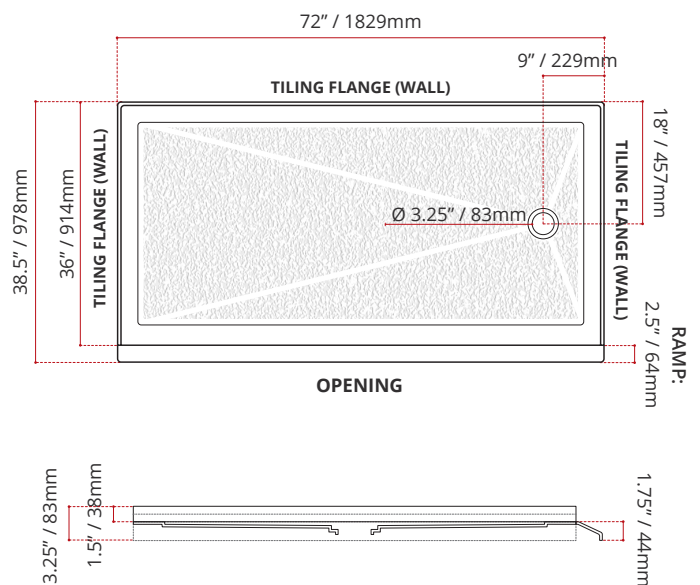
SHIPPING INFORMATION:

- Length: 74" / 1880mm
- Width: 40" / 1016mm
- Height: 9" / 229mm
- Net Weight: 38 kg / 83.7 lbs.
- Gross Weight: 40 kg / 88 lbs.

BSSTOD7236L1
(LEFT HAND DRAIN LOCATION)



BSSTOD7236R1
(RIGHT HAND DRAIN LOCATION)



DISCLAIMER: Measurements may vary ±1/4" (Diagram Not to scale)

