



**DESCRIPTION:**

- Variable speed & pulsation.
- 120 Volts.
- Hz: 60.
- 12 amp.
- Quiet performance.
- Air heater with 2 security protections for consumer safety.
- 600 Watt heater.

**SHIPPING DIMENSIONS**

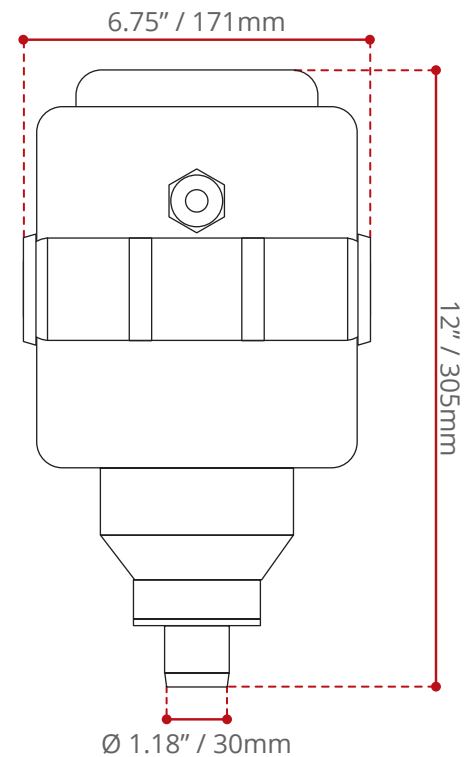
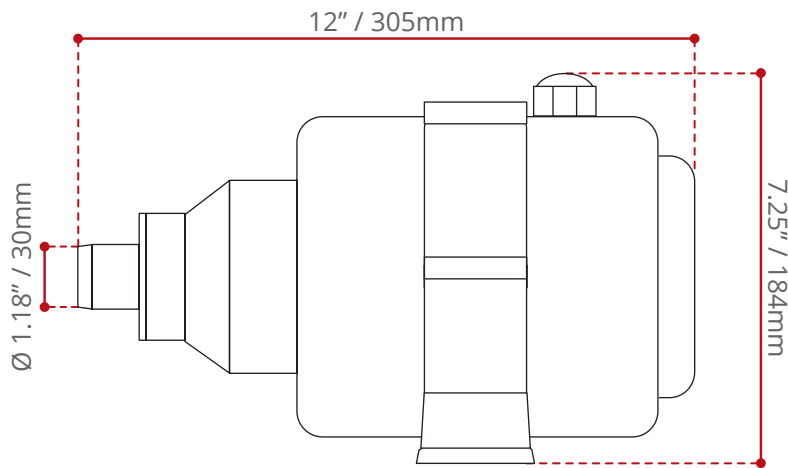
14 x 9 x 10" / 356 x 229 x 254mm

**NET WEIGHT**

1.5 kg / 3.3 lbs

**GROSS WEIGHT**

2 kg / 4.4 lbs



Measurements may vary ±5mm  
- Diagram NOT to scale -

**LC** **US**  
Complies With :  
CSA B24S1 (2004)  
CSA B45.5 (2002)  
ANSI Z124.1.2 (2005)