



Product images are for illustration purposes only. Actual product(s) may vary.

**DESCRIPTION:**

- Above counter Shila Stone basin
- Default finish White (Matte or Gloss)
- White oval drain cover Included.
- No overflow
- Drain assembly sold separately
- Stain, scratch and crack resistance
- Fabricated in Canada
- Complies with CSA & IAPMO standards

**SHIPPING INFORMATION:**

- Length: 23" / 584mm
- Width: 17" / 432mm
- Height: 7" / 178mm
- Net Weight: 7 kg / 15.4 lbs.
- Gross Weight: 7.5 kg / 16.5 lbs.

**DEFAULT FINISHES**

**MW**  
 MATTE WHITE  
 (COSMOMW)

**GW**  
 GLOSS WHITE  
 (COSMOGW)

**BASIN CUSTOM FINISHES (GLOSS FINISH ONLY)**

Colour Me **SERIES**



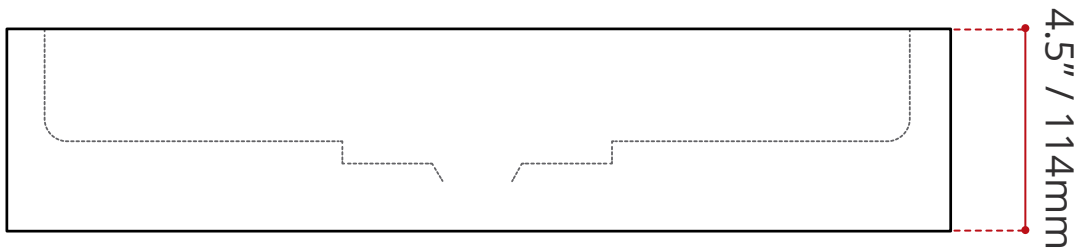
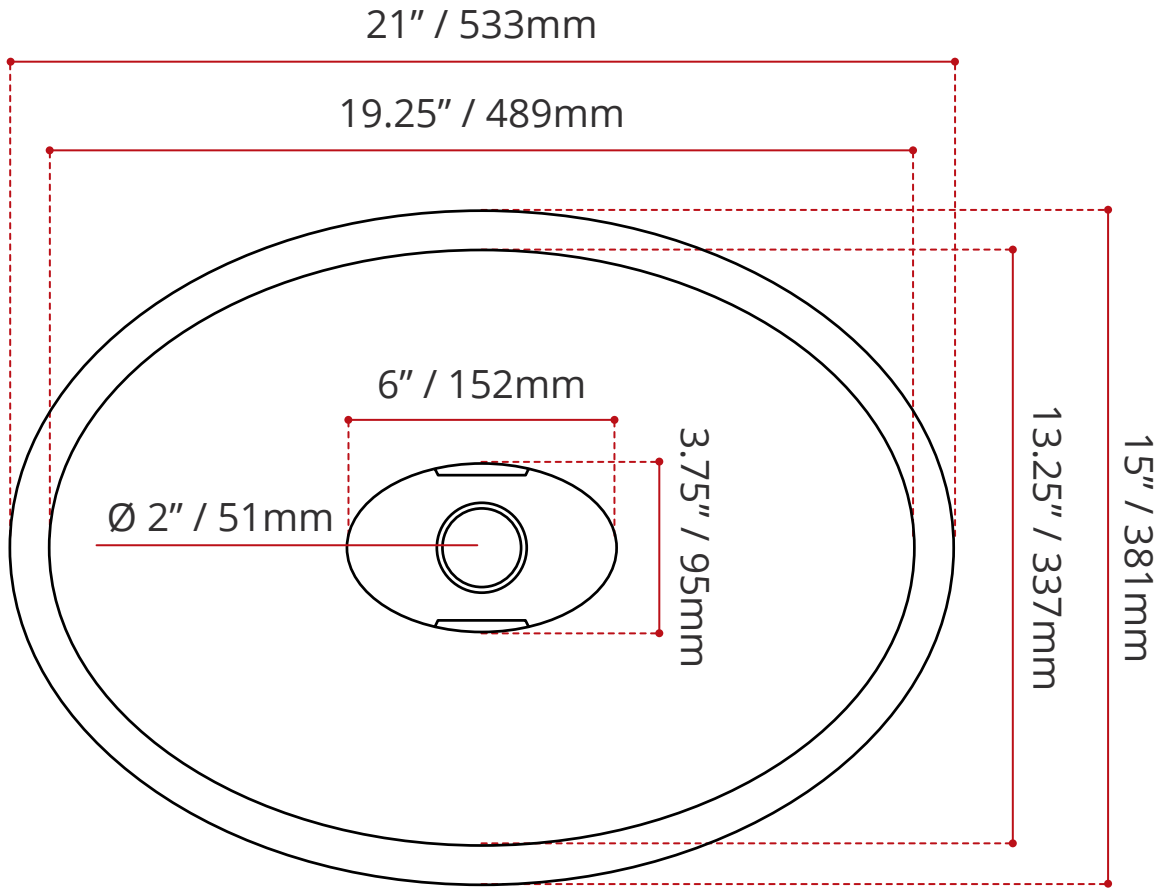
**COORDINATING ITEM**



**A9290CCP-1**  
 (CHROME)  
 OPEN GRID DRAIN



**A9290BN-1**  
 (BRUSHED NICKEL)  
 OPEN GRID DRAIN



Vessel - Drain portion Cutting Required

DISCLAIMER: Measurements may vary  $\pm \frac{1}{8}$ " (Diagram Not to scale)