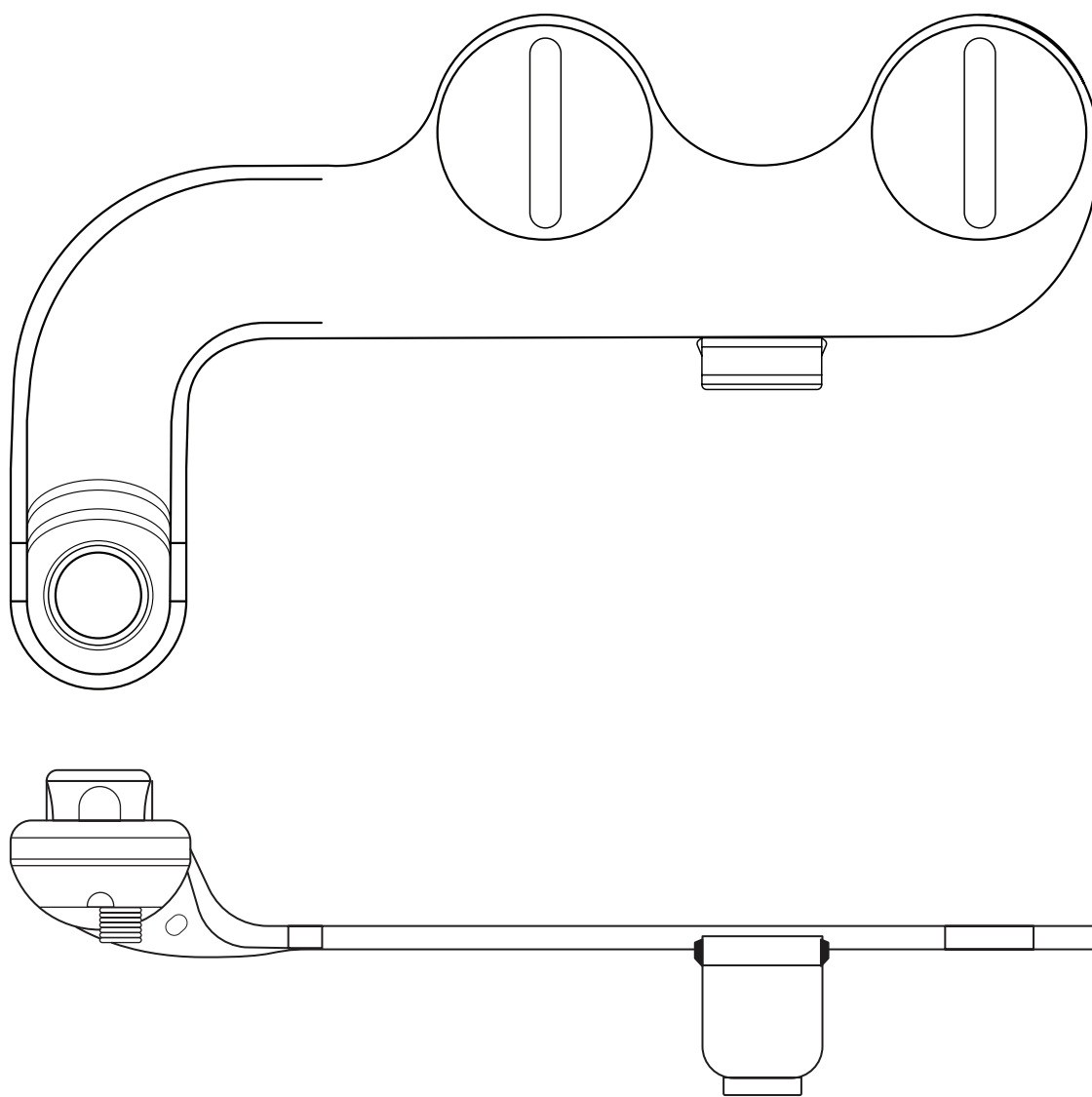


INSTALLATION GUIDE



INSTALLATION GUIDE

Thank you for choosing Valley Acrylic Products. This installation manual provides general information on the installation of our products.

BEFORE YOU BEGIN

- Read the instructions carefully before beginning the installation.
- Consult local building codes to make sure the installation complies with standards.
- Remove the unit from its packaging. Before disposing, packaging and taking unit from your sales person, inspect the unit to make sure it is in good shape.
- Should inspection reveal any damage or defect in the finish, Contact Us. The warranty does not cover damages or defects in the finish once the unit has been installed. Valley's responsibility for shipping damages ceases upon delivery of the product in good order to the carrier. All complaints regarding damage due to transport must be made directly to the carrier.
- It is recommended that you place the unit in the bathroom before you start. Sectional units should be disassembled if necessary. Conserve all nuts and bolts.

REQUIRED TOOLS

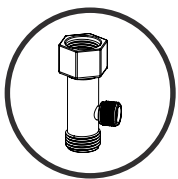


WRENCH

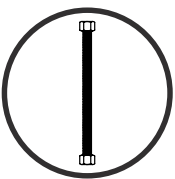


SCREWDRIVER

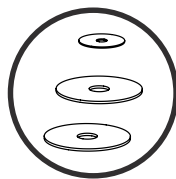
INCLUDED PARTS



ADAPTER



STAINLESS STEEL
BRAIDED HOSE



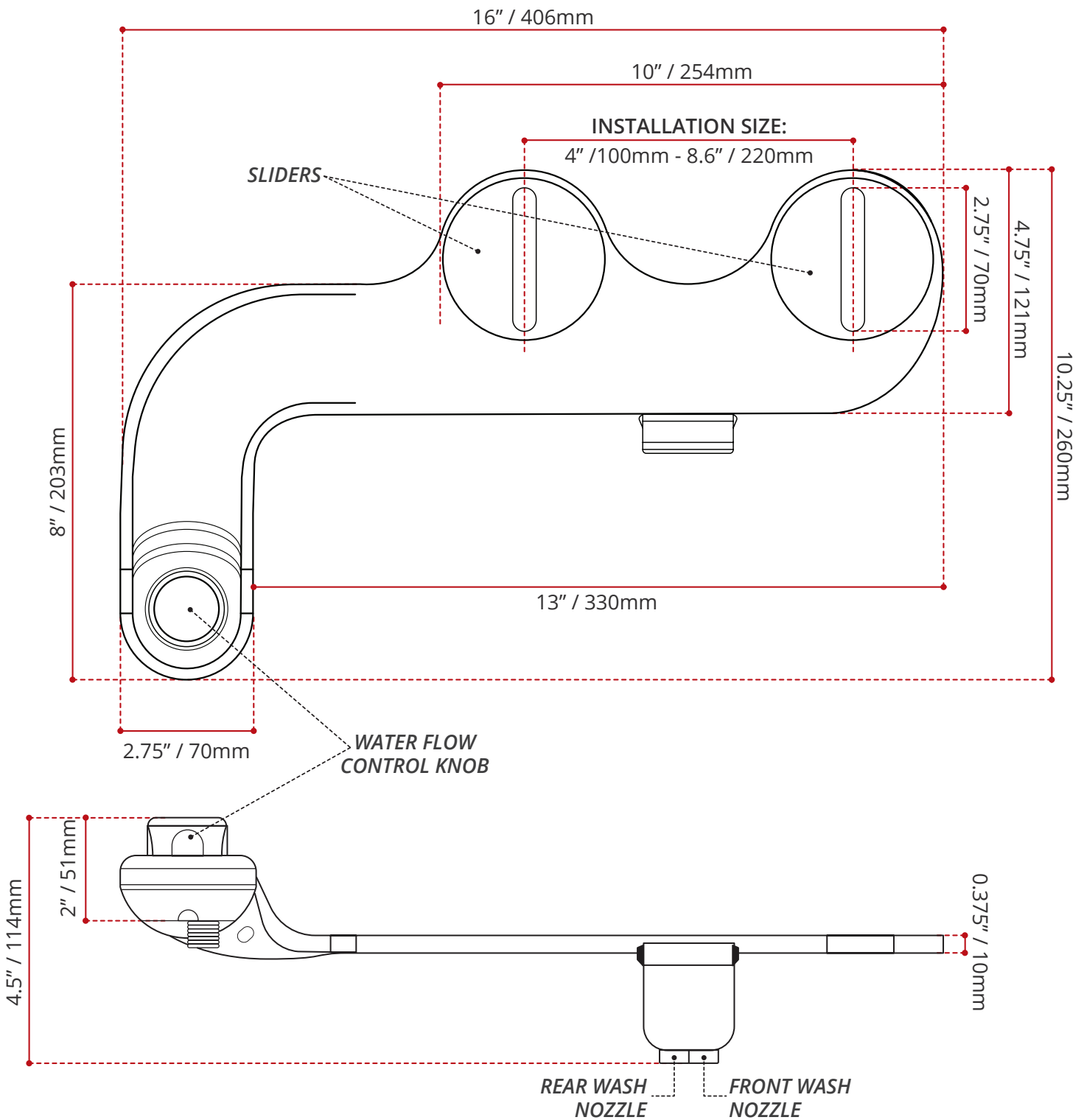
GASKETS

INSTALLATION GUIDE**SPECIFICATIONS**

VOLTAGE	Non-electric
WATER SUPPLY MODE	Connect to the cold water supply pipe directly
ANGLE OF NOZZLE	Non
WATER TEMPERATURE FOR SELF-CLEANING	Cold water
SELF-CLEANING	Yes
WATER TEMPERATURE	1°~ 35 °
ROOM TEMPERATURE	1°~ 40 °
WATER PRESSURE	0.07 MPa ~0.8 MPa
DISTANCE BETWEEN HOLES AXIS	100 ~ 220 mm

Valley Bidets are warrantied for residential use for a period of 1 year from the original purchase date, against any failure from improper manufacturing defects.

INSTALLATION GUIDE

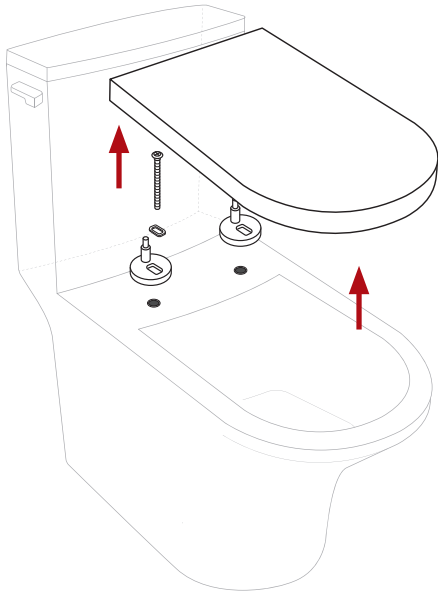


DISCLAIMER: Measurements may vary ± ¼" (Diagram Not to scale)

Valley Bidets are warranted for residential use for a period of 1 year from the original purchase date, against any failure from improper manufacturing defects.

INSTALLATION GUIDE

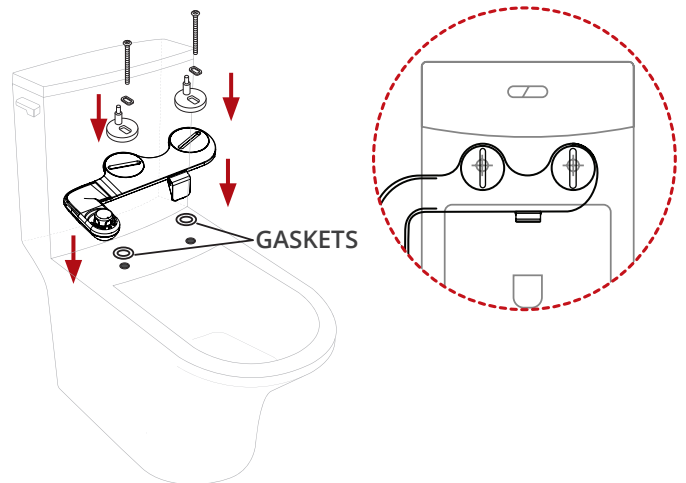
01 Remove the toilet seat from the toilet



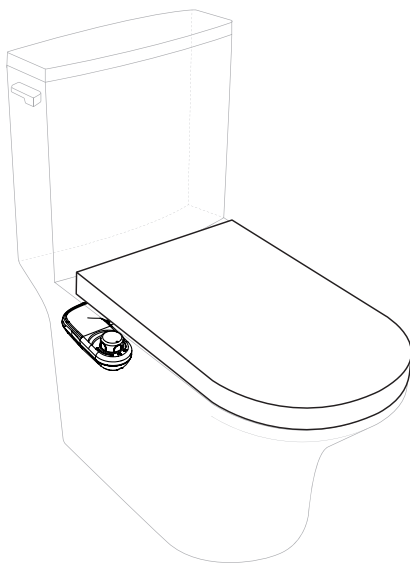
02 Place your CWB-93 bidet on top of your toilet and align the seat sliders with your toilet seat mounting holes.

Make sure the nozzle is centered to your toilet bowl for that precise spray of water.

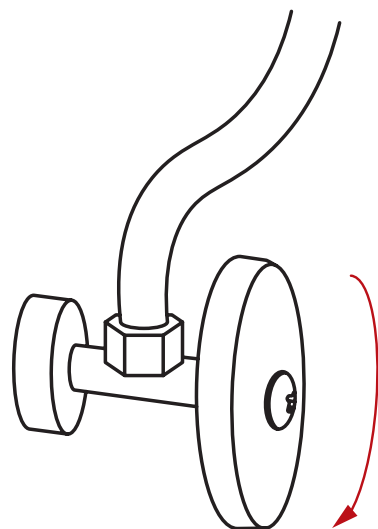
Adjust your CWB-93 bidet if necessary



03 Secure the toilet seat on top of the CWB-93 bidet by threading the toilet seat bolts through the seat fasteners and the mounting holes.

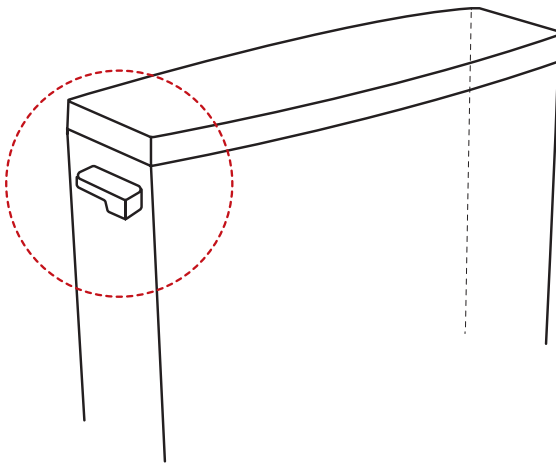


04 Turn off the water valve near the toilet.

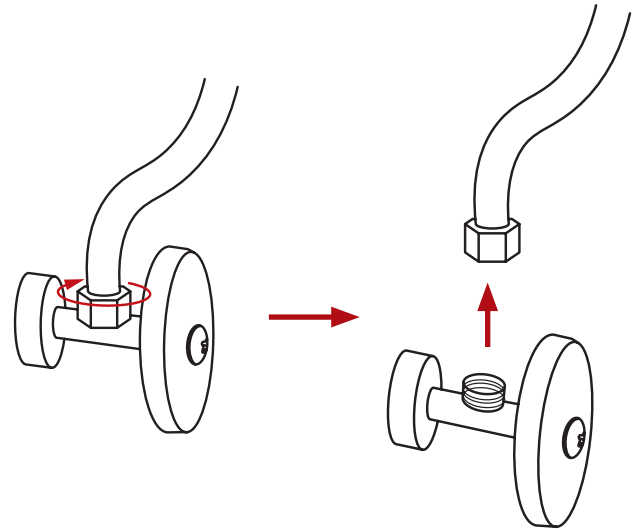


INSTALLATION GUIDE

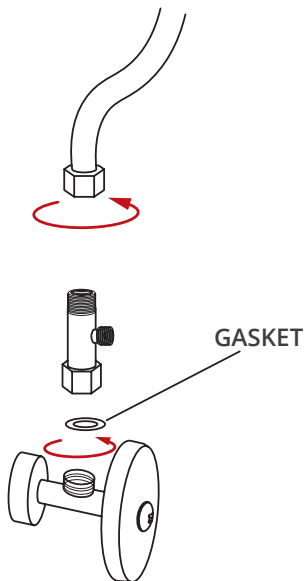
- 05** Flush your toilet to drain the tank completely. Hold down that flusher until it empties! (A couple inches of water is okay.)



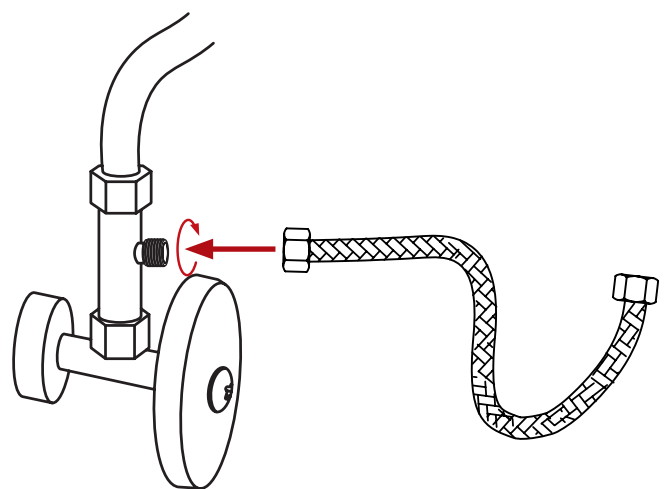
- 06** Disconnect the existing flexible hose from the valve. To unscrew the connection, turn left.



- 07** Place the rubber washer in the adapter. Screw the adapter onto the valve connection and then attach the flexible hose to the top of the adapter.
Do not over tighten

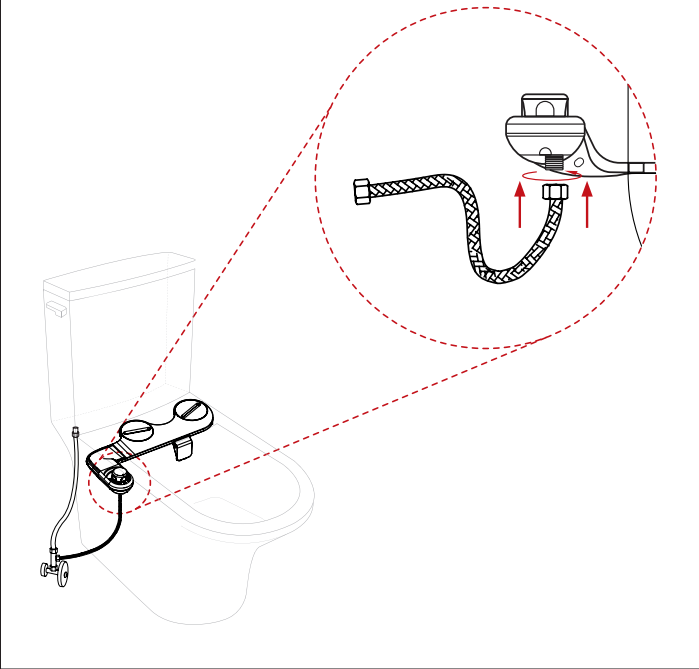


- 08** Attach the Stainless steel braided hose into the adapter and secure with the lock nut.

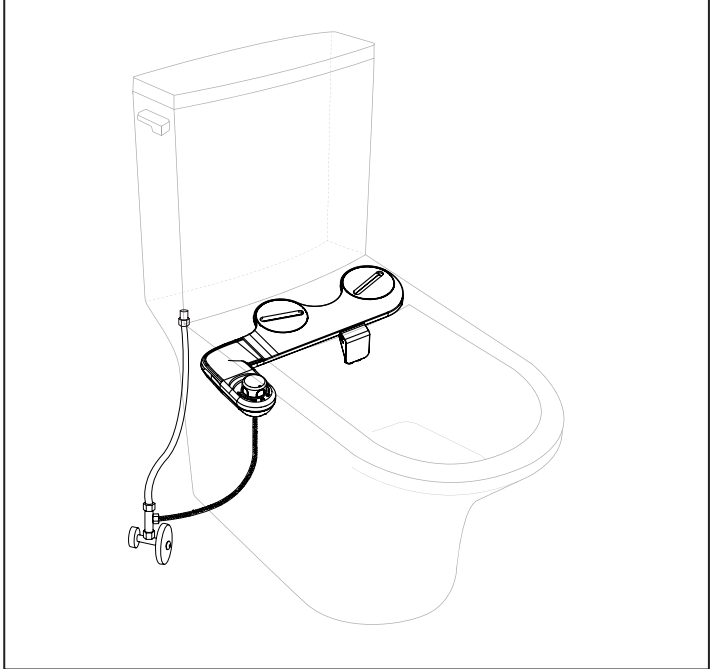


INSTALLATION GUIDE

- 09** Connect the other end of the Stainless steel braided hose into the bidet and secure with the lock nut.



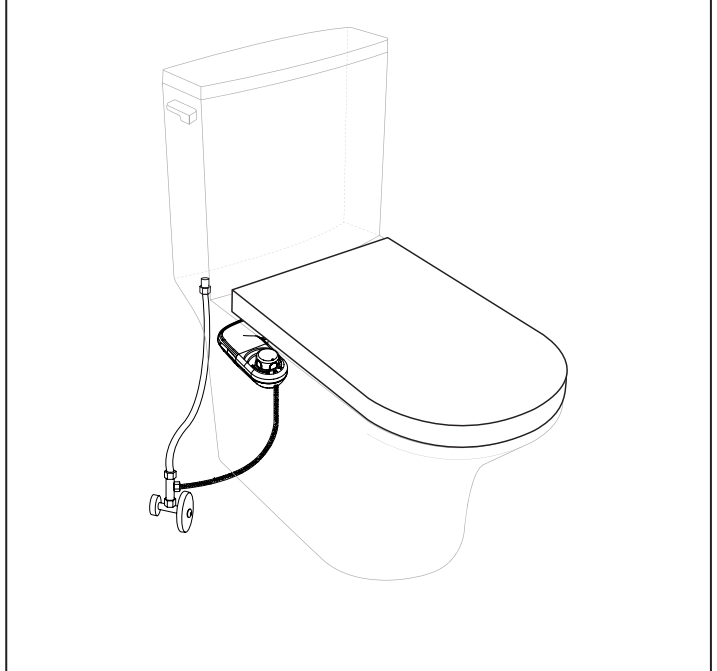
- 10** Make sure all the connections are secure and turn on the water supply.



- 11** Once all water connections have been made, check for possible leaks.



Enjoy your CWB-93 Valley Bidet



INSTALLATION GUIDE

TROUBLESHOOTING

ISSUES	MEASURES
<p>The spray nozzle have no water</p>	<ol style="list-style-type: none"> 1. The water supply is turned off 2. The water valve is closed 3. The spray nozzle is clogged 4. Low water pressure 5. Water supply pipe is bended
<p>Low water pressure</p>	<ol style="list-style-type: none"> 1. The water flow control knob is adjusted to low position 2. Water supply pipe is bended



Congratulations! You are now a part of the Valley Acrylic family.

