

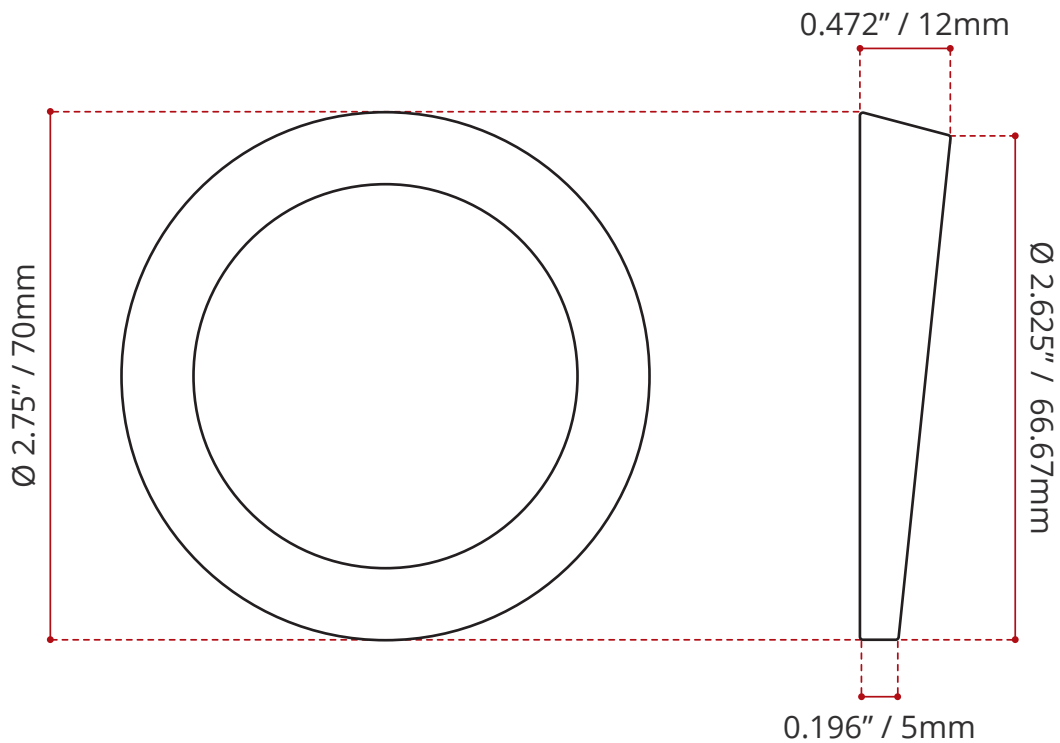


PRODUCT INFORMATION:

Back overflow gasket for old A38807 Waste and overflow

SHIPPING INFORMATION:

- Length: 5" / 127mm
- Width: 5" / 127mm
- Height: 5" / 127mm
- Net Weight: 0.5kg / 1.1lbs.
- Gross Weight: 0.750kg / 1.6lbs.



DISCLAIMER: Measurements may vary  $\pm \frac{1}{4}"$  (Diagram Not to scale)