



Product images are for illustration purposes only. Actual product(s) may vary.

DESCRIPTION:

- Above counter Shila Stone basin
- Default finish White (Matte or Gloss)
- White linear drain cover Included
- No overflow
- Drain assembly sold separately
- Stain, scratch and crack resistance
- Fabricated in Canada
- Complies with CSA & IAPMO standards

DEFAULT FINISHES

MW
 MATTE WHITE
 (2416MW)

GW
 GLOSS WHITE
 (2416GW)

BASIN CUSTOM FINISHES (GLOSS FINISH ONLY)

Colour Me SERIES



SHIPPING INFORMATION:

- Length: 26" / 660mm
- Width: 21" / 533mm
- Height: 10" / 254mm
- Net Weight: 28 kg / 61 lbs.
- Gross Weight: 30 kg / 66 lbs.

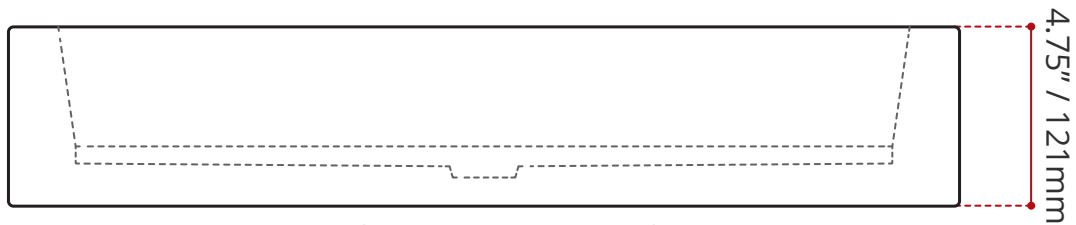
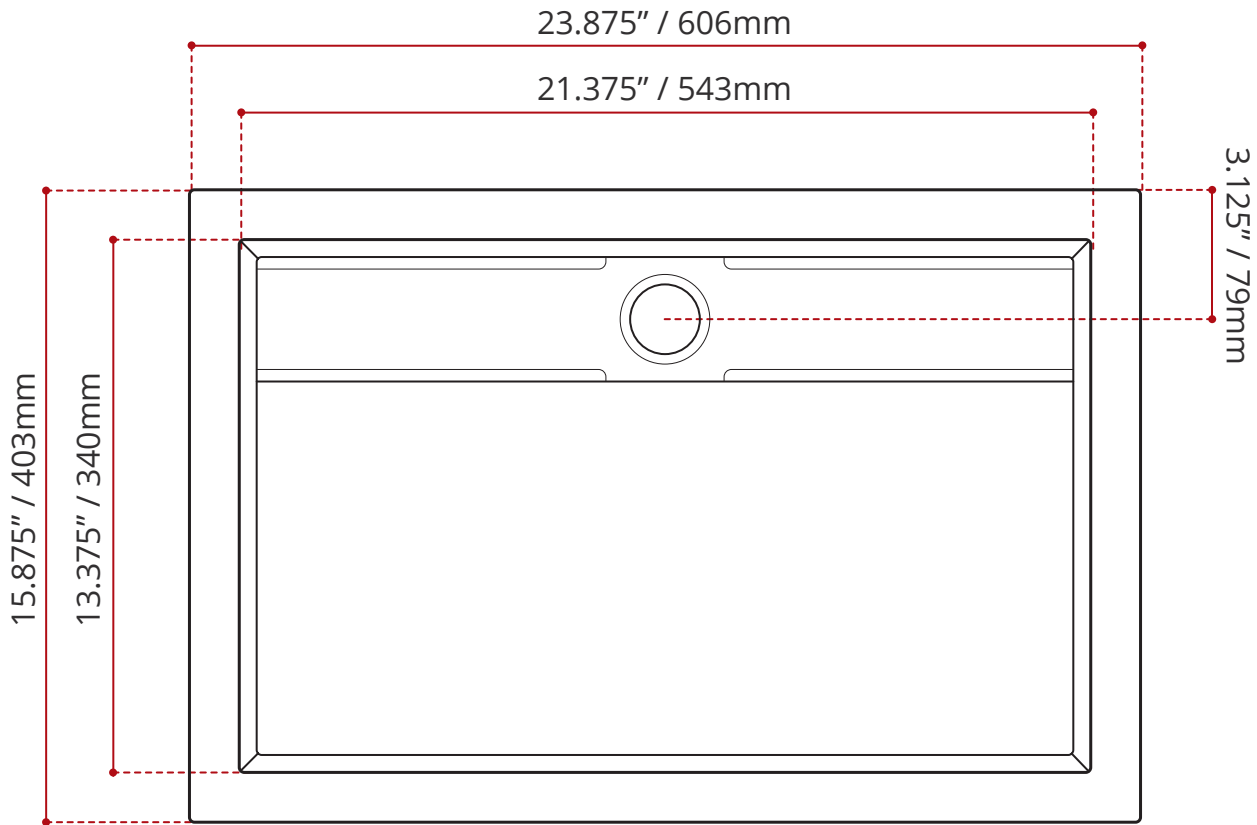
COORDINATING ITEM



A9290CCP
 (CHROME)
 OPEN GRID DRAIN
 WITH DECORATIVE CAP



A9290BN
 (BRUSHED NICKEL)
 OPEN GRID DRAIN
 WITH DECORATIVE CAP



Vessel - Drain portion Cutting Required

DISCLAIMER: Measurements may vary $\pm \frac{1}{8}$ " (Diagram Not to scale)