

000.136.000

UNIVERSAL ROUGH-IN FOR FREESTANDING TUB FILLER
INSTALLATION MANUAL

TO USE WITH ANY VALLEY ACRYLIC
FREESTANDING FAUCET

Thank you for choosing Valley Acrylic Products. This installation manual provides general information on the installation of our products.

BEFORE YOU BEGIN

- Read all instructions before beginning installation.
- Consult local building codes to make sure the installation complies with standards.
- Remove the unit from its packaging. Before disposing of packaging, inspect the unit to make sure it is in good condition.
- Should inspection reveal any damage or defect in the finish, Contact Valley Acrylic Bath Ltd. at 1-877-398-8827. The warranty does not cover damages or defects in the finish once the unit has been installed. The manufacturer's responsibility for shipping damages ceases upon delivery of the product in good order to the carrier. All complaints regarding damage due to transport must be made directly to the carrier.

CAUTION

RISK OF PERSONAL INJURY OR PRODUCT DAMAGE. HANDLE WITH CARE. PRODUCT CAN BREAK, CHIP OR CAUSE INJURY IF HANDLED CARELESSLY.

WE RECOMMEND THE INSTALLATION OF THIS PRODUCT BE DONE BY A LICENSED PROFESSIONAL PLUMBER.

REQUIRED TOOLS



Teflon Tape



Silicone Gun



Philips screwdriver



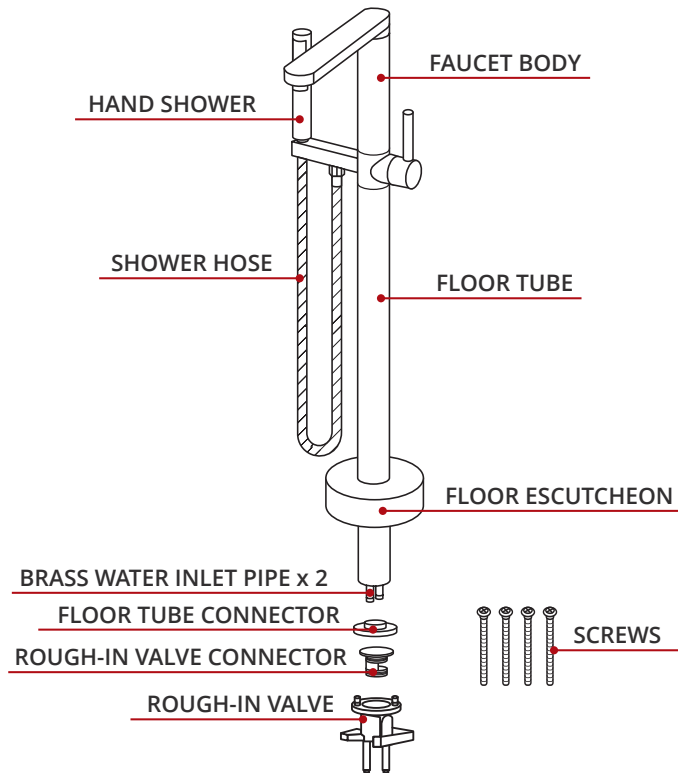
Pliers



Adjustable wrench



Before assembly, flush the water supply pipes thoroughly to drain debris inside (allow the water to run with the main stopcock open for 3min), otherwise dirty particles might affect the function of the faucet.



! SHUT OFF WATER SUPPLIES. !

01 4" / 102mm

BATHTUB

MAX 2.5" / 63 mm

REINFORCEMENT

1.1 Place the rough-in, maintaining a 4" / 102mm distance from the bathtub.

02 GUIDE PLATE

2.1 Position the guide plate on the floor, marking both the screw and hole locations accurately.

SUBFLOOR

REINFORCEMENT

03

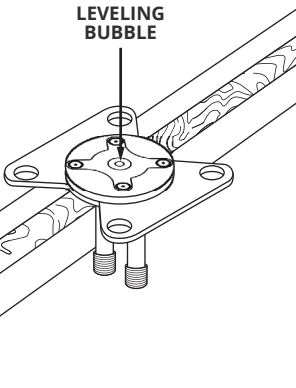
3.1 Drill a \varnothing 2 1/2" (64mm) hole (Max. Diameter)

3.2 Drill four (4) x 1/2" (13mm) holes.

\varnothing 2.5" / 64mm

\varnothing 0.5" / 13mm

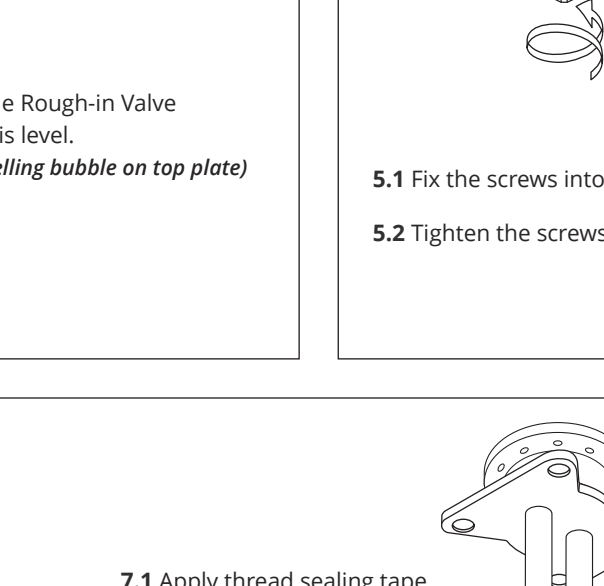
04



LEVELING BUBBLE

4.1 Place the Rough-in Valve ensuring it is level.
(refer to levelling bubble on top plate)

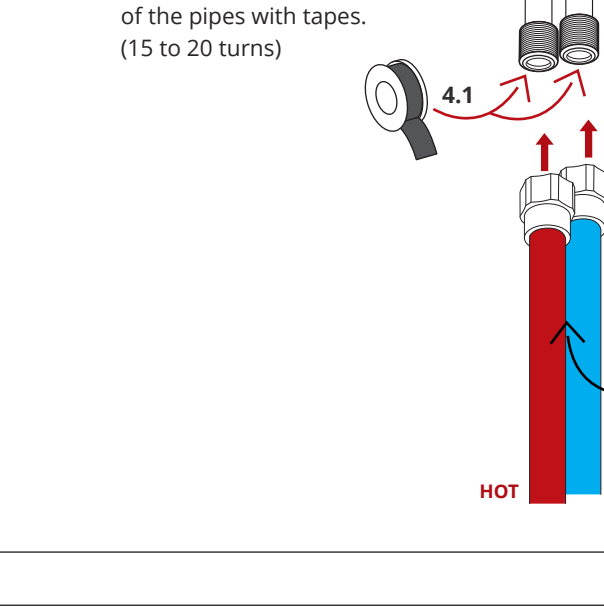
05



5.1 Fix the screws into the holes

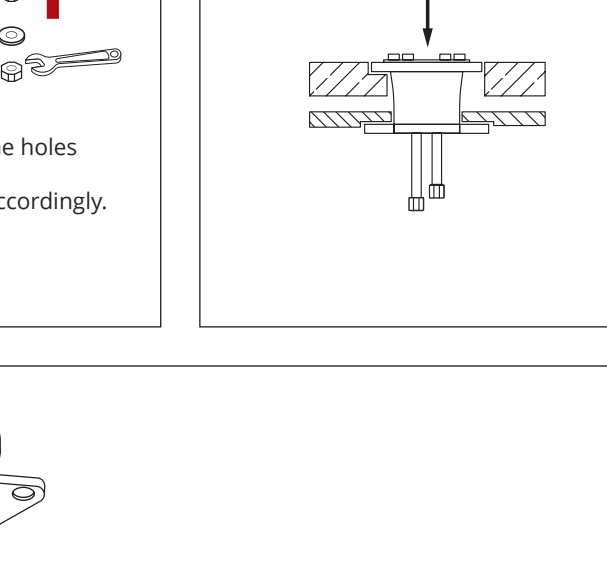
5.2 Tighten the screws accordingly.

06



ROUGH-IN VALVE
(needs to be flushed to the finished floor as shown)

07



7.1 Apply thread sealing tape
Wrap the threads on both the end of the pipes with tapes.
(15 to 20 turns)

4.1 **4.2**

7.2 Connect the water supplies to the Rough-in Valve.

PIPE 5" MINIMUM

HOT **COLD**

WARRANTY

Valley Bath & Kitchen Freestanding Faucets and Universal Rough-in have a limited warranty for residential use for a period of **1 year** from the original purchase date, against any failure from improper manufacturing defects.



Congratulations! You are now a part of the Valley Bath & Kitchen family, and an owner of a great product!