

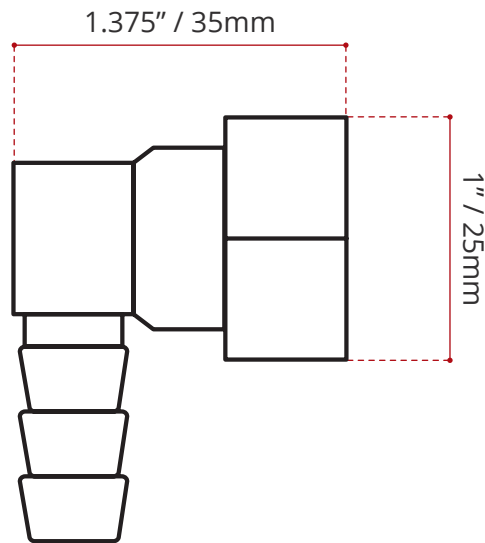
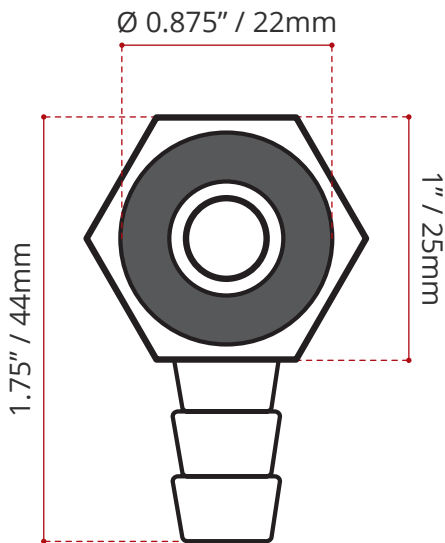


PRODUCT INFORMATION:

- Hose connector adapter for VF865016 Shower Panel

SHIPPING INFORMATION:

- Length: 5" / 127mm
- Width: 5" / 127mm
- Height: 5" / 127mm
- Net Weight: 0.5kg / 1.1lbs.
- Gross Weight: 0.750kg / 1.6lbs.



DISCLAIMER: Measurements may vary ± ¼" (Diagram Not to scale)