

# JDZTCD6032 BLACK

SHILA STONE ZERO THRESHOLD CENTER DRAIN SHOWER BASE

STAINLESS STEEL DRAIN COVER NOT INCLUDED. SOLD SEPARATELY




Product images are for illustration purposes only. Actual product(s) may vary.

MATTE BLACK FINISH	GLOSS BLACK FINISH
JDZTCD6032MB	JDZTCD6032GB



**DESCRIPTION:**

- Zero threshold shower base (No tiling flange)
- Made from Shila Stone cast resin
- Stain, scratch and crack resistance
- Hygienic material
- Textured bottom for anti-slip purposes
- Center drain location
- 12ft. tiling flange included (it can be installed as a single, double, triple and zero threshold base.)
- Made in Canada
- Complies with CSA & IAPMO standards



ENVIRO SEAL

**DRAIN COVER**  
Exclusive stainless steel drain cover  
**SOLD SEPARATELY**




**TEXTURE BOTTOM**  
Natural hand-made texture that turn your JADE shower base in a unique product



**SITE SIZEABLE**  
Cut/resize your JADE shower base to specific size

**ADA COMPLIANT**



*ADA compliant when product is installed flush to the floor for easy roll-in access for wheelchair.*

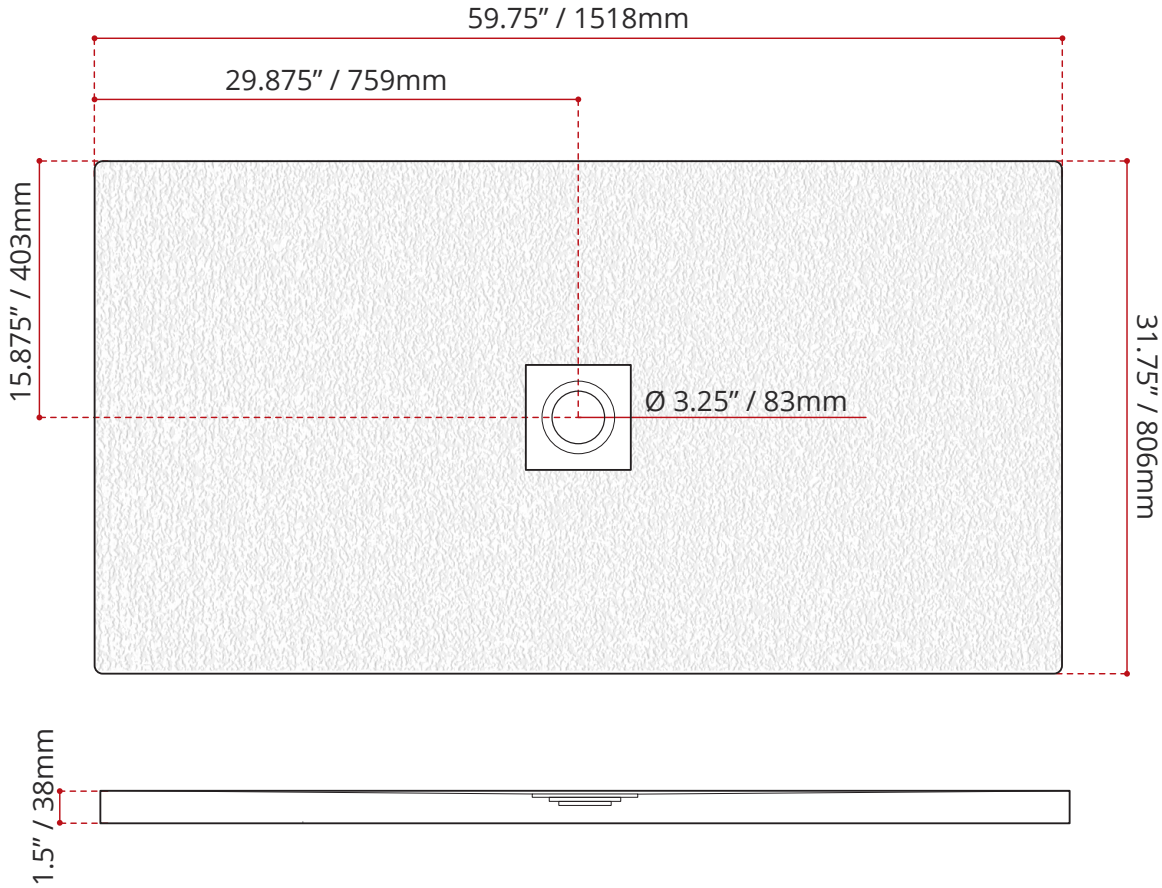
**SHIPPING INFORMATION:**

- Length: 62" / 1575mm
- Width: 34" / 864mm
- Height: 5" / 127mm
- Net Weight: 66 kg / 145 lbs
- Gross Weight: 71 kg / 157 lbs

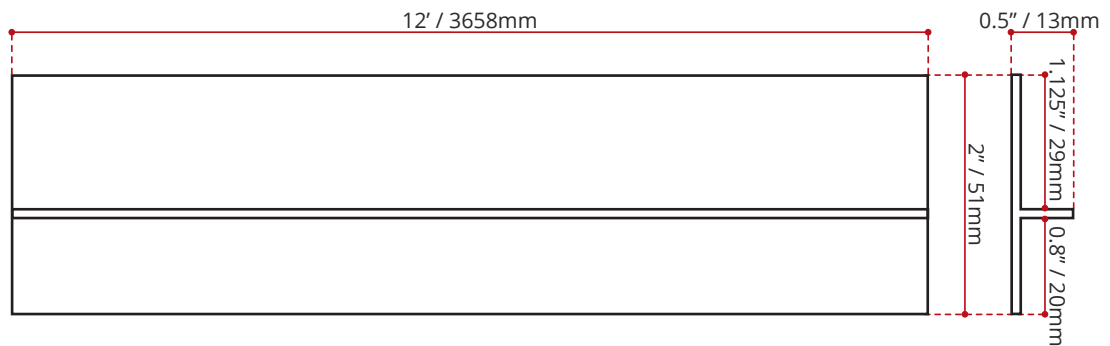


# JDZTCD6032 BLACK

SHILA STONE ZERO THRESHOLD CENTER DRAIN SHOWER BASE



## TILING FLANGE SPEC



**DISCLAIMER:**  
Measurements may vary  $\pm \frac{1}{4}$ "  
(Diagram Not to scale)



## JADE SHOWER BASE CUTTING OPTIONS

*If exposed edges of the shower (those that are not sitting up against a wall) are being cut, please note that the edge will not be finished. The customer can purchase a touch-up kit to finish on site, or Valley can factory-finish at an additional cost. (Please speak to a Valley representative for further information.)*

