

STAINLESS STEEL DRAIN COVER NOT INCLUDED. SOLD SEPARATELY

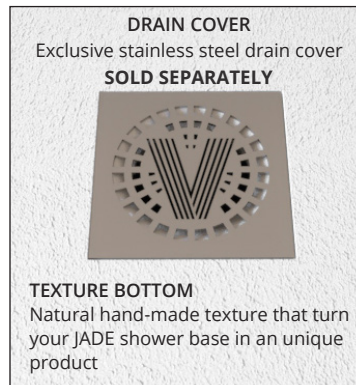


Product images are for illustration purposes only. Actual product(s) may vary.

MATTE WHITE FINISH	GLOSS WHITE FINISH
JDZTOD6036MW	JDZTOD6036GW

DESCRIPTION:

- Zero threshold shower base (No tiling flange)
- Made from Shila Stone cast resin
- Stain, scratch and crack resistance
- Hygienic material
- Textured bottom for anti-slip purposes
- Off-set drain location
- 12ft. tiling flange included (it can be installed as a single, double, triple and zero threshold base.)
- Made in Canada
- Complies with CSA & IAPMO standards



DRAIN COVER
 Exclusive stainless steel drain cover
SOLD SEPARATELY



ADA COMPLIANT



ADA compliant when product is installed flush to the floor for easy roll-in access for wheelchair.

SHOWER BASE CUSTOM FINISHES (GLOSS FINISH ONLY)



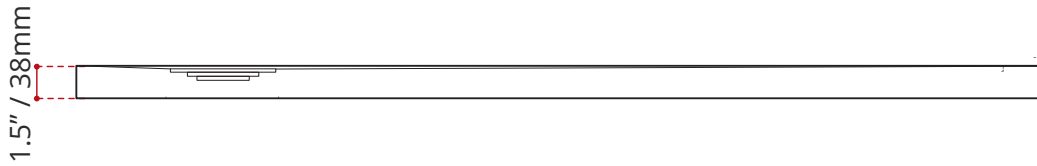
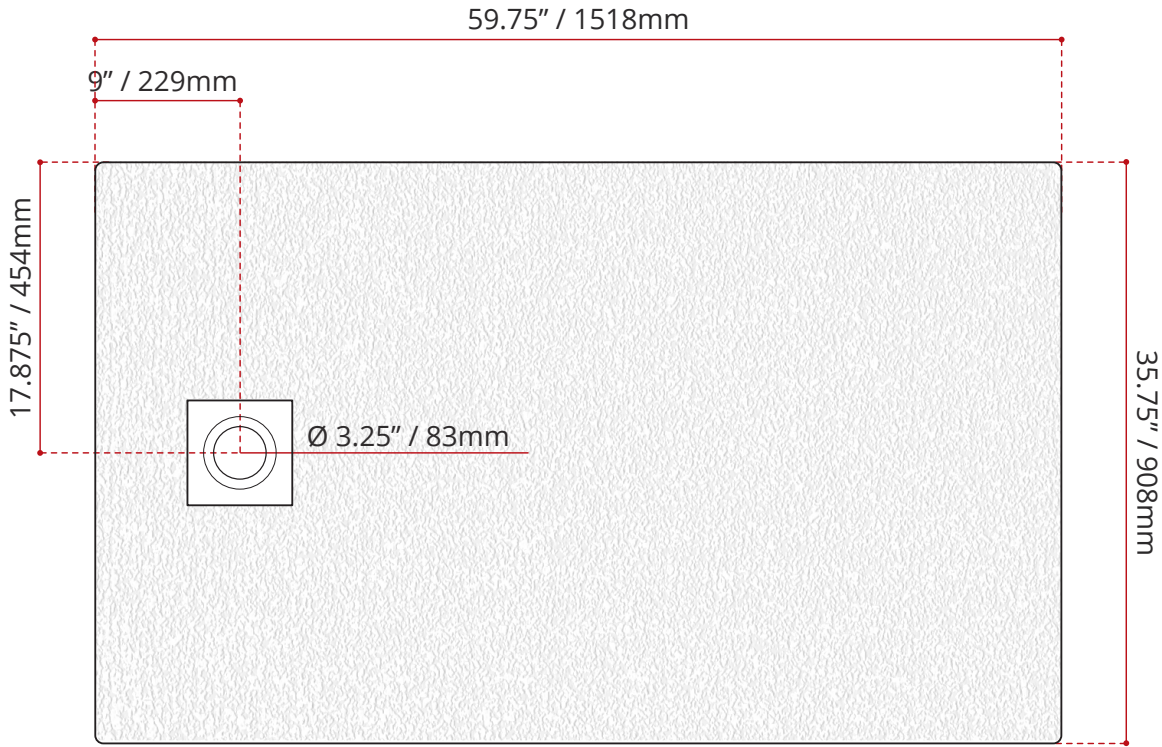
MARBLE



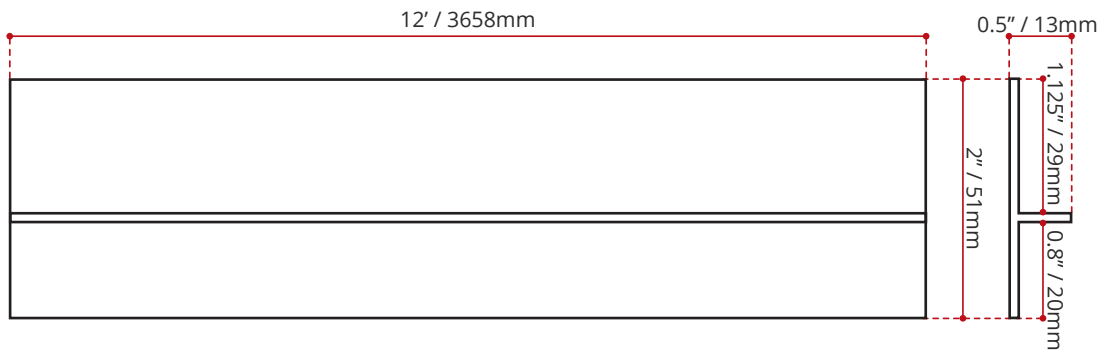
INK

SHIPPING INFORMATION:

- Length: 62" / 1575mm
- Width: 38" / 965mm
- Height: 5" / 127mm
- Net Weight: 71 kg / 157 lbs
- Gross Weight: 76 kg / 168 lbs



TILING FLANGE SPEC



DISCLAIMER:

Measurements may vary $\pm \frac{1}{4}$ "
 (Diagram Not to scale)

JADE SHOWER BASE CUTTING OPTIONS

If exposed edges of the shower (those that are not sitting up against a wall) are being cut, please note that the edge will not be finished. The customer can purchase a touch-up kit to finish on site, or Valley can factory-finish at an additional cost. (Please speak to a Valley representative for further information.)

