



Product images are for illustration purposes only. Actual product(s) may vary.

MODEL No.	FINISH
959MW	MW MATTE WHITE
959GW	GW GLOSS WHITE

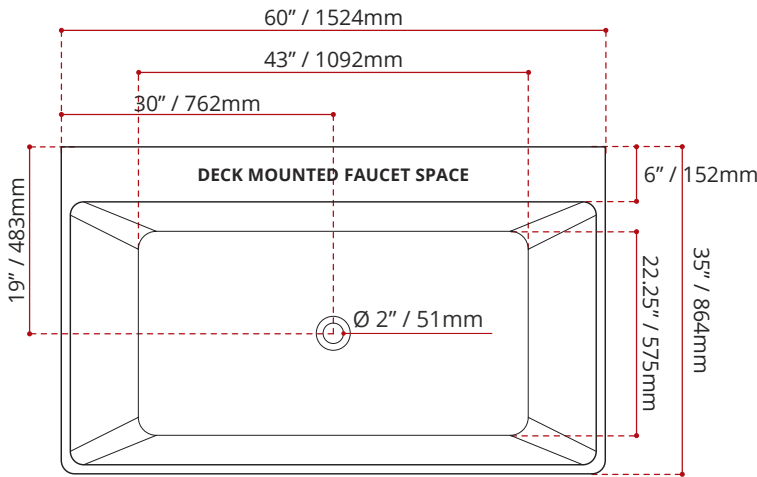
DIMENSIONS	WATER DEPTH	CAPACITY
<ul style="list-style-type: none"> Length: 60" / 1524mm Width: 35" / 864mm Height: 24" / 610mm 	14" / 356mm Drain to overflow	59 gal. 223 litres of water

PRODUCT INFORMATION:

Valley's JASPER is a freestanding bath that exudes class, with its precise and clean design. This bath allows for wall-mount install with open access at the back. A spacious deck is great for mounting any faucets or bath fillers of your choice. This bathtub is Made in Canada out of our Shila Stone, a superior material that's highly durable and exceptionally strong. Our Shila Stone has amazing insulation properties that provides heat retention, and is also scratch and stain resistant. *This tub comes with an integral slotted overflow and a chrome pop-up drain is included.* Complies with CSA & IAPMO standards.

SHIPPING INFORMATION:

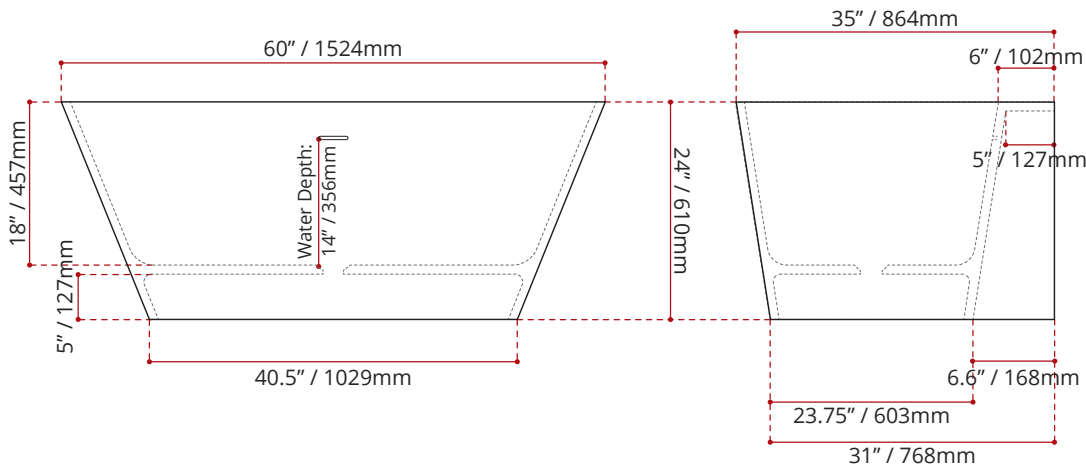
- Length: 63" / 1600mm
- Width: 37" / 940mm
- Height: 26" / 660mm
- Net Weight: 150 kg / 330 lbs.
- Gross Weight: 180 kg / 397 lbs.



CUSTOMIZE YOUR TUB

ALL UPCHARGE OPTIONS ARE MADE TO ORDER
- NO REFUND - NO RETURN -

EXTERIOR FINISH OPTION



DISCLAIMER: Measurements may vary ± ¼" (Diagram Not to scale)

