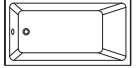
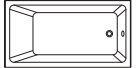




Product images are for illustration purposes only. Actual product(s) may vary.

PRODUCT INFORMATION:

- Modern style
- High gloss / Crack-resistant acrylic
- Plain skirt
- Complies with CSA & IAPMO standards
- End drain

| WHITE FINISH | | |
|--------------|---------------------------|---|
| MODEL No. | | |
| 2711 | LEFT HAND DRAIN LOCATION |  |
| 2721 | RIGHT HAND DRAIN LOCATION |  |

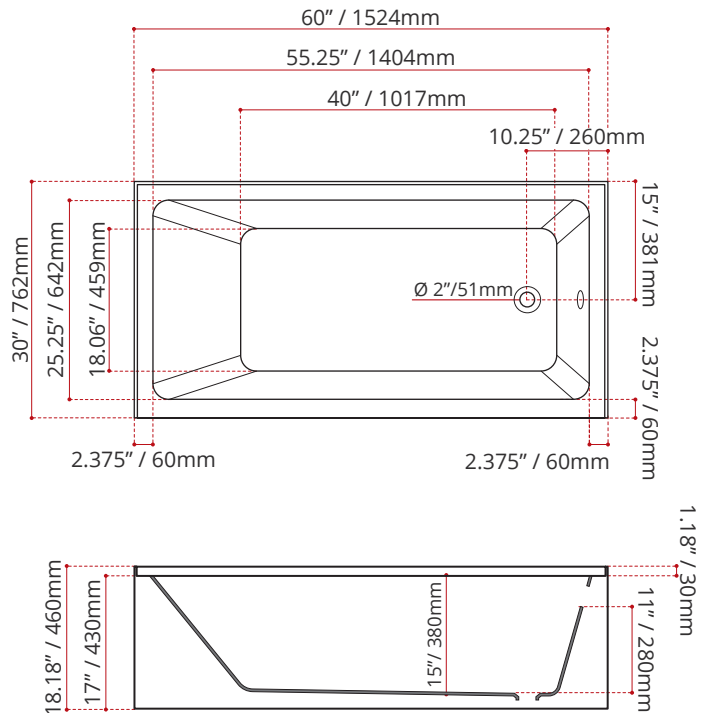
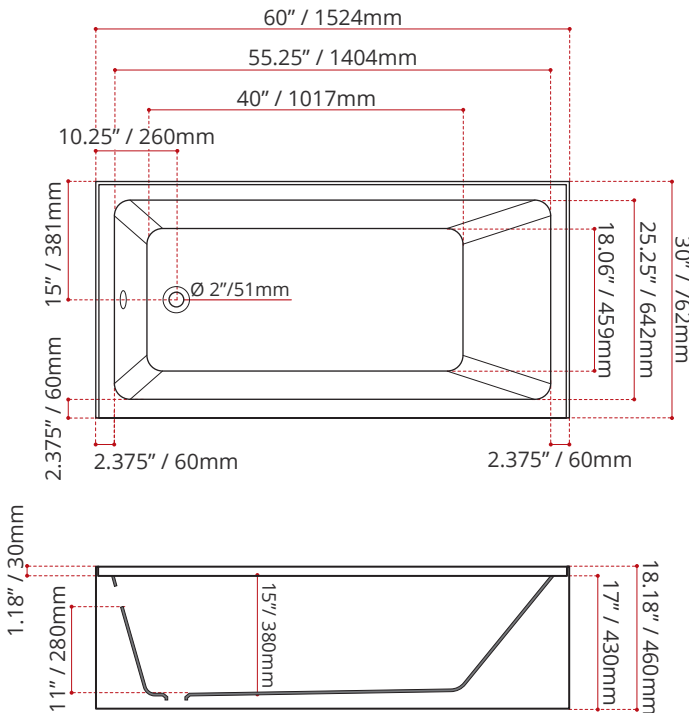
| DIMENSIONS | WATER DEPTH | CAPACITY |
|---|----------------------------------|----------------------------------|
| <ul style="list-style-type: none"> • Length: 60" / 1524mm • Width: 30" / 762mm • Skirt Height: 17" / 430mm | 11" / 280mm Drain to overflow | 34.5 gal. 131 litres of water |

SHIPPING INFORMATION:

- Length: 62" / 1575mm
- Net Weight: 30 kg / 66 lbs
- Width: 34" / 864mm
- Gross Weight: 35.8 kg / 79 lbs
- Height: 26" / 660mm

MODEL NUMBER : **2711**
(LEFT HAND DRAIN LOCATION)

MODEL NUMBER : **2721**
(RIGHT HAND DRAIN LOCATION)



DISCLAIMER: Measurements may vary ± ¼" (Diagram Not to scale)

