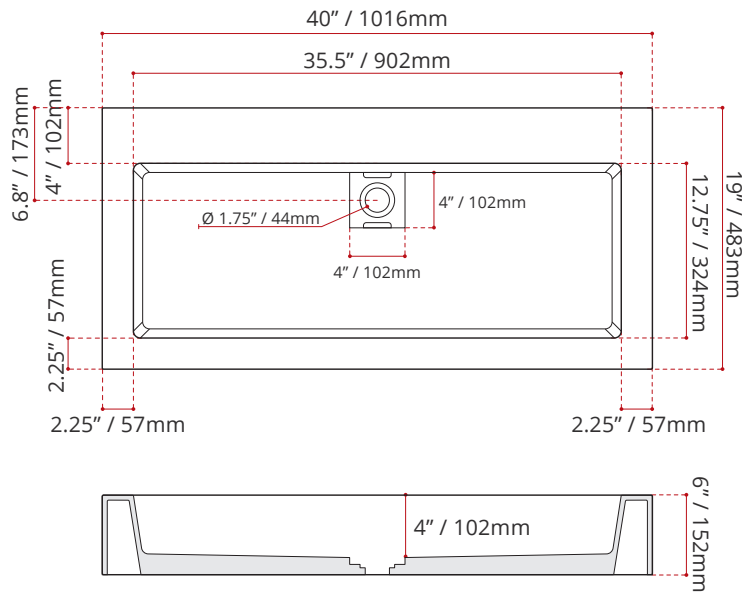




DESCRIPTION:

- Above counter Shila Stone basin
- Default finish White (Matte or Gloss)
- White square drain cover included
- No overflow
- Drain assembly sold separately
- Wall-mount option available
- Stain, scratch and crack resistance
- Fabricated in Canada
- Complies with CSA & IAPMO standards



DEFAULT FINISHES

MW
MATTE WHITE
(4019MW)

GW
GLOSS WHITE
(4019GW)

CUSTOM FINISHES

(GLOSS FINISH ONLY)

Colour Me SERIES

MARBLE SERIES

Flake Series

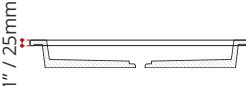
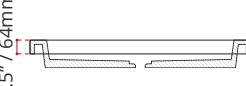
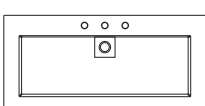
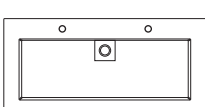
SHIPPING INFORMATION:

- Length: 42" / 1067mm
- Net Weight: 30.4 kg / 67 lbs.
- Width: 21" / 533mm
- Gross Weight: 32 kg / 70.5 lbs.
- Height: 7" / 178mm

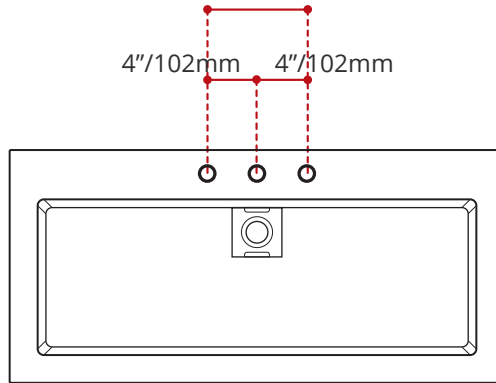
DISCLAIMER: Measurements may vary $\pm \frac{1}{4}"$ (Diagram Not to scale)

BASIN VARIATIONS

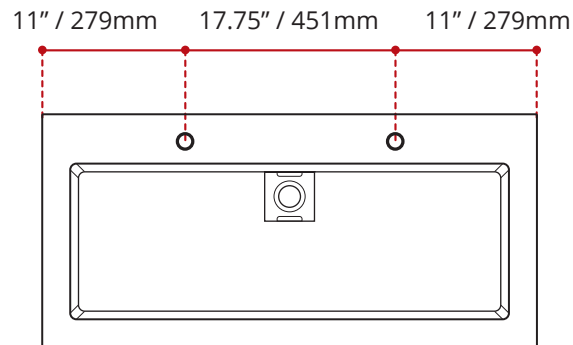
ALL UPCHARGE OPTIONS ARE MADE TO ORDER - NO REFUND - NO RETURN -

4019W		LIP SIZE OPTIONS			WALL MOUNT	
		1" LIP Drop-In Cutting Required 	2.5" LIP Drop-In Cutting Required 	6" LIP Vessel Drain portion Cutting Required 	WM 	
FAUCET HOLE DRILLING OPTIONS	NH NO HOLE 	MW MATTE WHITE	4019MW1-NH	4019MW25-NH	4019MW6-NH	4019MW6WM-NH
		GW GLOSS WHITE	4019GW1-NH	4019GW25-NH	4019GW6-NH	4019GW6WM-NH
	1H 1 HOLE 	MW MATTE WHITE	4019MW1-1H	4019MW25-1H	4019MW6-1H	4019MW6WM-1H
		GW GLOSS WHITE	4019GW1-1H	4019GW25-1H	4019GW6-1H	4019GW6WM-1H
	8C 8" CENTER 	MW MATTE WHITE	4019MW1-8C	4019MW25-8C	4019MW6-8C	4019MW6WM-8C
		GW GLOSS WHITE	4019GW1-8C	4019GW25-8C	4019GW6-8C	4019GW6WM-8C
	2H 2 HOLES 	MW MATTE WHITE	4019MW1-2H	4019MW25-2H	4019MW6-2H	4019MW6WM-2H
		GW GLOSS WHITE	4019GW1-2H	4019GW25-2H	4019GW6-2H	4019GW6WM-2H

8C
8" CENTER



2H
2 HOLES



WM
WALL MOUNT

