

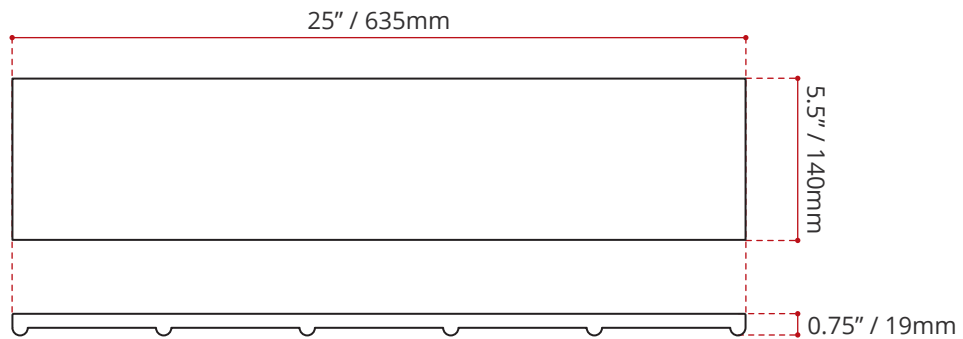


### DESCRIPTION

- Brushed stainless steel linear drain cover
- For 32" linear drain shower bases

### SHIPPING INFORMATION

- Length: 26" / 660mm
- Width: 7" / 178mm
- Height: 1.75" / 44mm
- Net Weight: 1 kg / 2.2 lbs.
- Gross Weight: 1.5 kg / 3.3 lbs.



**DISCLAIMER:** Measurements may vary  $\pm \frac{1}{4}$ " (Diagram Not to scale)