



Polished stainless steel

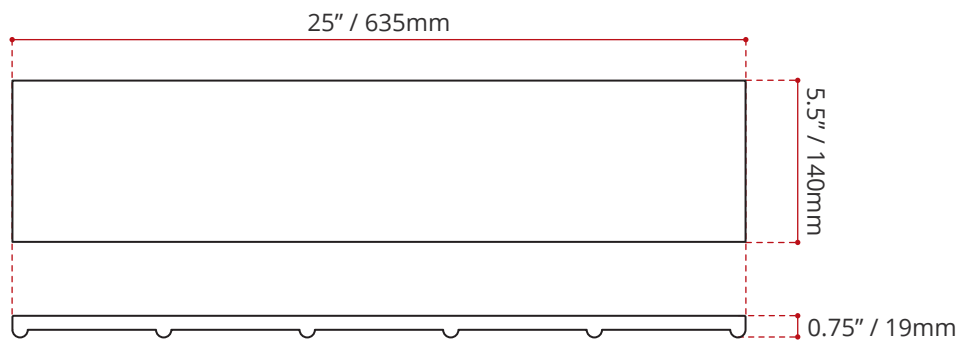
Product images are for illustration purposes only. Actual product(s) may vary.

DESCRIPTION

- Polished stainless steel linear drain cover
- For 32" linear drain shower bases

SHIPPING INFORMATION

- Length: 26" / 660mm
- Net Weight: 1 kg / 2.2 lbs.
- Width: 7" / 178mm
- Gross Weight: 1.5 kg / 3.3 lbs.
- Height: 1.75" / 44mm



DISCLAIMER: Measurements may vary $\pm \frac{1}{4}$ " (Diagram Not to scale)