

DESCRIPTION:



- ADA Compliant.
- High gloss / Crack-resistant acrylic.
- Will accommodate deck-mount tub filler.
- Sealed door.
- Dual drainage system.
- Textured bottom.
- Grab bar.
- Headrest.
- Complies with CSA & IAPMO standards.

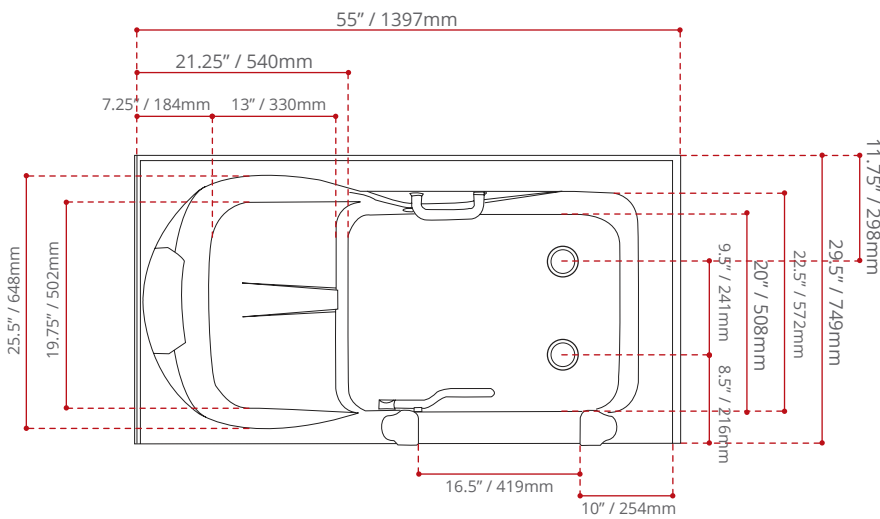
JETTING OPTIONS:

AIR JETTED PEDICURE SYSTEM

- Comfort warm back rest.
- LED lights.
- Electronic touch control.
- Air sequence system.
- 24 Air illusions air jets.

OTHER JETTING OPTIONS

- V-Masseuse
- Whirlpool V-Masseuse.



CAPACITY

114 gal.
432 litres of water

SHIPPING DIMENSIONS

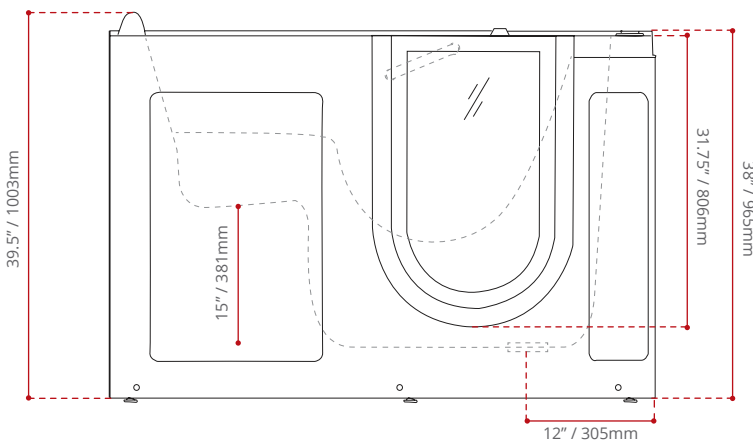
61 x 34 x 42" / 1549 x 864 x 1067mm

NET WEIGHT

74 kg / 163 lbs

GROSS WEIGHT

97 kg / 214 lbs



Measurements may vary ± 5mm
- Diagram NOT to scale -