



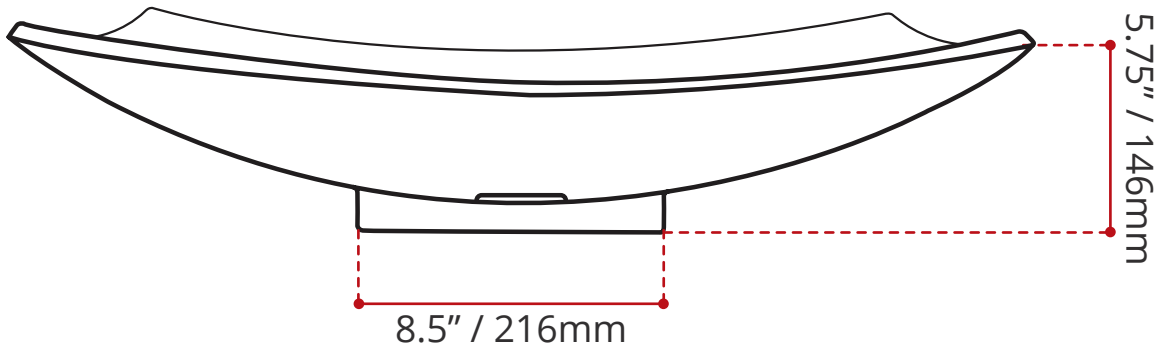
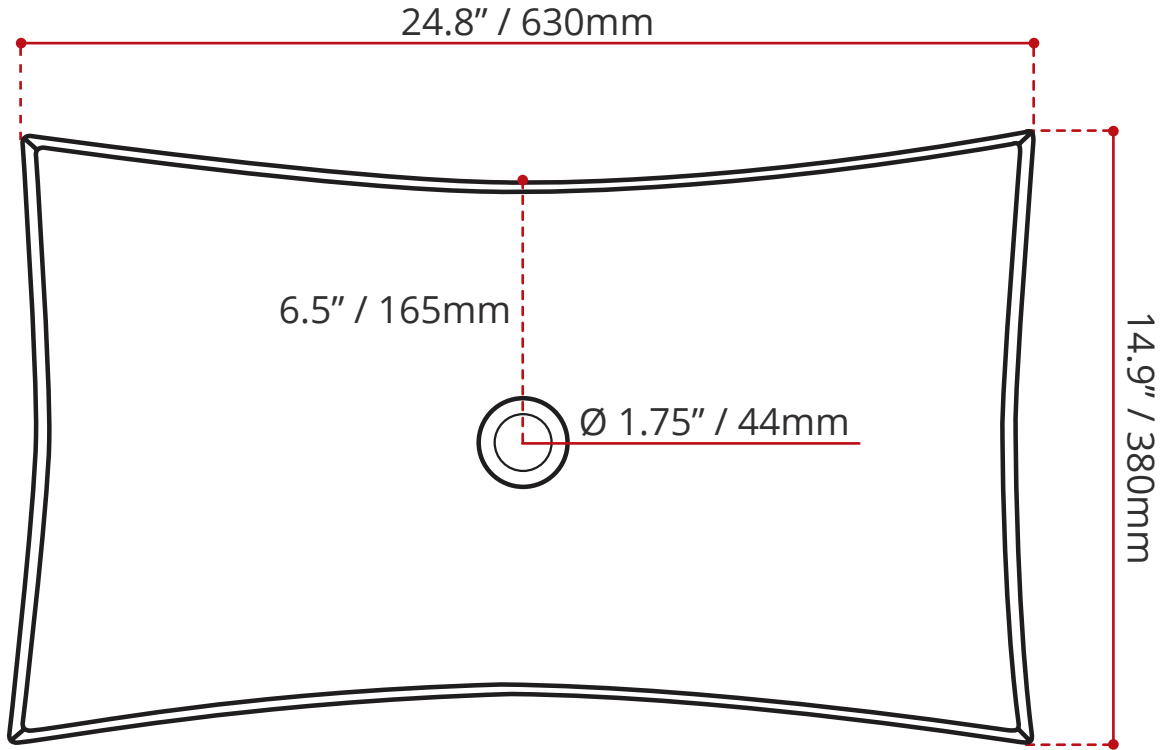
DESCRIPTION:
<ul style="list-style-type: none"> <li>• Above counter Shila Stone basin</li> <li>• Default finish White (Matte or Gloss)</li> <li>• No overflow</li> <li>• Drain assembly sold separately</li> <li>• Stain, scratch and crack resistance</li> <li>• Fabricated in Canada</li> <li>• Complies with CSA &amp; IAPMO standards</li> </ul>

DEFAULT FINISHES	
<b>MW</b> MATTE WHITE (3808MW)	<b>GW</b> GLOSS WHITE (3808GW)

BASIN CUSTOM FINISHES (GLOSS FINISH ONLY)		
<i>Colour Me</i> SERIES		

SHIPPING INFORMATION:	
<ul style="list-style-type: none"> <li>• Length: 27" / 686mm</li> <li>• Width: 17" / 432mm</li> <li>• Height: 8" / 203mm</li> </ul>	<ul style="list-style-type: none"> <li>• Net Weight: 5 kg / 11 lbs.</li> <li>• Gross Weight: 7 kg / 15 lbs.</li> </ul>

COORDINATING ITEM	
 <b>A9290CCP</b> (CHROME) OPEN GRID DRAIN WITH DECORATIVE CAP	 <b>A9290BN</b> (BRUSHED NICKEL) OPEN GRID DRAIN WITH DECORATIVE CAP



Vessel - Drain portion Cutting Required

DISCLAIMER: Measurements may vary  $\pm \frac{1}{4}$ " (Diagram Not to scale)