



Product images are for illustration purposes only. Actual product(s) may vary.

DESCRIPTION:

- ADA Compliant.
- Brushed stainless steel finish.
- Easy to clean and maintain.
- 100% stainless steel construction.
- High quality drip-free ceramic cartridge.
- Dual pull-out spray head.
- Single lever water & temperature control.
- Pressure and leak tested.
- Resist discoloration and corrosion.
- Top-mount, single hole installation.
- 360 - degree swivel spout.
- All mounting hardware included.
- Hot/Cold waterlines included
- Complies with CSA & IAPMO standards.



FINISH:

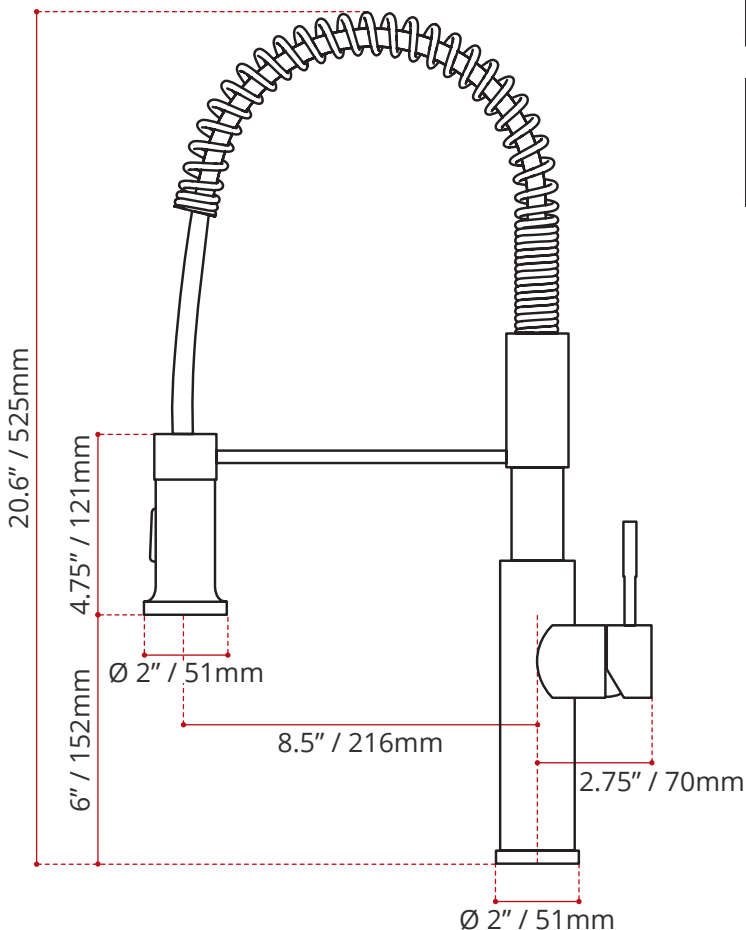
BRUSHED
STAINLESS STEEL

FLOW RATE

8.3 LPM

SHIPPING INFORMATION:

- Length: 22" / 559mm
- Width: 10" / 254mm
- Height: 3" / 76mm
- Net Weight: 1.5 kg / 3.3 lbs
- Gross Weight: 2 kg / 4.4 lbs



DISCLAIMER: Measurements may vary $\pm \frac{1}{8}$ " (Diagram Not to scale)