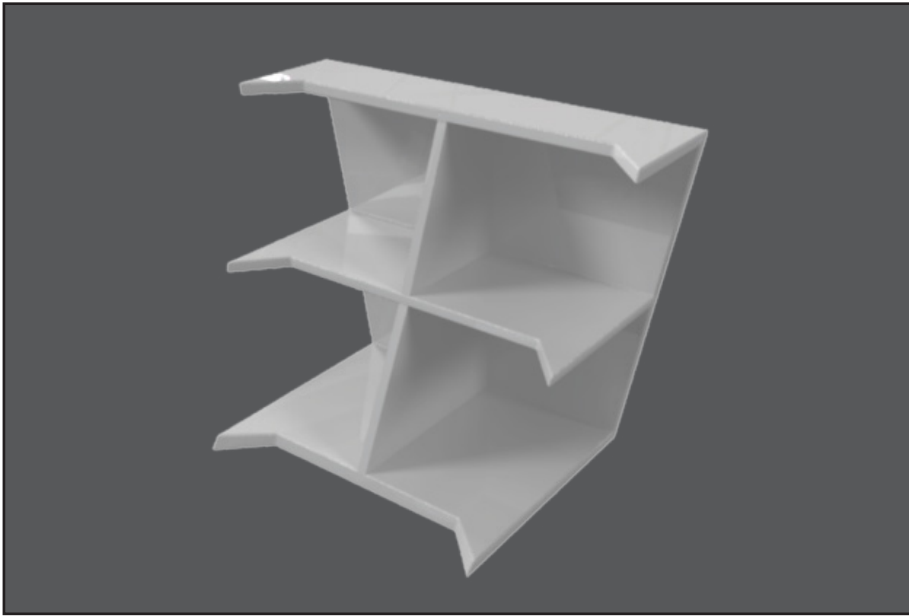




VALLEY

PRESTIGE COLLECTION

ONYX 150 EXTENSION STORAGE UNIT FOR ONYX 150



DESCRIPTION:

- Only for Onyx 150 Freestanding bathtub.
- Shila stone.
- Made in Canada.
- Complies with CSA & IAPMO standards.

COLOUR / FINISH

- Matte Pearl White.
- Gloss Pearl White.

Colour Me **SERIES**

SHIPPING DIMENSIONS

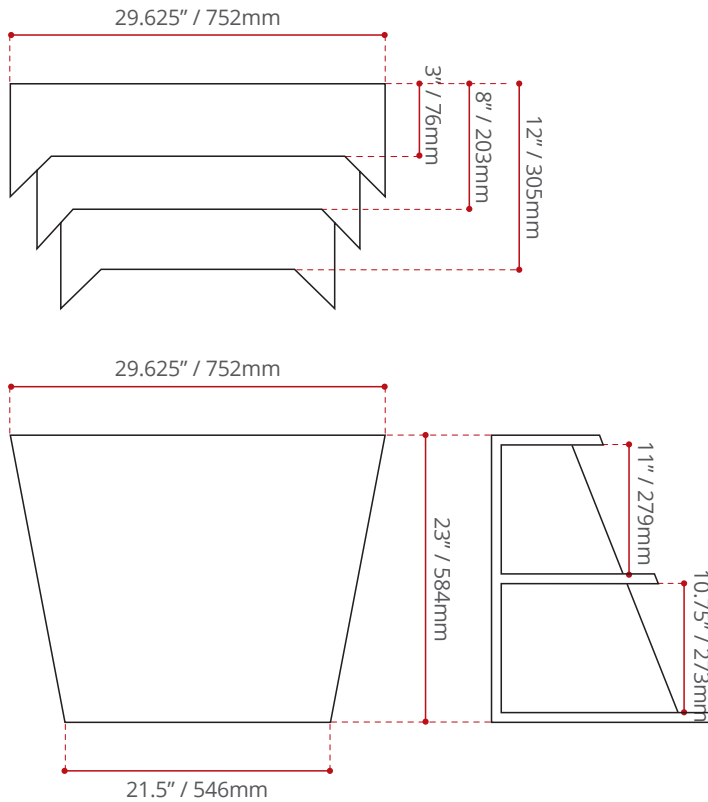
24 x 32 x 26" / 610 x 813 x 660mm

NET WEIGHT

TBA

GROSS WEIGHT

TBA



ONLY FOR ONYX 150



Measurements may vary ± 5mm
- Diagram NOT to scale -

