



Product images are for illustration purposes only. Actual product(s) may vary.

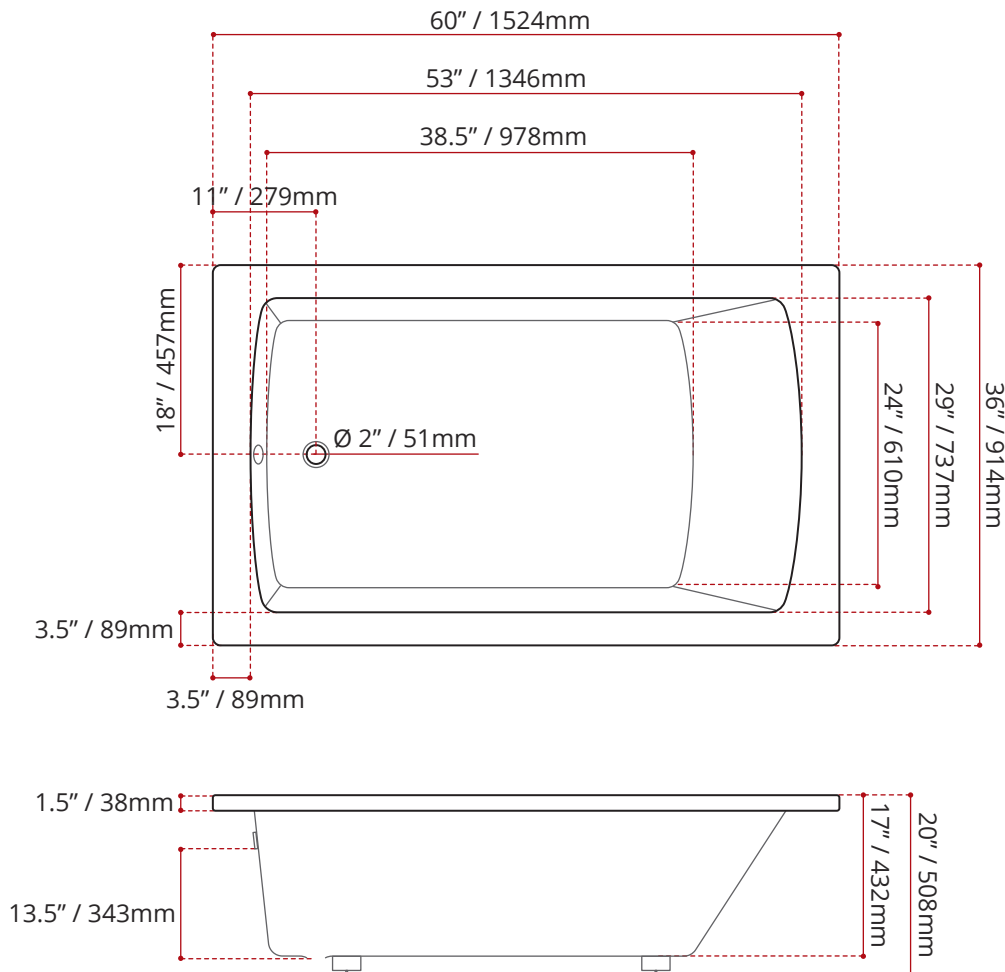
WHITE FINISH
MODEL No.
3831

BLACK FINISH	BISCUIT FINISH
MODEL No.	MODEL No.
3832	3833
<i>COLOUR OPTIONS ARE MADE TO ORDER - NO REFUND - NO RETURN -</i>	

DIMENSIONS	WATER DEPTH	CAPACITY
<ul style="list-style-type: none"> • Length: 60" / 1524mm • Width: 36" / 914mm • Height: 20" / 508mm 	13.5" / 343mm Drain to overflow	54 gal. 204 litres of water

PRODUCT INFORMATION:	
<ul style="list-style-type: none"> • Modern style • End drain • Made in Canada 	<ul style="list-style-type: none"> • Drop-in installation • High gloss / Crack-resistant acrylic • Complies with CSA & IAPMO standards

SHIPPING INFORMATION:	
<ul style="list-style-type: none"> • Length: 62" / 1575mm • Width: 38" / 965mm • Height: 26" / 660mm 	<ul style="list-style-type: none"> • Net Weight: 32 kg / 71 lbs • Gross Weight: 38 kg / 84 lbs



DISCLAIMER: Measurements may vary ± 1/4" (Diagram Not to scale)



CUSTOMIZE YOUR TUB

ALL UPCHARGE OPTIONS ARE MADE TO ORDER - NO REFUND - NO RETURN -

AVAILABLE CUSTOMIZATION OPTIONS	MODEL No.
TEXTURED BOTTOM	C4
12FT. ADD-ON TILING FLANGE	C6
INTEGRAL MOLDED TILING FLANGE	C7
INTEGRAL ARMREST	C8
TEXTURED BOTTOM + 12FT. ADD-ON TILING FLANGE	C46
TEXTURED BOTTOM + INTEGRAL MOLDED TILING FLANGE	C47
TEXTURED BOTTOM + INTEGRAL ARMREST	C48
12FT. ADD-ON TILING FLANGE + INTEGRAL ARMREST	C68
INTEGRAL MOLDED TILING FLANGE + INTEGRAL ARMREST	C78
TXRED BTM + 12FT. ADD-ON TILING FLANGE + INTGRL ARMREST	C468
TXRED BTM + INGR.MOLDED TILING FLANGE + INTGRL ARMREST	C478

JETTING OPTIONS

ALL EXPERIENCES ARE MADE TO ORDER - NO REFUND - NO RETURN -

MODEL No.	DESCRIPTION
E15	16 LATERAL AIR JETS (CHROME) + 1 ROUND LIGHT (WHITE) + 6 THIN LINE TURBO JETS (CHROME)
E33	16 AIR ILLUSION JETS + 2 ROUND LIGHTS (WHITE) + 6 STANDARD THIN LINE JETS (WHITE)
E56	16 SANTE AIR JETS (WHITE) + 1 ROUND LIGHT (WHITE) + 6 STANDARD THIN LINE JETS (WHITE)
E75	16 ZEN AIR JETS (CHROME) + 2 ROUND LIGHTS (WHITE) + 6 SQUARE STANDARD JETS (CHROME)
M16	4 V-MASSEUSE + 16 AIR ILLUSION JETS + 2 ROUND LIGHTS (WHITE)
M33	4 WHIRLPOOL V-MASSEUSE + 16 LATERAL AIR JETS (CHROME) + 1 ROUND LIGHT (WHITE)
062	6 REGULAR WHIRLPOOL WATER JETS - BRUSHED NICKEL
032	16 SANTE AIR JETS (WHITE FINISH) + 1 ROUND LIGHT (WHITE FINISH)

*FOR MORE EXPERIENCES, JETTING OPTIONS & ACCESSORIES
PLEASE REFER TO THE JETTING GUIDE*

HOW TO CREATE THE MODEL NUMBER

When configuring a bathtub please follow the correct order of the configuration options.

COLOUR OPTION + CUSTOMIZATIONS + JETTING OPTIONS

Let's break down an example — Here is Model No.

3831C4E56

3831C4E56 (OVO6036DI WHITE FINISH)

3831**C4**E56 (TEXTURED BOTTOM)

3831C4**E56** (JETTING OPTION)

OVO6036DI WHITE FINISH + TEXTURED BOTTOM + 16 SANTE AIR JETS (WHITE) +
1 ROUND LIGHT (WHITE) + 6 STANDARD THIN LINE JETS (WHITE)