



Product images are for illustration purposes only. Actual product(s) may vary.

WHITE FINISH	
MODEL No.	
<b>3111</b>	
LEFT HAND DRAIN LOCATION	
<b>3121</b>	
RIGHT HAND DRAIN LOCATION	

BLACK FINISH	BISCUIT FINISH
MODEL No.	MODEL No.
<b>3112</b> LEFT HAND DRAIN LOCATION	<b>3113</b> LEFT HAND DRAIN LOCATION
<b>3122</b> RIGHT HAND DRAIN LOCATION	<b>3123</b> RIGHT HAND DRAIN LOCATION
<i>COLOUR OPTIONS ARE MADE TO ORDER - NO REFUND - NO RETURN -</i>	

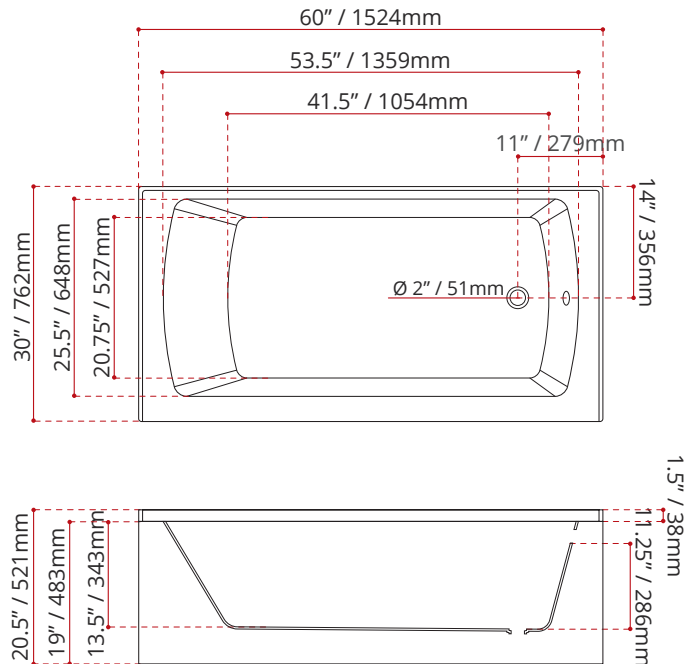
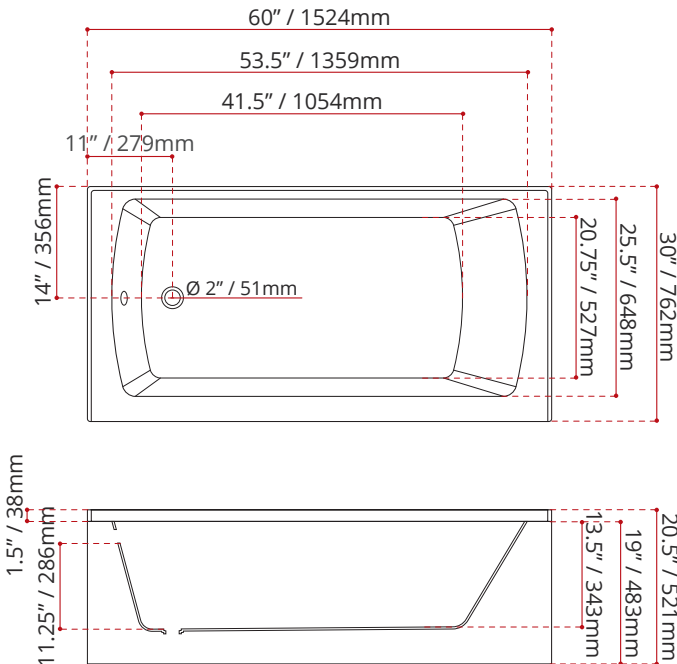
DIMENSIONS	WATER DEPTH	CAPACITY
<ul style="list-style-type: none"> <li>• Length: 60" / 1524mm</li> <li>• Width: 30" / 762mm</li> <li>• Skirt Height: 19" / 483mm</li> </ul>	11.25" / 286mm Drain to overflow	42 gal. 159 litres of water

PRODUCT INFORMATION:	
<ul style="list-style-type: none"> <li>• Modern style</li> <li>• Plain skirt</li> <li>• End drain</li> <li>• Made in Canada</li> </ul>	<ul style="list-style-type: none"> <li>• Above floor rough-in installation</li> <li>• High gloss / Crack-resistant acrylic</li> <li>• Complies with CSA &amp; IAPMO standards</li> </ul>

SHIPPING INFORMATION:	
<ul style="list-style-type: none"> <li>• Length: 62" / 1575mm</li> <li>• Width: 34" / 864mm</li> <li>• Height: 26" / 660mm</li> </ul>	<ul style="list-style-type: none"> <li>• Net Weight: 30 kg / 66 lbs</li> <li>• Gross Weight: 35.8 kg / 79 lbs</li> </ul>

MODEL NUMBER : **3111**  
(LEFT HAND DRAIN LOCATION)

MODEL NUMBER : **3121**  
(RIGHT HAND DRAIN LOCATION)



DISCLAIMER: Measurements may vary ± 1/4" (Diagram Not to scale)