



PRO SKIRTED SHILA STONE BATHTUB



Product images are for illustration purposes only. Actual product(s) may vary.

MODEL No.	FINISH	
<b>4135</b> LEFT HAND DRAIN LOCATION	 <b>MATTE BLACK</b>	 ENVIRO SEAL
<b>4145</b> RIGHT HAND DRAIN LOCATION		


DIMENSIONS	WATER DEPTH	CAPACITY
<ul style="list-style-type: none"> <li>• Length: 60" / 1524mm</li> <li>• Width: 32" / 813mm</li> <li>• Skirt Height: 20" / 508mm</li> </ul>	13" / 330mm Drain to overflow	50.2 gal. 190 litres of water

**PRODUCT INFORMATION:**


Shila Stone is highly resistant to staining and chemical cleaners. Moreover, its non-porous, bacteriostatic surface limits the growth of microorganisms, making it a perfectly hygienic material.

- Classic style
- Pattern on skirt
- End drain
- Made in Canada
- Hygienic material
- Comes with integral armrests
- **Made from Shila Stone cast resin**
- Stain, scratch and crack resistance
- Complies with CSA & IAPMO standards

**SHIPPING INFORMATION:**

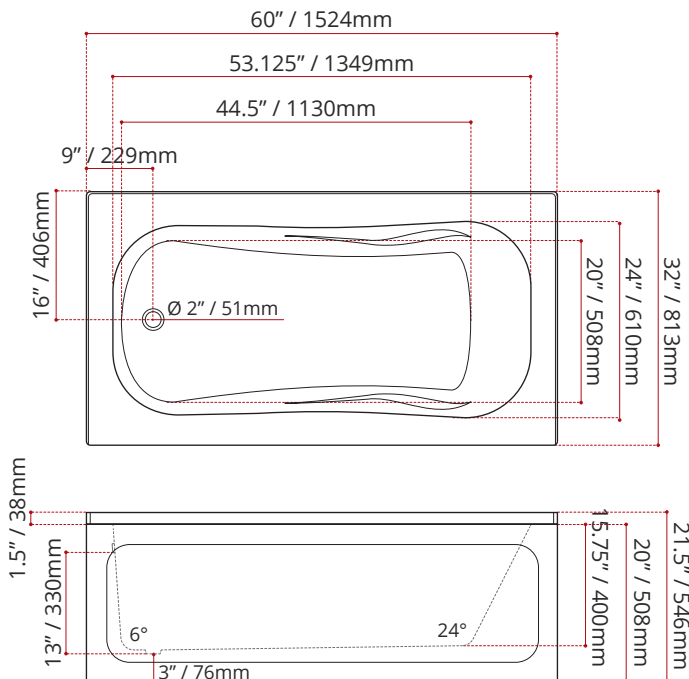


- Length: 62" / 1575mm
- Width: 34" / 864mm
- Height: 26" / 660mm

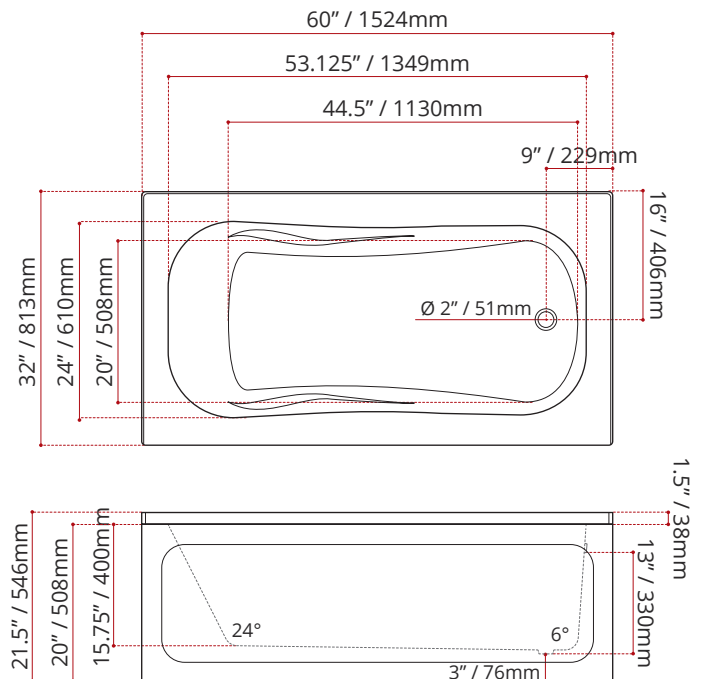


- Net Weight: 30 kg / 66 lbs
- Gross Weight: 35.8 kg / 79 lbs

MODEL NUMBER : **4135**  
(LEFT HAND DRAIN LOCATION)



MODEL NUMBER : **4145**  
(RIGHT HAND DRAIN LOCATION)



DISCLAIMER: Measurements may vary ± 1/8" (Diagram Not to scale)

