
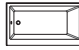

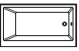


MODEL No.	FINISH	 ENVIRO SEAL
2245 LEFT HAND DRAIN LOCATION 	 MATTE BLACK	
2255 RIGHT HAND DRAIN LOCATION 		


DIMENSIONS	WATER DEPTH	CAPACITY
<ul style="list-style-type: none"> Length: 54" / 1372mm Width: 30" / 762mm Skirt Height: 22" / 559mm 	13.5" / 343mm Drain to overflow	50.5 gal. 191 litres of water


PRODUCT INFORMATION:

Shila Stone s highly resistant to staining and chemical cleaners. Moreover, its non-porous, bacteriostatic surface limits the growth of microorganisms, making it a perfectly hygienic material.

- Modern style
- Plain skirt
- End drain
- Made in Canada
- Hygienic material
- Made from Shila Stone cast resin**
- Stain, scratch and crack resistance
- Complies with CSA & IAPMO standards

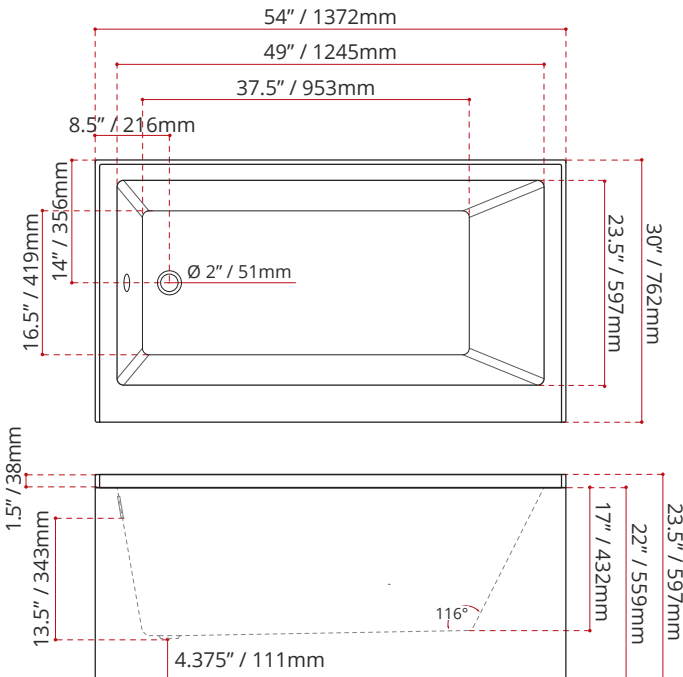
SHIPPING INFORMATION:


 KG/LBS

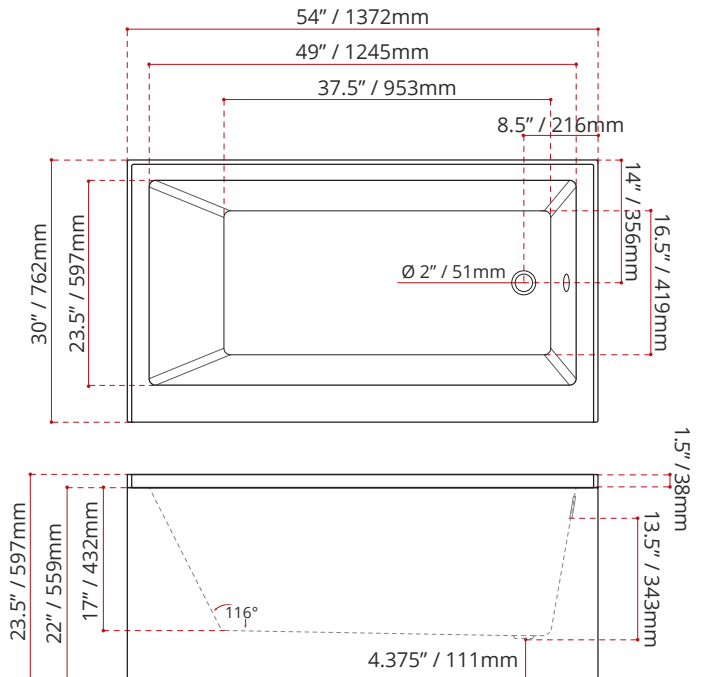

 KG/LBS

- Length: 56" / 1422mm
- Width: 34" / 864mm
- Height: 26" / 660mm
- Net Weight: 35 kg / 77 lbs
- Gross Weight: 40 kg / 88 lbs

MODEL NUMBER : 2245
(LEFT HAND DRAIN LOCATION)



MODEL NUMBER : 2255
(RIGHT HAND DRAIN LOCATION)



DISCLAIMER: Measurements may vary ± 1/4" (Diagram Not to scale)

