

Product images are for illustration purposes only. Actual product(s) may vary.

MODEL No.	FINISH	 ENVIRO SEAL
2265 LEFT HAND DRAIN LOCATION	 MATTE BLACK	
2275 RIGHT HAND DRAIN LOCATION		

DIMENSIONS	WATER DEPTH	CAPACITY
<ul style="list-style-type: none"> • Length: 54" / 1372mm • Width: 32" / 813mm • Skirt Height: 22" / 559mm 	13.5" / 343mm Drain to overflow	50.5 gal. 191 litres of water

PRODUCT INFORMATION:

Shila Stone s highly resistant to staining and chemical cleaners. Moreover, its non-porous, bacteriostatic surface limits the growth of microorganisms, making it a perfectly hygienic material.

- Modern style
- Plain skirt
- End drain
- Made in Canada
- Hygienic material
- **Made from Shila Stone cast resin**
- Stain, scratch and crack resistance
- Complies with CSA & IAPMO standards

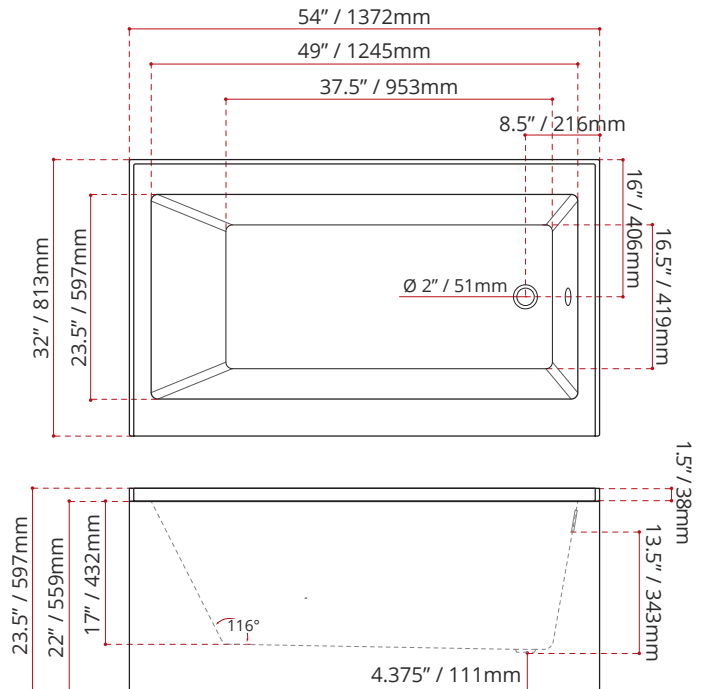
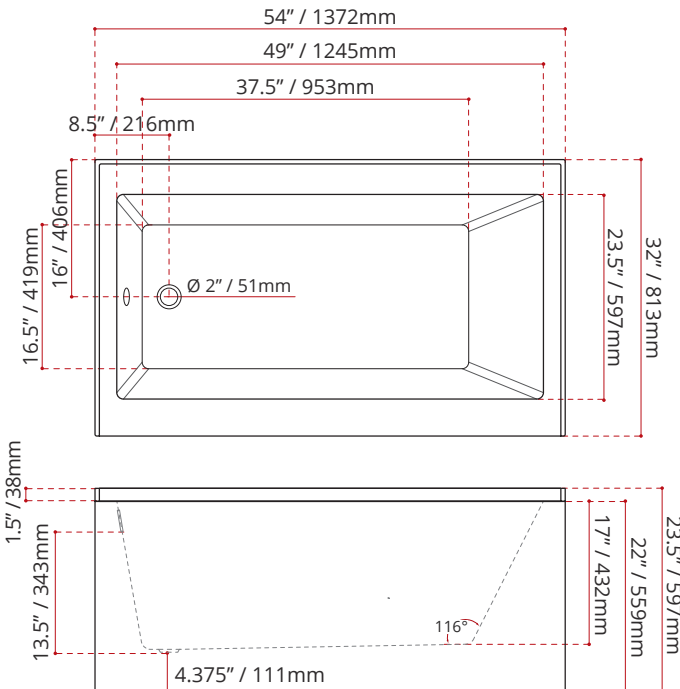
SHIPPING INFORMATION:

KG/LBS

- Length: 56" / 1422mm
- Width: 34" / 864mm
- Height: 26" / 660mm
- Net Weight: 35 kg / 77 lbs
- Gross Weight: 40 kg / 88 lbs

MODEL NUMBER : **2265**
(LEFT HAND DRAIN LOCATION)

MODEL NUMBER : **2275**
(RIGHT HAND DRAIN LOCATION)



DISCLAIMER: Measurements may vary $\pm \frac{1}{8}$ " (Diagram Not to scale)

