



Product images are for illustration purposes only. Actual product(s) may vary.

MODEL No.	FINISH	
2285 LEFT HAND DRAIN LOCATION	 MATTE BLACK	 ENVIRO SEAL
2295 RIGHT HAND DRAIN LOCATION		

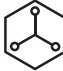
DIMENSIONS	WATER DEPTH	CAPACITY
<ul style="list-style-type: none"> Length: 60" / 1524mm Width: 30" / 762mm Skirt Height: 22" / 559mm 	14.25" / 362mm Drain to overflow	53 gal. 200 litres of water


PRODUCT INFORMATION:

Shila Stone s highly resistant to staining and chemical cleaners. Moreover, its non-porous, bacteriostatic surface limits the growth of microorganisms, making it a perfectly hygienic material.

- Modern style
- Plain skirt
- End drain
- Made in Canada
- Hygienic material
- Made from Shila Stone cast resin**
- Stain, scratch and crack resistance
- Complies with CSA & IAPMO standards

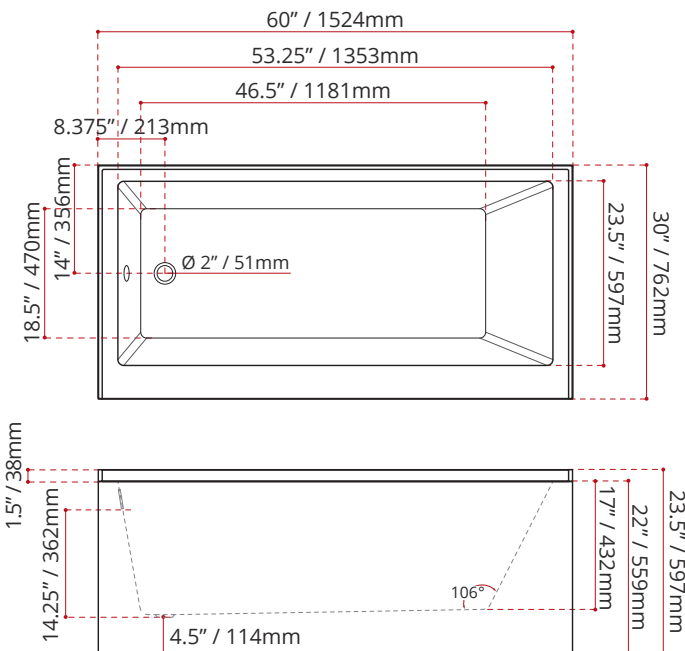
SHIPPING INFORMATION:



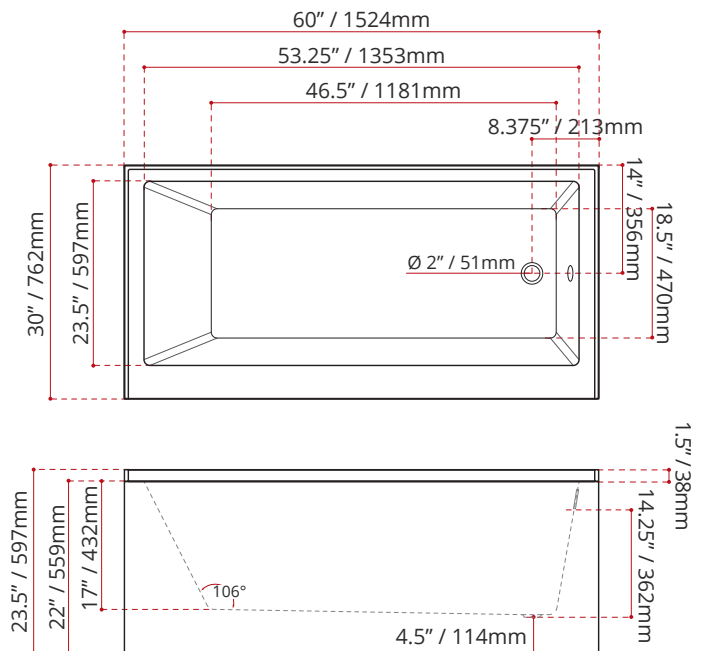


- Length: 62" / 1575mm
- Width: 34" / 864mm
- Height: 26" / 660mm
- Net Weight: 35 kg / 77 lbs
- Gross Weight: 40 kg / 88 lbs

MODEL NUMBER : 2285
(LEFT HAND DRAIN LOCATION)



MODEL NUMBER : 2295
(RIGHT HAND DRAIN LOCATION)



DISCLAIMER: Measurements may vary ± 1/8" (Diagram Not to scale)

