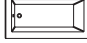





MODEL No.	FINISH	
2315 LEFT HAND DRAIN LOCATION 	 MATTE BLACK	 ENVIRO SEAL
2325 RIGHT HAND DRAIN LOCATION 		


DIMENSIONS	WATER DEPTH	CAPACITY
<ul style="list-style-type: none"> Length: 60" / 1524mm Width: 32" / 813mm Skirt Height: 22" / 559mm 	14.25" / 362mm Drain to overflow	53 gal. 200 litres of water


PRODUCT INFORMATION:

Shila Stone s highly resistant to staining and chemical cleaners. Moreover, its non-porous, bacteriostatic surface limits the growth of microorganisms, making it a perfectly hygienic material.

- Modern style
- Plain skirt
- End drain
- Made in Canada
- Hygienic material
- Made from Shila Stone cast resin**
- Stain, scratch and crack resistance
- Complies with CSA & IAPMO standards

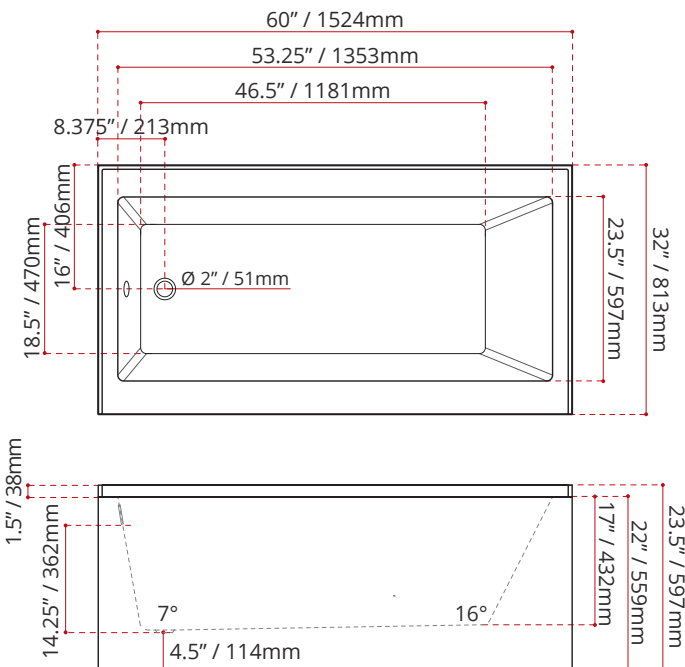
SHIPPING INFORMATION:



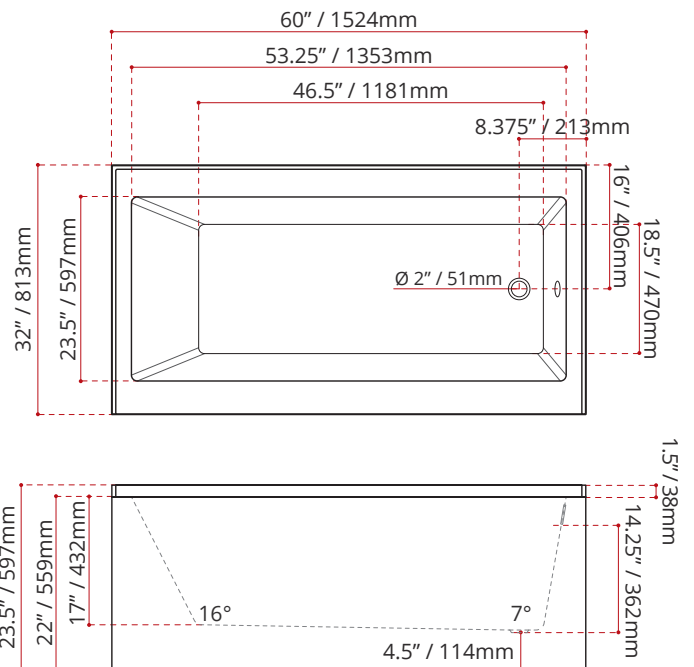


- Length: 62" / 1575mm
- Width: 34" / 864mm
- Height: 26" / 660mm
- Net Weight: 35 kg / 77 lbs
- Gross Weight: 40 kg / 88 lbs

MODEL NUMBER : 2315
(LEFT HAND DRAIN LOCATION)



MODEL NUMBER : 2325
(RIGHT HAND DRAIN LOCATION)



DISCLAIMER: Measurements may vary ± ¼" (Diagram Not to scale)

