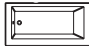


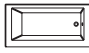


MODEL No.	FINISH	
2335 LEFT HAND DRAIN LOCATION 	 MATTE BLACK	 ENVIRO SEAL
2345 RIGHT HAND DRAIN LOCATION 		



DIMENSIONS	WATER DEPTH	CAPACITY
<ul style="list-style-type: none"> Length: 60" / 1524mm Width: 34" / 864mm Skirt Height: 24" / 610mm 	17.5" / 445mm Drain to overflow	75 gal. 284 litres of water

PRODUCT INFORMATION:

Shila Stone is highly resistant to staining and chemical cleaners. Moreover, its non-porous, bacteriostatic surface limits the growth of microorganisms, making it a perfectly hygienic material.

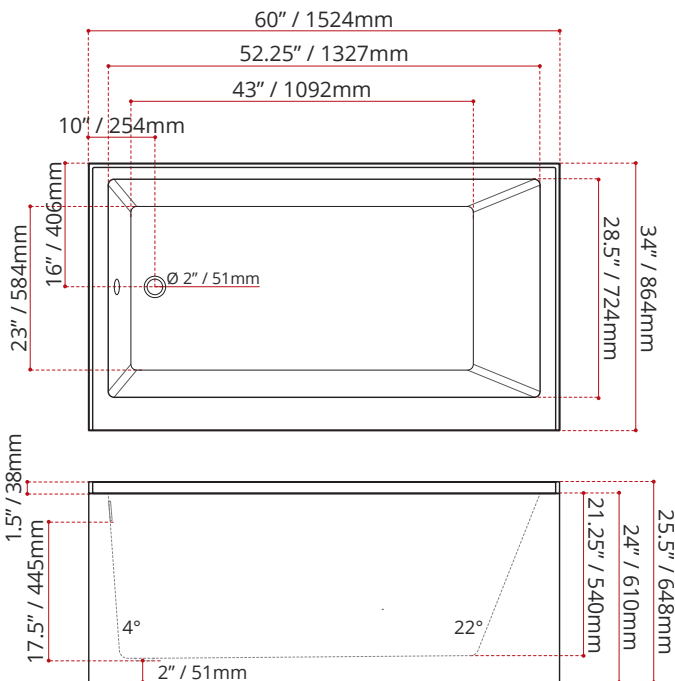
- Modern style
- Plain skirt
- End drain
- Made in Canada
- Hygienic material
- Made from Shila Stone cast resin**
- Stain, scratch and crack resistance
- Complies with CSA & IAPMO standards

SHIPPING INFORMATION:

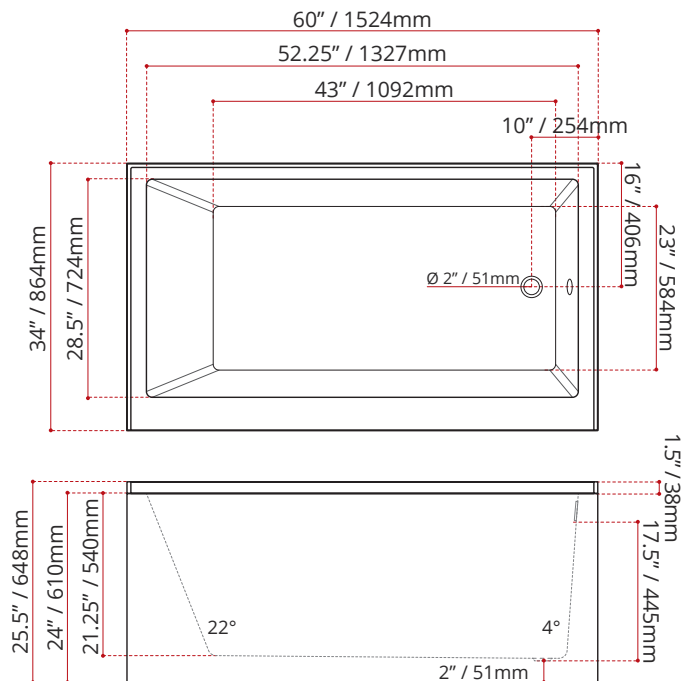



- Length: 62" / 1575mm
- Width: 38" / 965mm
- Height: 26" / 660mm
- Net Weight: 35 kg / 77 lbs
- Gross Weight: 40 kg / 88 lbs

MODEL NUMBER : **2335**
(LEFT HAND DRAIN LOCATION)



MODEL NUMBER : **2345**
(RIGHT HAND DRAIN LOCATION)



DISCLAIMER: Measurements may vary ± 1/4" (Diagram Not to scale)

