

Product images are for illustration purposes only. Actual product(s) may vary.

MODEL No.	FINISH	
<b>2355</b> LEFT HAND DRAIN LOCATION	 <b>MATTE BLACK</b>	 ENVIRO SEAL
<b>2365</b> RIGHT HAND DRAIN LOCATION		

DIMENSIONS	WATER DEPTH	CAPACITY
<ul style="list-style-type: none"> <li>Length: 60" / 1524mm</li> <li>Width: 36" / 914mm</li> <li>Skirt Height: 24" / 610mm</li> </ul>	17.5" / 445mm Drain to overflow	75 gal. 284 litres of water

**PRODUCT INFORMATION:**

Shila Stone is highly resistant to staining and chemical cleaners. Moreover, its non-porous, bacteriostatic surface limits the growth of microorganisms, making it a perfectly hygienic material.

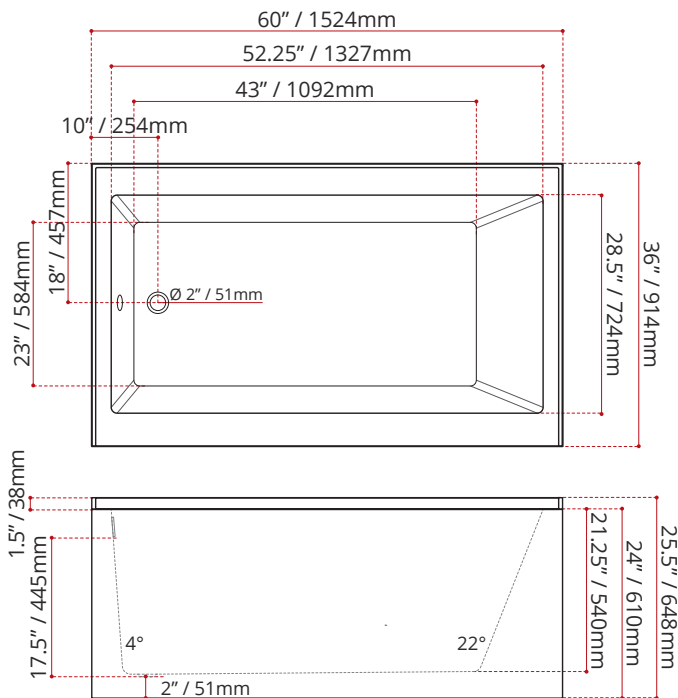
- Modern style
- Plain skirt
- End drain
- Made in Canada
- Hygienic material
- Made from Shila Stone cast resin**
- Stain, scratch and crack resistance
- Complies with CSA & IAPMO standards

**SHIPPING INFORMATION:**

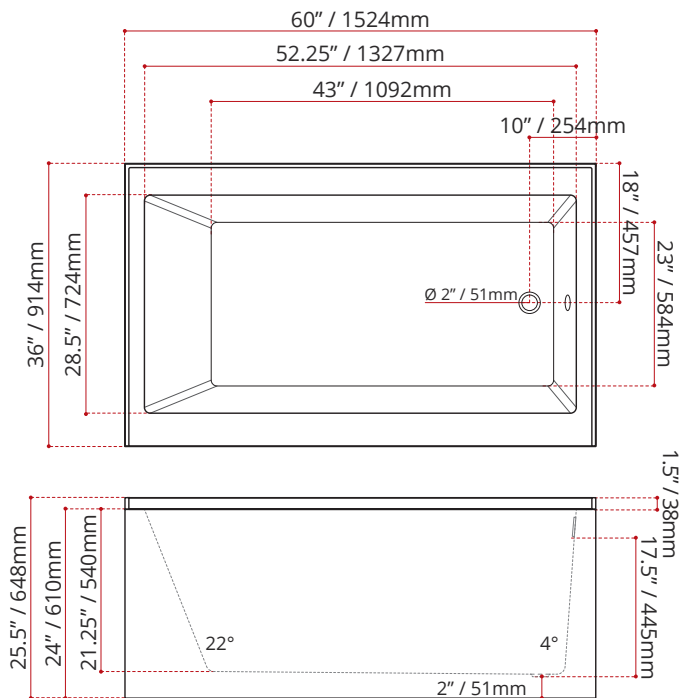
- Length: 62" / 1575mm
- Width: 38" / 965mm
- Height: 26" / 660mm

- Net Weight: 35 kg / 77 lbs
- Gross Weight: 40 kg / 88 lbs

MODEL NUMBER : **2355**  
(LEFT HAND DRAIN LOCATION)



MODEL NUMBER : **2365**  
(RIGHT HAND DRAIN LOCATION)



DISCLAIMER: Measurements may vary ± 1/8" (Diagram Not to scale)

