

## PLAIN STARK SKIRTED SHILA STONE BATHTUB



Product images are for illustration purposes only. Actual product(s) may vary.

MODEL No.	FINISH	
<b>5245</b> LEFT HAND DRAIN LOCATION	 <b>MATTE BLACK</b>	 ENVIRO SEAL
<b>5255</b> RIGHT HAND DRAIN LOCATION		

DIMENSIONS	WATER DEPTH	CAPACITY
<ul style="list-style-type: none"> <li>• Length: 72" / 1829mm</li> <li>• Width: 30" / 762mm</li> <li>• Skirt Height: 22" / 559mm</li> </ul>	14" / 356mm Drain to overflow	59 gal. 223 litres of water

### PRODUCT INFORMATION:

Shila Stone is highly resistant to staining and chemical cleaners. Moreover, its non-porous, bacteriostatic surface limits the growth of microorganisms, making it a perfectly hygienic material.

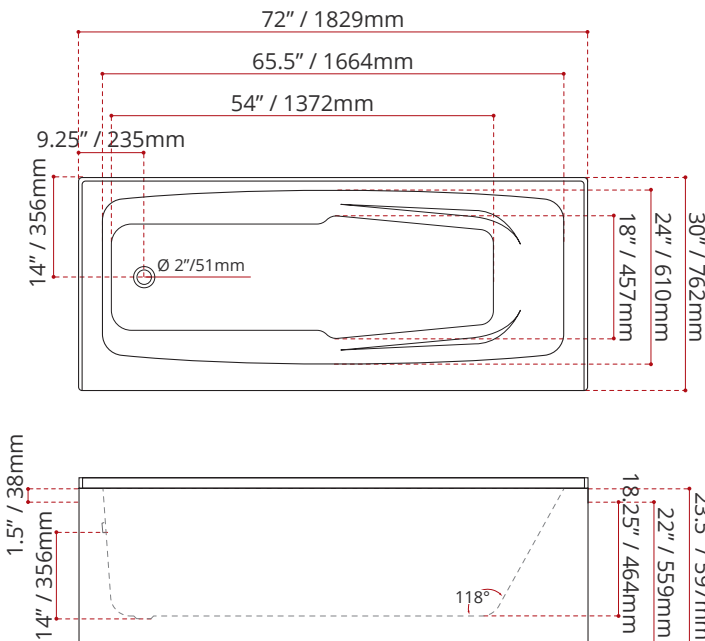
- Modern style
- Plain skirt
- End drain
- Made in Canada
- Hygienic material
- Comes with integral armrests
- **Made from Shila Stone cast resin**
- Stain, scratch and crack resistance
- Complies with CSA & IAPMO standards

### SHIPPING INFORMATION:

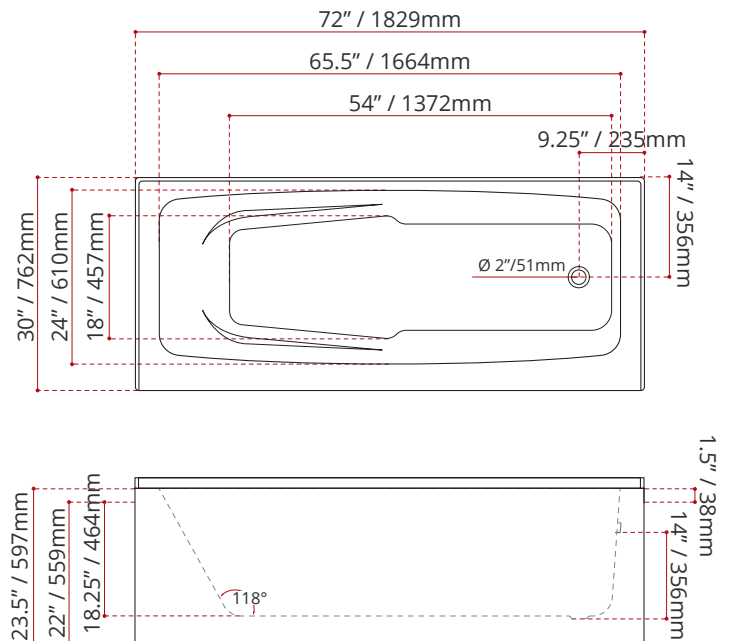


- Length: 74" / 1880mm
- Width: 34" / 864mm
- Height: 26" / 660mm
- Net Weight: 40 kg / 88 lbs.
- Gross Weight: 45 kg / 99 lbs

### MODEL NUMBER : 5245 (LEFT HAND DRAIN LOCATION)



### MODEL NUMBER : 5255 (RIGHT HAND DRAIN LOCATION)



DISCLAIMER: Measurements may vary ± 1/4" (Diagram Not to scale)

