

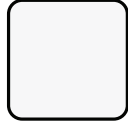





MODEL No.	FINISH	 ENVIRO SEAL
5244  LEFT HAND DRAIN LOCATION	 MATTE WHITE	
5254  RIGHT HAND DRAIN LOCATION		


DIMENSIONS	WATER DEPTH	CAPACITY
<ul style="list-style-type: none"> • Length: 72" / 1829mm • Width: 30" / 762mm • Skirt Height: 22" / 559mm 	14" / 356mm Drain to overflow	59 gal. 223 litres of water

PRODUCT INFORMATION:


Shila Stone is highly resistant to staining and chemical cleaners. Moreover, its non-porous, bacteriostatic surface limits the growth of microorganisms, making it a perfectly hygienic material.

- Modern style
- Plain skirt
- End drain
- Made in Canada
- Hygienic material
- Comes with integral armrests
- **Made from Shila Stone cast resin**
- Stain, scratch and crack resistance
- Complies with CSA & IAPMO standards

SHIPPING INFORMATION:

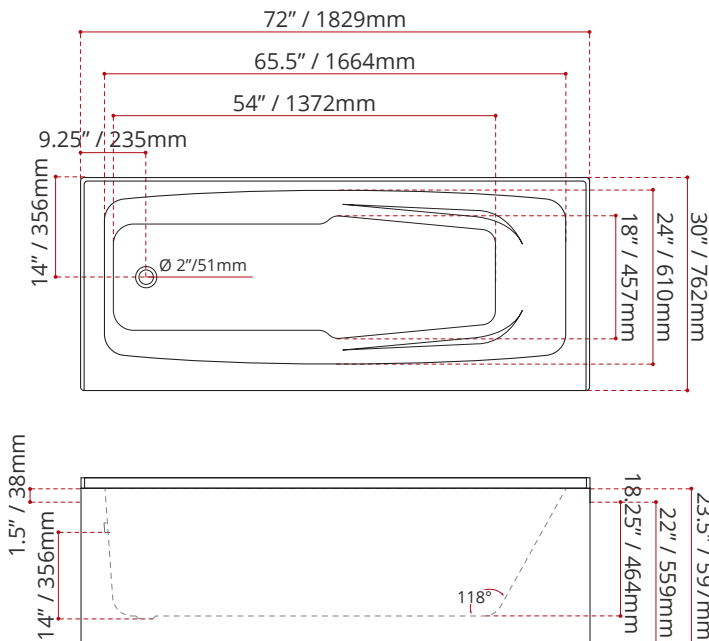


- Length: 74" / 1880mm
- Width: 34" / 864mm
- Height: 26" / 660mm

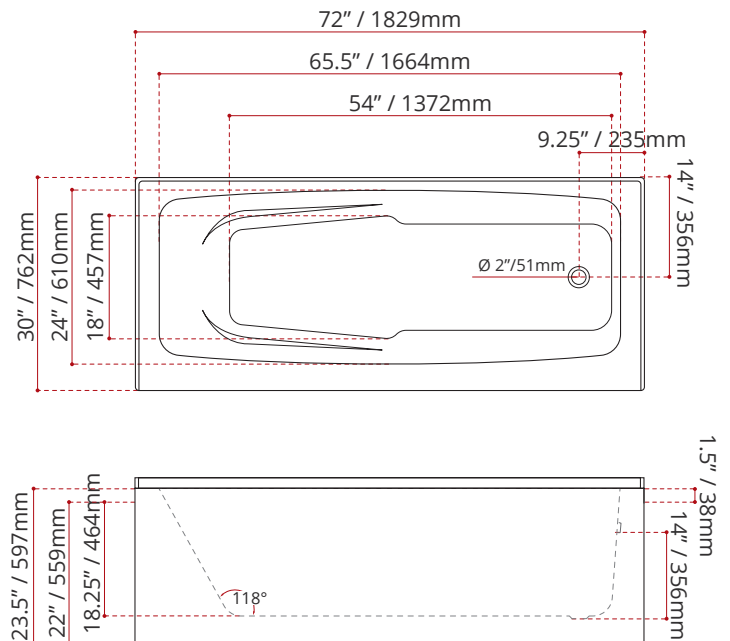


- Net Weight: 40 kg / 88 lbs.
- Gross Weight: 45 kg / 99 lbs

MODEL NUMBER : 5244
(LEFT HAND DRAIN LOCATION)



MODEL NUMBER : 5254
(RIGHT HAND DRAIN LOCATION)



DISCLAIMER: Measurements may vary ± 1/4" (Diagram Not to scale)

