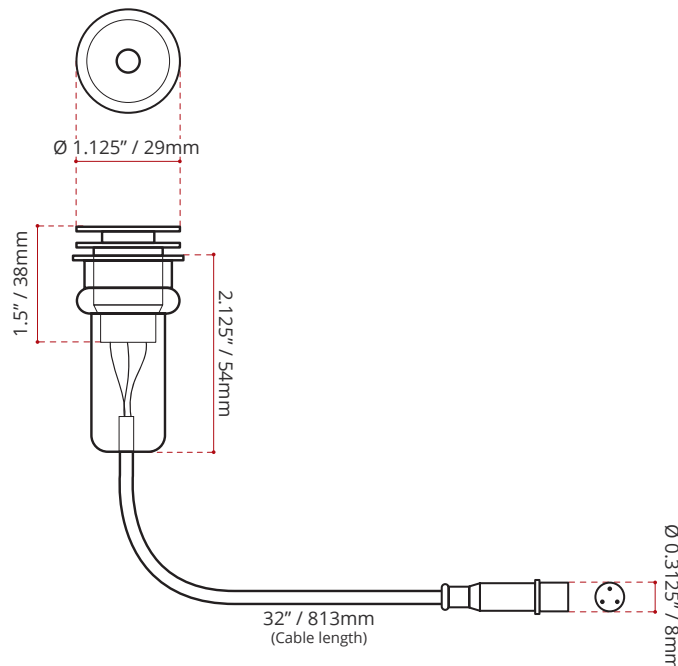


## INSTRUCTION MANUAL

Thank you for choosing Valley Acrylic Products. This installation manual provides general guidelines for the proper installation of your smart toilet sensor. Please read all instructions carefully to ensure a safe and successful installation.

### BEFORE YOU BEGIN

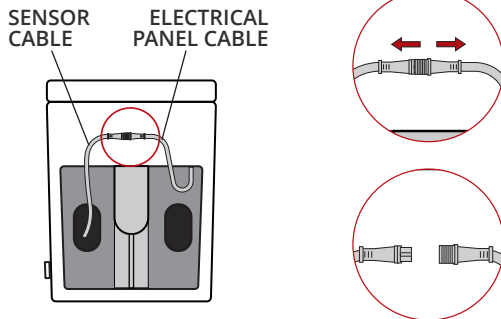
- Read this manual thoroughly before starting the installation.
- Verify that the installation complies with all applicable local building and plumbing codes.
- Carefully remove the unit from its packaging. Before discarding any packaging and before leaving the retailer, inspect the unit to ensure it is free from damage and defects.
- If any damage or finish defects are discovered, contact Valley Acrylic Products immediately. The warranty does not cover damage or finish defects once the unit has been installed. Responsibility for shipping damage ends once the product is delivered in good condition to the carrier; any transport-related claims must be made directly with the carrier.
- It is recommended to bring the sensor and all required components into the bathroom before installation to verify fit, orientation, and access to the power source. Ensure the installation area is dry and that power to the circuit is turned off before proceeding.



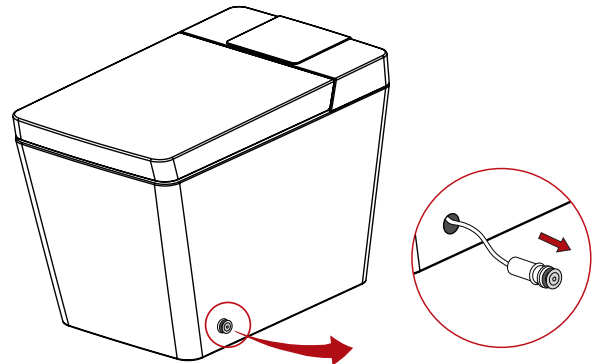
**DISCLAIMER: Measurements may vary  $\pm \frac{1}{4}"$  (Diagram Not to scale)**

## INSTRUCTION MANUAL

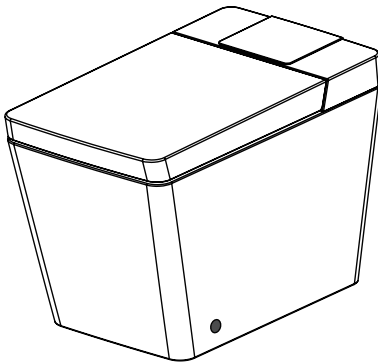
- 01** Turn off power at the main electrical panel, then disconnect the non-functioning sensor cable from the panel cable.



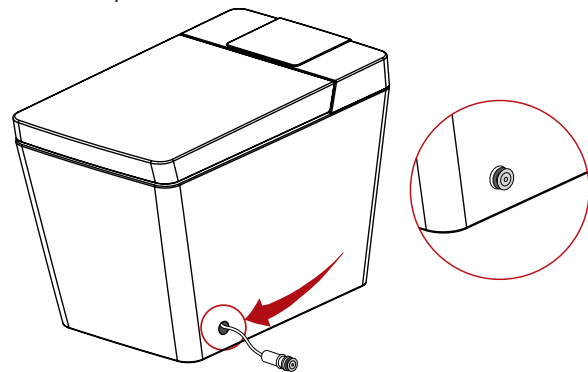
- 02** Gently pull the sensor straight out from the toilet.



- 03** Remove the sensor fully from the toilet opening.



- 04** Pull the cable inward and insert the new sensor straight into the opening until it locks into place.



- 05** Connect the sensor cable firmly to the main electrical panel cable, ensuring a secure fit.

