



Product images are for illustration purposes only. Actual product(s) may vary.

MODEL No.	FINISH
963MW	MW MATTE WHITE
963GW	GW GLOSS WHITE

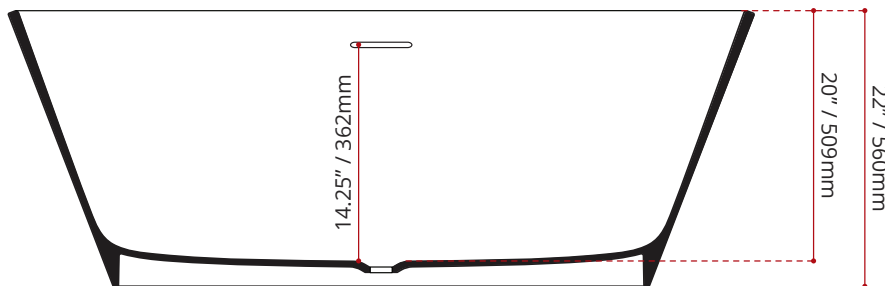
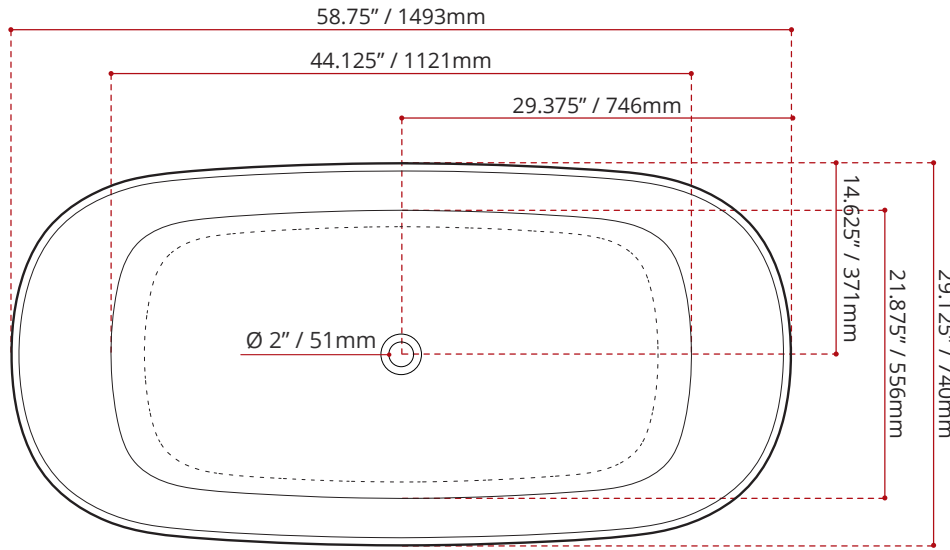
DIMENSIONS	WATER DEPTH	CAPACITY
<ul style="list-style-type: none"> • Length: 58.75" / 1493mm • Width: 29.125" / 740mm • Height: 22" / 560mm 	14.25" / 362mm Drain to overflow	60 gal. 227 litres of water

PRODUCT INFORMATION:

Valley's Sapphire freestanding bathtub is a double-ended tub that incorporates clean lines that will create a dramatic focal point for any sized bathroom suite. This bathtub is made out of cast resin stone, a superior material that's highly durable and exceptionally strong. Our cast resin stone has amazing insulation properties that provides heat retention, and is also scratch and stain resistant. ***This tub comes with an integral slotted overflow and a gloss white pop-up drain is included.*** Complies with CSA & IAPMO standards.

SHIPPING INFORMATION:

- Length: 61" / 1549mm
- Width: 30.7" / 780mm
- Height: 24.4" / 620mm
- Net Weight: 70 kg / 155 lbs.
- Gross Weight: 77 kg / 170 lbs.



CUSTOMIZE YOUR TUB

ALL UPCHARGE OPTIONS ARE MADE TO ORDER
- NO REFUND - NO RETURN -

EXTERIOR FINISH OPTION

colourme
VALLEY

DISCLAIMER: Measurements may vary ± ¼" (Diagram Not to scale)

