



Product images are for illustration purposes only. Actual product(s) may vary.

DESCRIPTION:

- Single bowl 10° radius kitchen sink
- Undermount install with flat apron front
- Handcrafted from T-304 brushed stainless steel
- Durable commercial-grade 16 gauge thickness
- Off-set Back Drain location
- Drain groove design
- StoneGuard undercoated over rubber pad
- Sink grid and basket strainer included

MINIMUM CABINET SIZE:

36" / 914mm

SINK GRID OPTION

BG7342

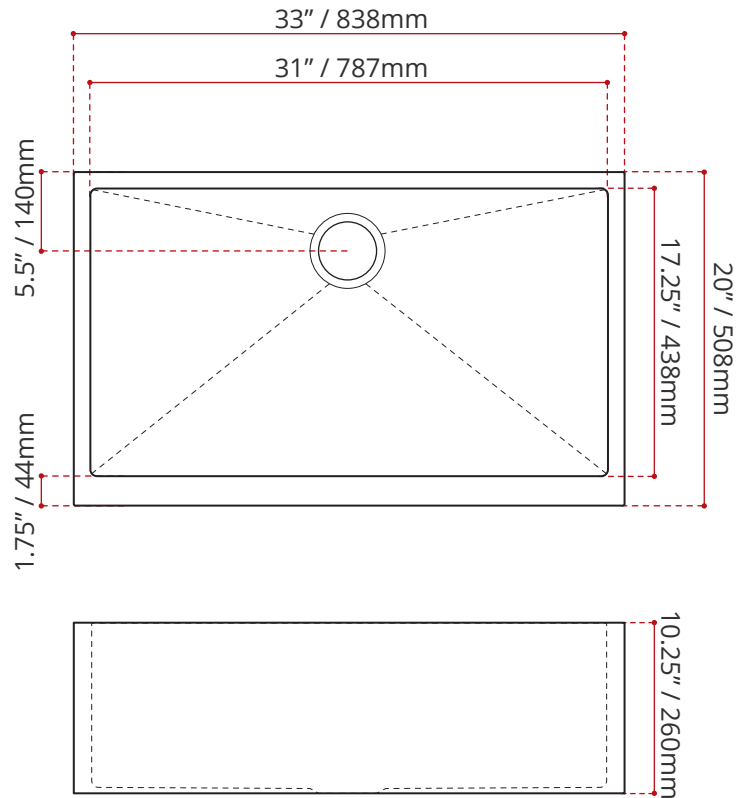
FINISH:



BRUSHED STAINLESS STEEL

SHIPPING INFORMATION:

- Length: 35.25" / 895mm
- Net Weight: 15 kg / 33 lbs.
- Width: 23" / 584mm
- Gross Weight: 17.5 kg / 38.5lbs.
- Height: 12.875" / 327mm



DISCLAIMER: Measurements may vary ± ¼" (Diagram Not to scale)