

DESCRIPTION:

- Single bowl 10° radius kitchen sink
- Undermount install with flat apron front
- Handcrafted from T-304 brushed stainless steel
- Durable commercial-grade 16 gauge thickness
- Off-set Back Drain location
- Drain groove design
- StoneGuard undercoated over rubber pad
- Sink grid and basket strainer included

MINIMUM CABINET SIZE:

36" / 914mm

SINK GRID OPTION

BG7342

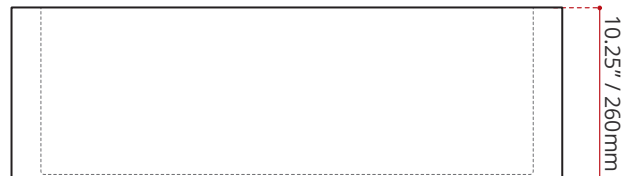
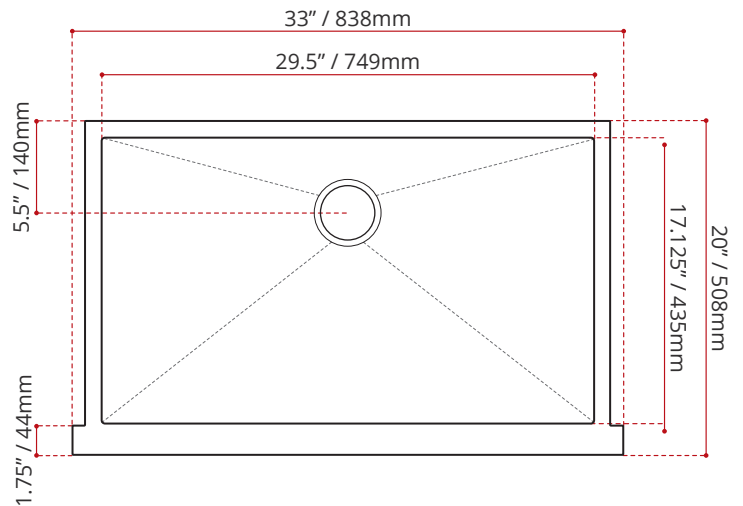
FINISH:



BRUSHED STAINLESS STEEL

SHIPPING INFORMATION:

- **Length:** 35.25" / 895mm
- **Width:** 23" / 584mm
- **Height:** 12.875" / 327mm
- **Net Weight:** 15 kg / 33 lbs.
- **Gross Weight:** 17.5 kg / 38.5lbs.



DISCLAIMER:
Measurements may vary ± 1/4"
(Diagram Not to scale)