



COLOUR OPTIONS ARE MADE TO ORDER - NO REFUND - NO RETURN -

BLACK FINISH
MODEL No: SSTOD6030L2 (LEFT HAND DRAIN)
MODEL No: SSTOD6030R2 (RIGHT HAND DRAIN)

BISCUIT FINISH
MODEL No: SSTOD6030L3 (LEFT HAND DRAIN)
MODEL No: SSTOD6030R3 (RIGHT HAND DRAIN)

Valley's single threshold, offset drain acrylic shower bases are meant to be installed in an alcove setting. Valley's acrylic shower bases are made at our facility in Mission, BC (Canada) out of high gloss, crack-resistant acrylic. Complies with CSA & IAPMO standards.

CUSTOMIZE YOUR SHOWER BASE

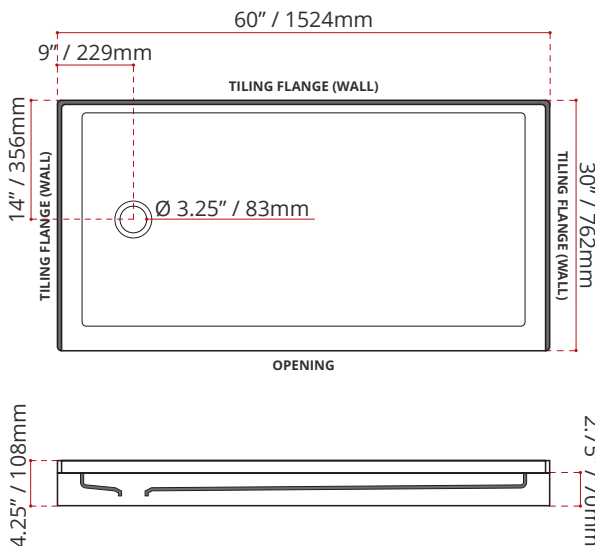
ALL UPCHARGE OPTIONS ARE MADE TO ORDER - NO REFUND - NO RETURN -

AVAILABLE CUSTOMIZATION OPTIONS	MODEL No.
TEXTURED BOTTOM	C4
DOUBLE TILING FLANGE	C5
TEXTURED BOTTOM + DOUBLE TILING FLANGE	C45

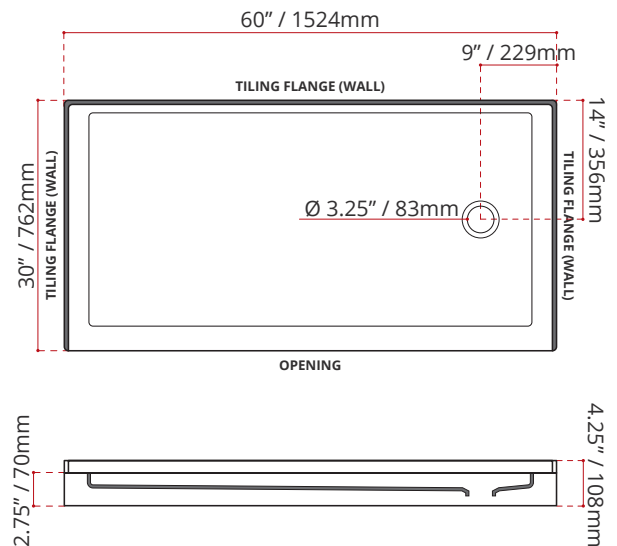
- DESCRIPTION:**
- Single Threshold / Opening
 - **White Finish**
 - Off set Drain
 - High gloss / Crack-resistant acrylic.
 - Made in Canada.
 - Complies with CSA & IAPMO standards.

- SHIPPING INFORMATION:**
- **Length:** 62" / 1575mm
 - **Width:** 34" / 864mm
 - **Height:** 8" / 203mm
 - **Net Weight:** 24 kg / 53lbs
 - **Gross Weight:** 27 kg / 59.5lbs

SSTOD6030L1
(LEFT HAND DRAIN LOCATION)



SSTOD6030R1
(RIGHT HAND DRAIN LOCATION)



DISCLAIMER: Measurements may vary ±1/4" (Diagram Not to scale)

