

COLOUR OPTIONS ARE MADE TO ORDER - NO REFUND - NO RETURN -

<b>BLACK FINISH</b>
MODEL No: SSTOD6032L2 (LEFT HAND DRAIN)
MODEL No: SSTOD6032R2 (RIGHT HAND DRAIN)

<b>BISCUIT FINISH</b>
MODEL No: SSTOD6032L3 (LEFT HAND DRAIN)
MODEL No: SSTOD6032R3 (RIGHT HAND DRAIN)

Valley's single threshold, offset drain acrylic shower bases are meant to be installed in an alcove setting. Valley's acrylic shower bases are made at our facility in Mission, BC (Canada) out of high gloss, crack-resistant acrylic. Complies with CSA & IAPMO standards.

- DESCRIPTION:**
- Single Threshold / Opening
  - **White Finish**
  - Off set Drain
  - High gloss / Crack-resistant acrylic.
  - Made in Canada.
  - Complies with CSA & IAPMO standards.

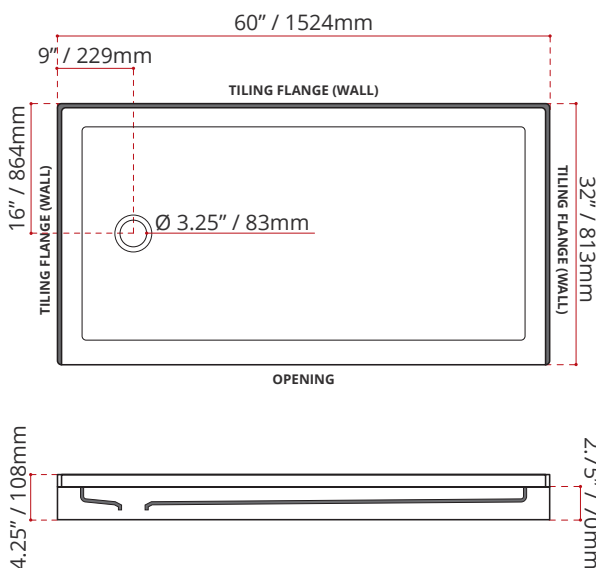
**CUSTOMIZE YOUR SHOWER BASE**

ALL UPCHARGE OPTIONS ARE MADE TO ORDER - NO REFUND - NO RETURN -

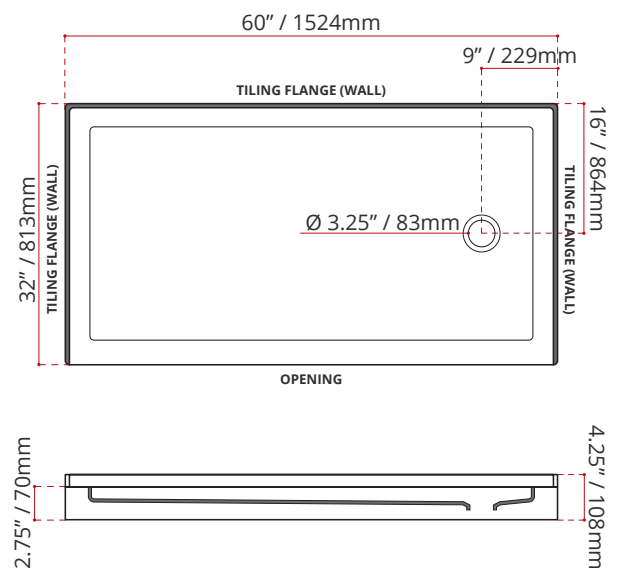
AVAILABLE CUSTOMIZATION OPTIONS	MODEL No.
TEXTURED BOTTOM	<b>C4</b>
DOUBLE TILING FLANGE	<b>C5</b>
TEXTURED BOTTOM + DOUBLE TILING FLANGE	<b>C45</b>

- SHIPPING INFORMATION:**
- Length: 62" / 1575mm
  - Net Weight: 24 kg / 53lbs
  - Width: 34" / 864mm
  - Gross Weight: 27 kg / 59.5lbs
  - Height: 8" / 203mm

**SSTOD6032L1**  
(LEFT HAND DRAIN LOCATION)



**SSTOD6032R1**  
(RIGHT HAND DRAIN LOCATION)



DISCLAIMER: Measurements may vary ±1/4" (Diagram Not to scale)

