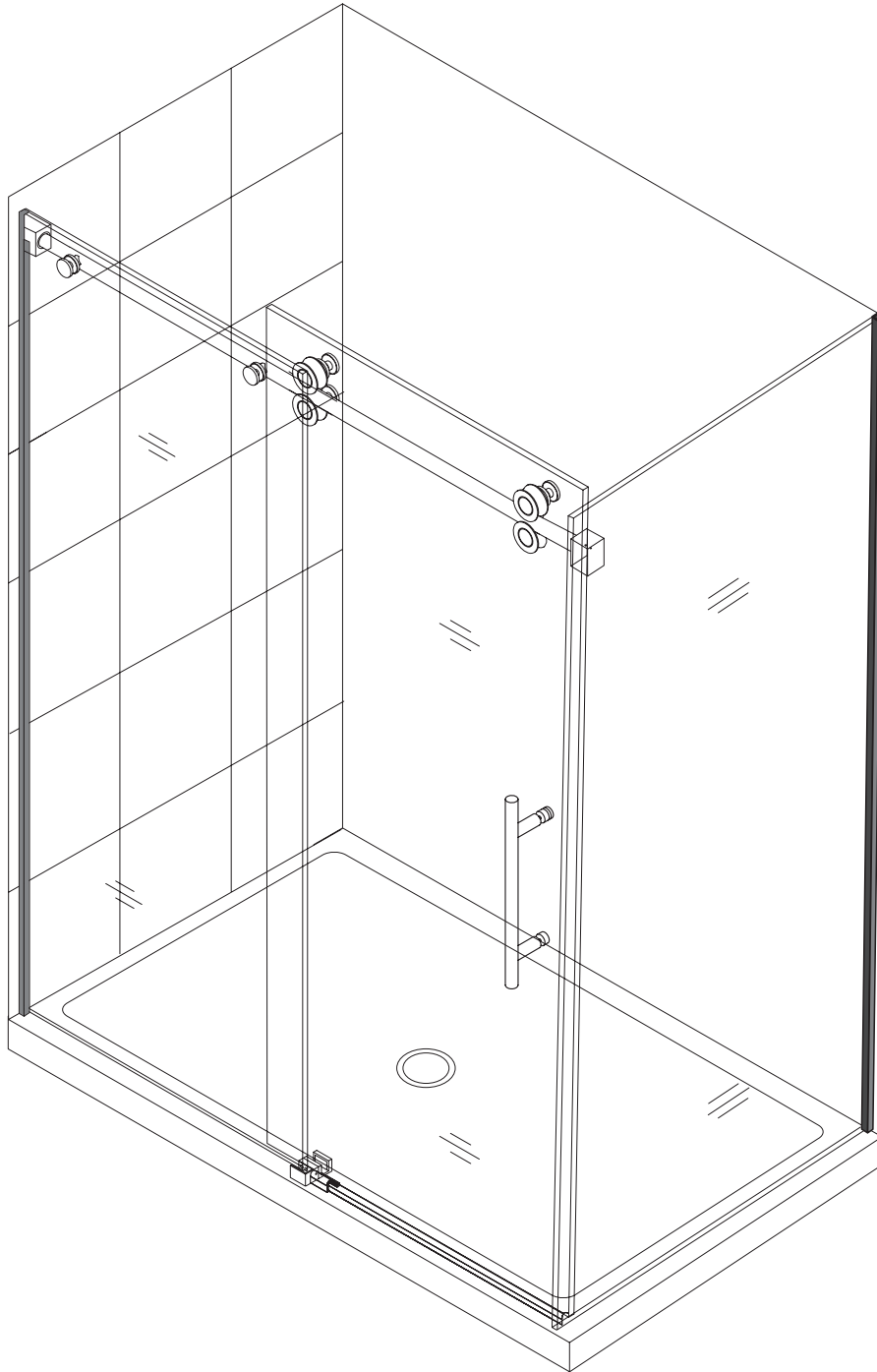


INSTALLATION GUIDE
FOR DOUBLE THRESHOLD SHOWER BASES



INSTALLATION GUIDE
FOR DOUBLE THRESHOLD SHOWER BASES

Thank you for choosing Valley Acrylic Products. This installation manual provides general information on the installation of our products.

BEFORE YOU BEGIN

This installation should be performed by a qualified professional.

- Prior to installation, examine all boxes and packages for shipping damage and compare the piece count with your packing slip. After opening all boxes and packages read this instruction carefully. Check that all of the needed parts are included in the package by checking off the components on the "Detailed Diagram of Shower Enclosure Components". If the unit has been damaged, has a finishing defect, or has missing parts, Please contact us for replacements within 3 business days. Please note that we will not replace any damaged product or missing parts free of charge after 3 business days or if the product has been installed.

- Prior to installation, ensure that the surface is level, solid, and capable of supporting the full weight of the unit. Walls must be plumb before proceeding. Depending on the type of unit being installed, minor leveling adjustments may be possible; however, uneven surfaces or out-of-square conditions can result in serious installation issues.

Please note that adjustments and drilling may be required during installation. All primary surfaces of the product must be properly protected throughout the installation process to prevent damage.

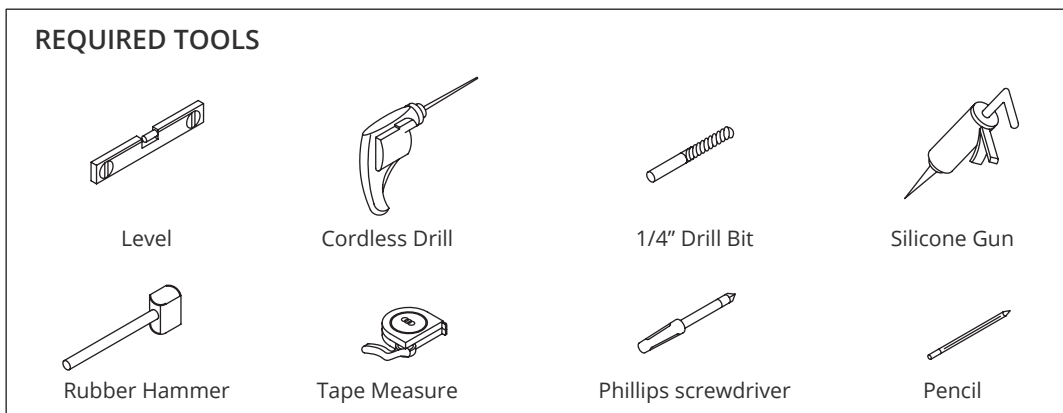
- **NOTE:** This door is reversible for right or left-hand door installation. The right-hand door installation is shown as an example throughout this manual. For left-hand door installation, simply begin on the opposite wall and reverse the orientation of the steps shown.



IMPORTANT INFORMATION



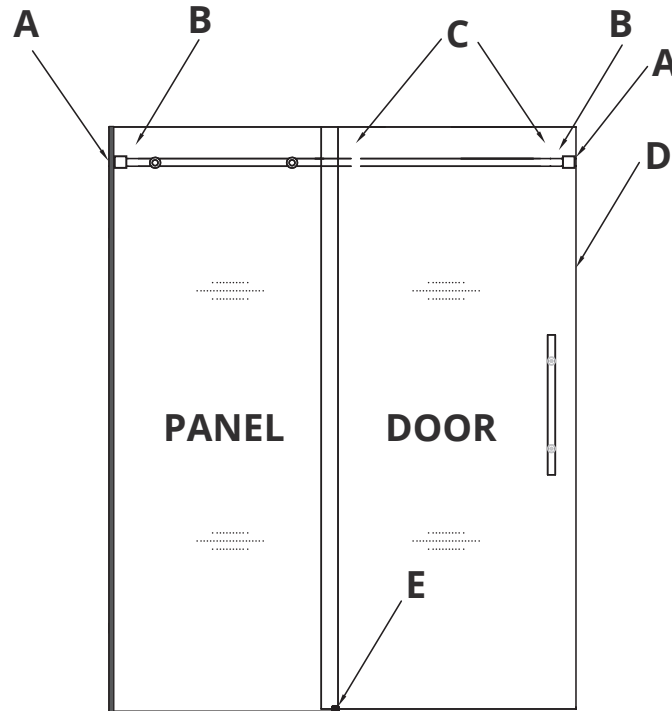
***ALL SHOWER DOORS NEED TO BE DRY-FITTED
BEFORE DRILLING ANY HOLE***



INSTALLATION GUIDE
FOR DOUBLE THRESHOLD SHOWER BASES



IMPORTANT INFORMATION



- A. Guide Rail Brackets** must be firmly attached to the wall. Installation into a stud is strongly recommended. All of the guide rail bracket set screws must be tightened.
- B.** Panel-side stopper must be installed into the pre-drilled stopper hole in the upper guide rail. Door-side stopper must be installed at the proper position to stop the door from contacting the wall.
- C. Roller Wheel Safety Set Screws** must be re-tightened after installation.
- D. Bumper Vinyl Seal** must be installed on the closing edge of the door glass.
- E. The Guide Block** must be installed square to the panel glass and door glass. Installing the guide block crooked may damage the bottom edge of the door glass and lead to breakage.

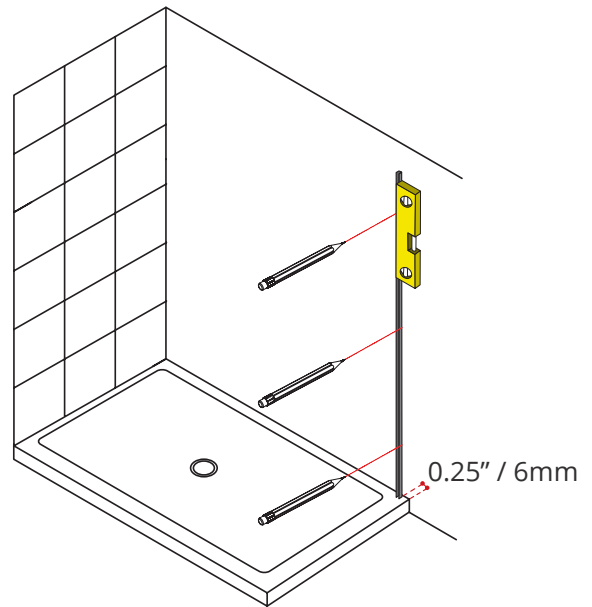
INSTALLATION GUIDE
FOR DOUBLE THRESHOLD SHOWER BASES

RETURN PANEL INSTALLATION

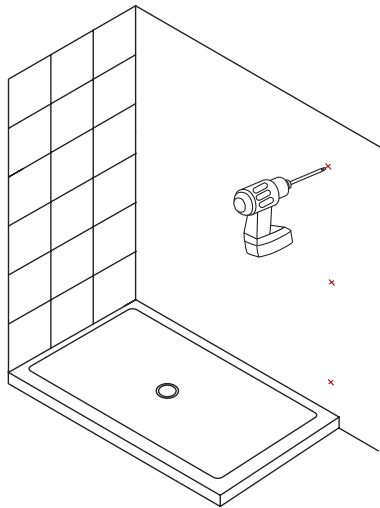
01

Return Panel Installation

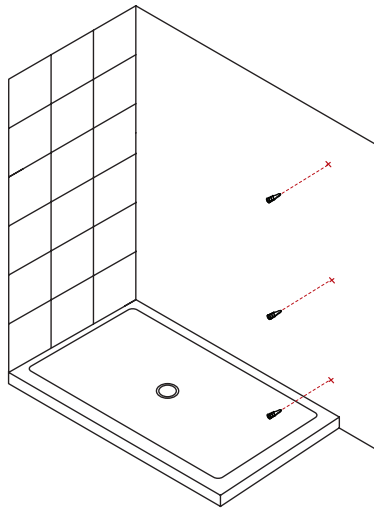
Position the wall profile on threshold, set back 1/4" back from the front of the threshold base. Ensure that the wall profile is level. Mark the screw location & Mark the screw position.



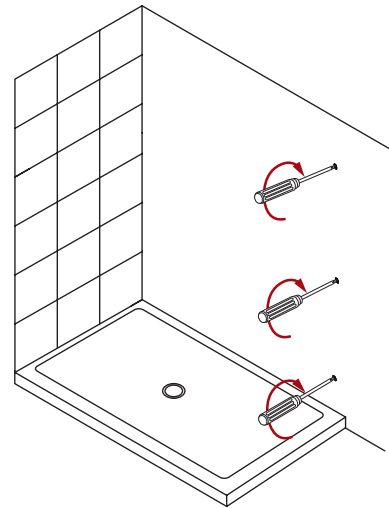
02



2.1 Drill the screw holes on each location over a stud



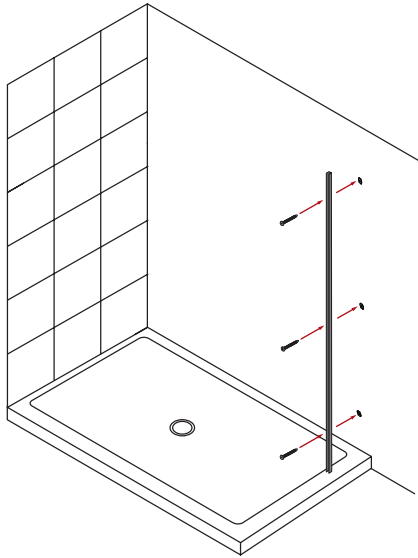
2.2 Insert the wall anchors into place



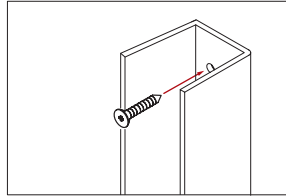
2.3 Tighten the wall anchors with a screwdriver

INSTALLATION GUIDE
FOR DOUBLE THRESHOLD SHOWER BASES

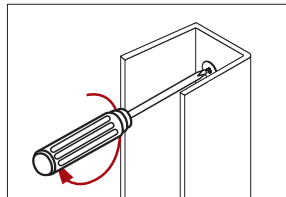
03



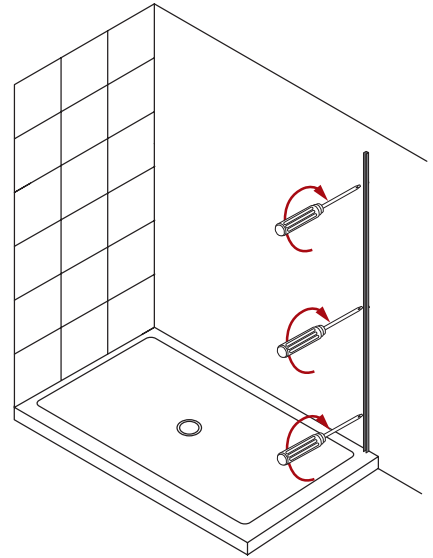
3.1 Drill the screw holes on each location over a stud



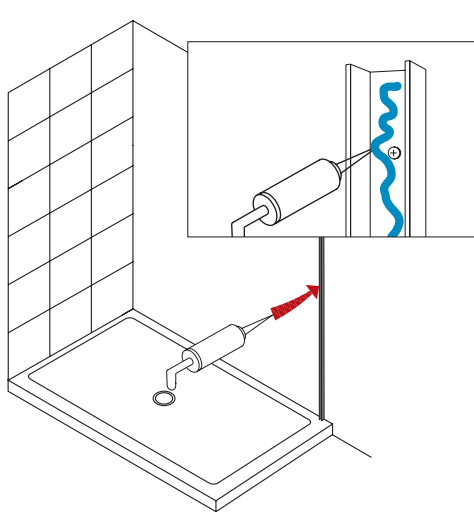
3.2 Insert the screws to the wall profile



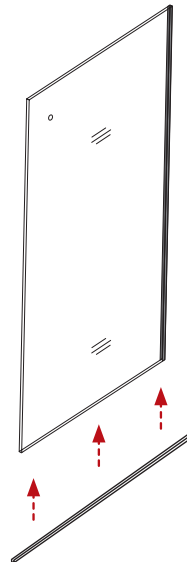
3.3 With the screwdriver, install the wall profiles into place



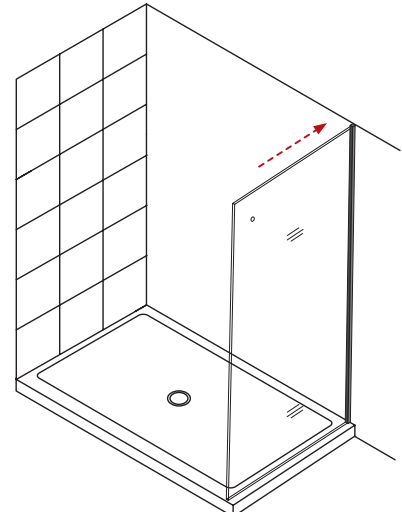
04



4.1 Apply silicone inside the wall profile as shown



4.2 Thoroughly clean the edges of the side panel. Install the U-Gaskets as shown



4.3 Place the side fixed panel onto the wall jam.

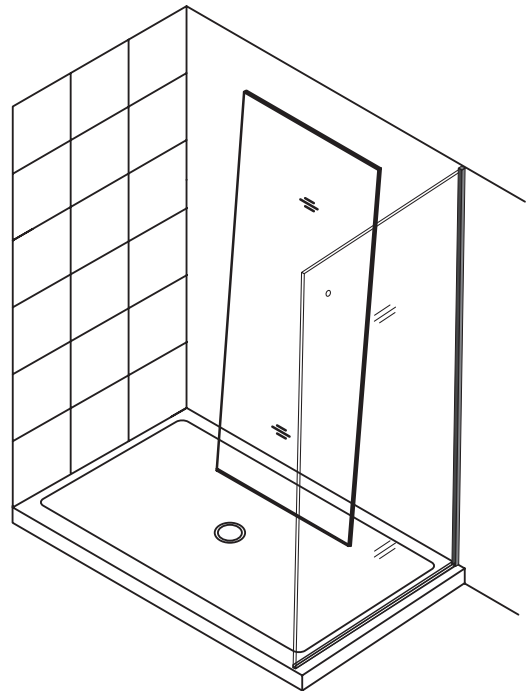
INSTALLATION GUIDE
FOR DOUBLE THRESHOLD SHOWER BASES



IMPORTANT INFORMATION



Place the sliding door panel inside the shower base to simplify following installation procedures. Ensure placing the panel onto a cushioned surface, such as a towel or card board, to prevent damage either to the panel or the shower base.



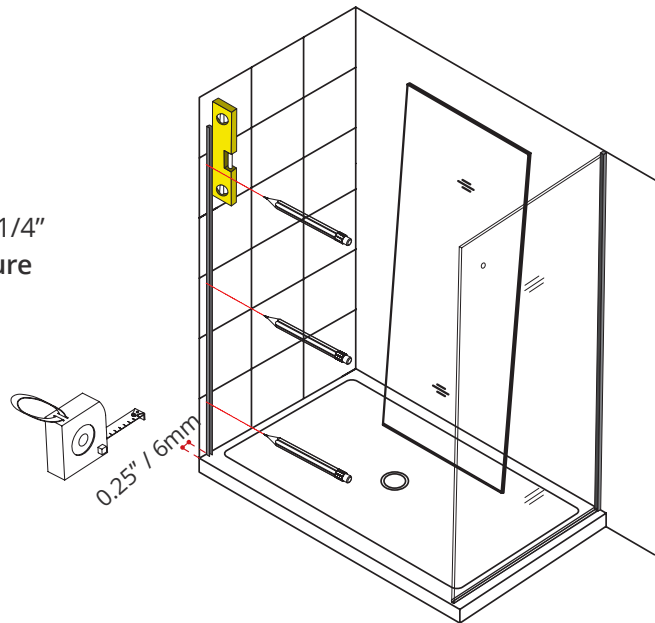
INSTALLATION GUIDE
FOR DOUBLE THRESHOLD SHOWER BASES

SHOWER DOOR INSTALLATION

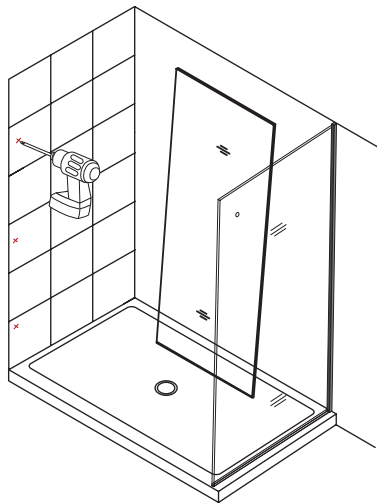
01

Fixed Panel Installation

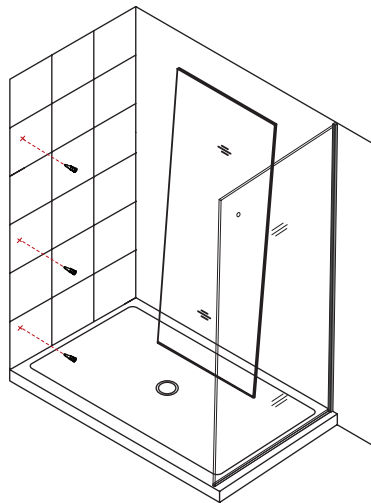
Position the wall profile on threshold, set back 1/4" back from the front of the threshold base. **Ensure that the wall profile is level.** Mark the screw location & Mark the screw position.



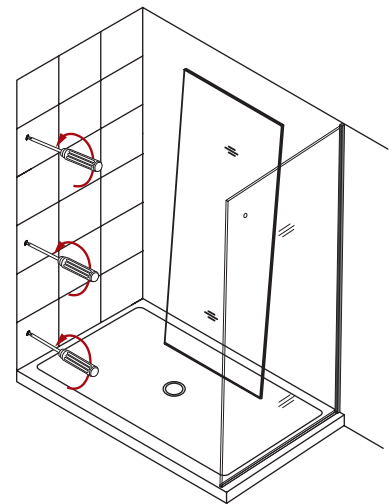
02



2.1 Drill the screw holes on each location over a stud



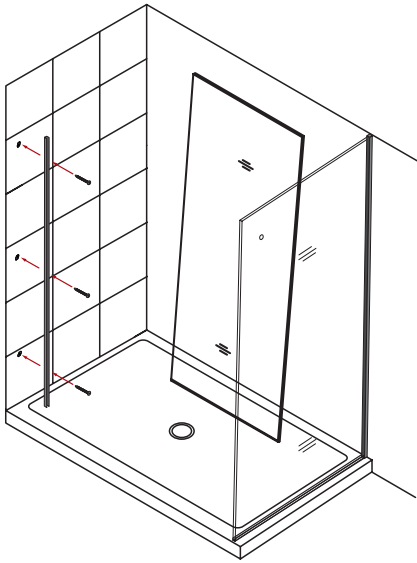
2.2 Insert the wall anchors into place



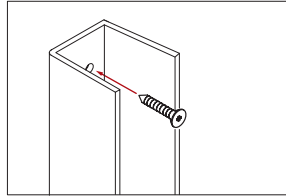
2.3 Tighten the wall anchors with a screwdriver

INSTALLATION GUIDE
FOR DOUBLE THRESHOLD SHOWER BASES

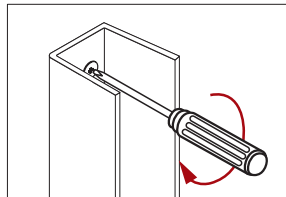
03



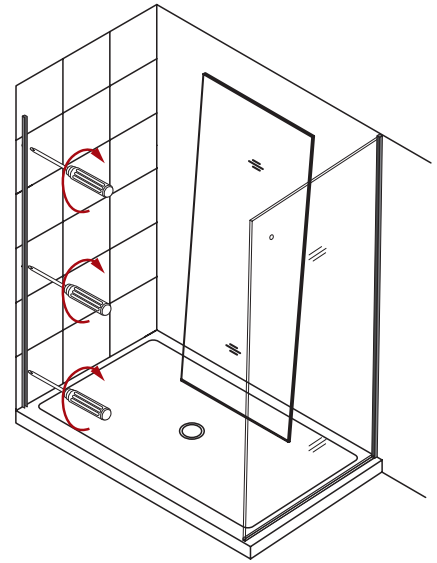
3.1 Drill the screw holes on each location over a stud



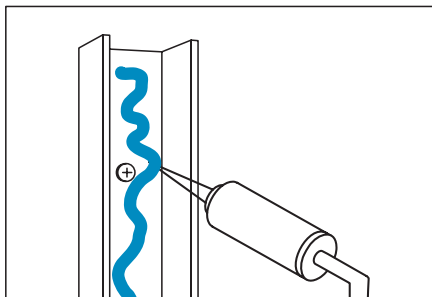
3.2 Insert the screws to the wall profile



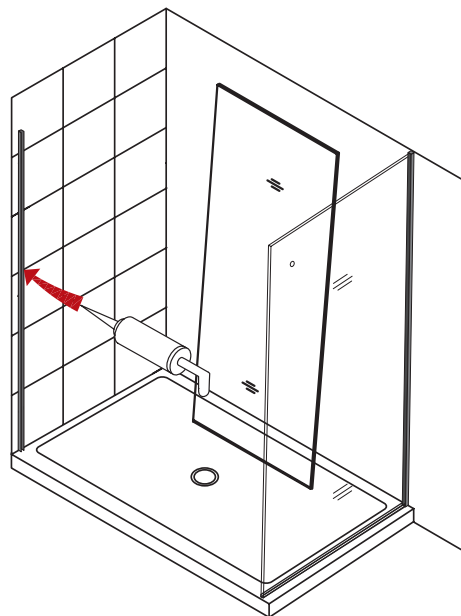
3.3 With the screwdriver, install the wall profiles into place



04

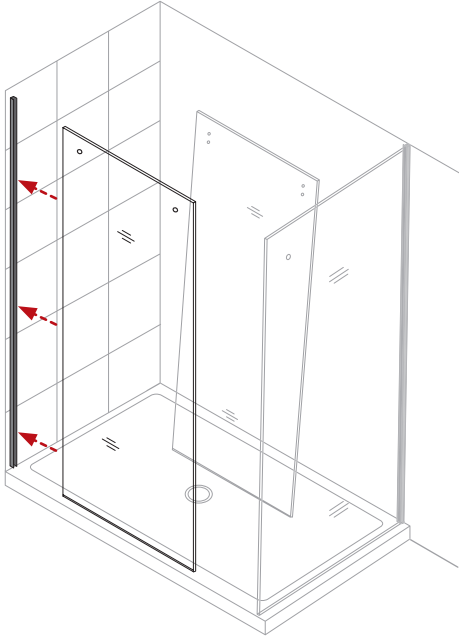


4.1 Apply silicone inside the wall profile as shown

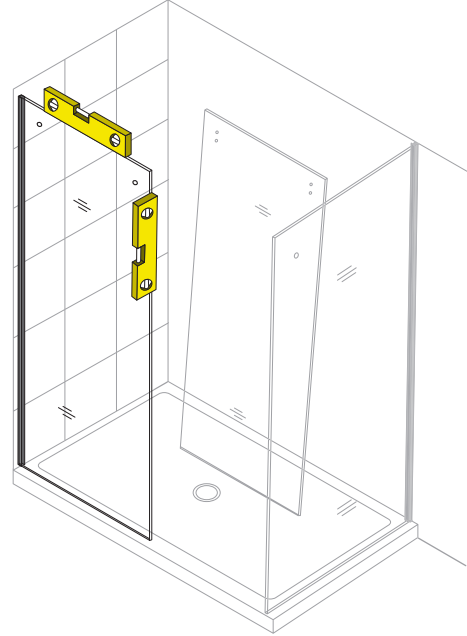


INSTALLATION GUIDE
FOR DOUBLE THRESHOLD SHOWER BASES

05



5.1 Place the fixed panel on the wall profile.



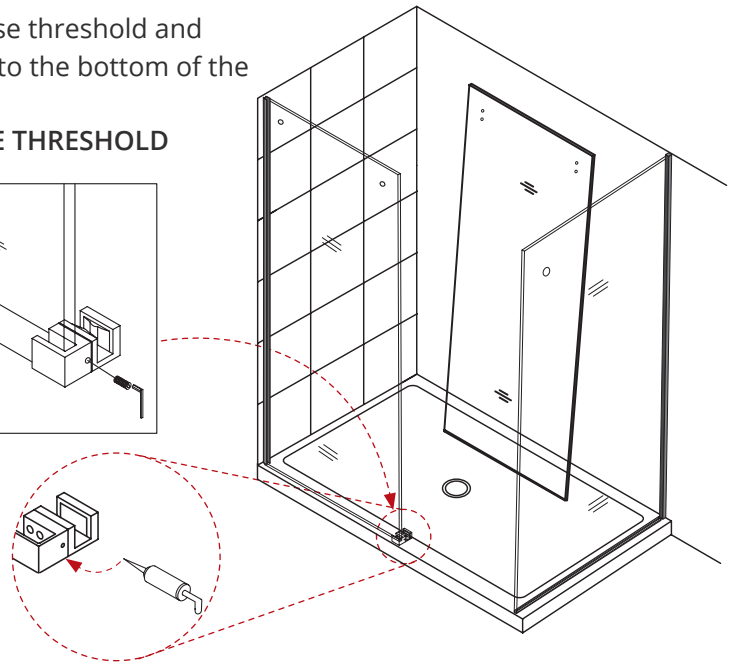
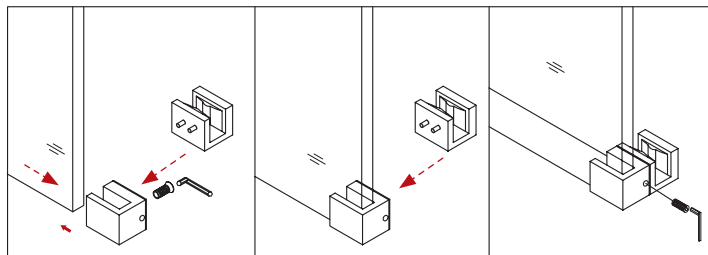
5.2 Make sure the fixed panel is level

06

Guide Block Installation

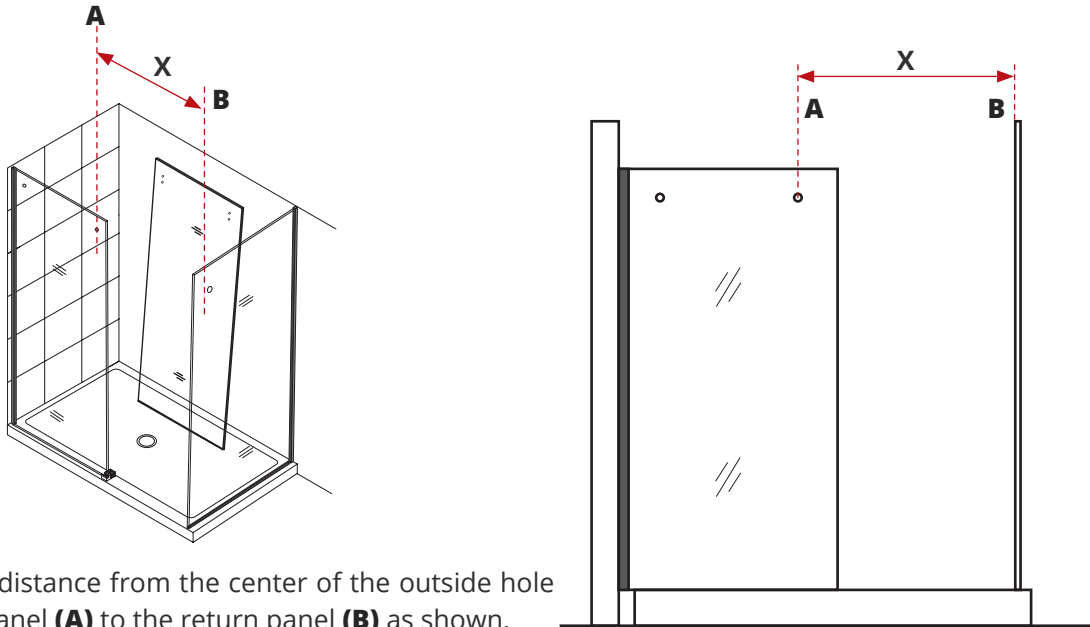
Assembly the Guide Block on the shower base threshold and adjust into a precise position. Apply silicone to the bottom of the Guide Block.

DO NOT SCREW THE BOTTOM STRIP TO THE THRESHOLD



INSTALLATION GUIDE
FOR DOUBLE THRESHOLD SHOWER BASES

07



Measure the distance from the center of the outside hole of the fixed panel **(A)** to the return panel **(B)** as shown.

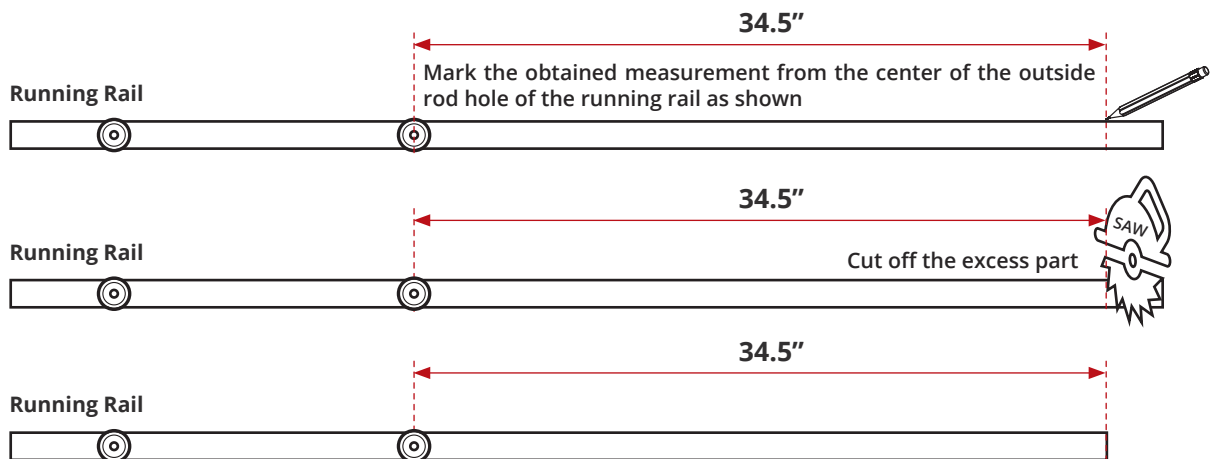
08

Running Rail

The Running Rail needs to be cut a 1/2" shorter of the overall opening (X).

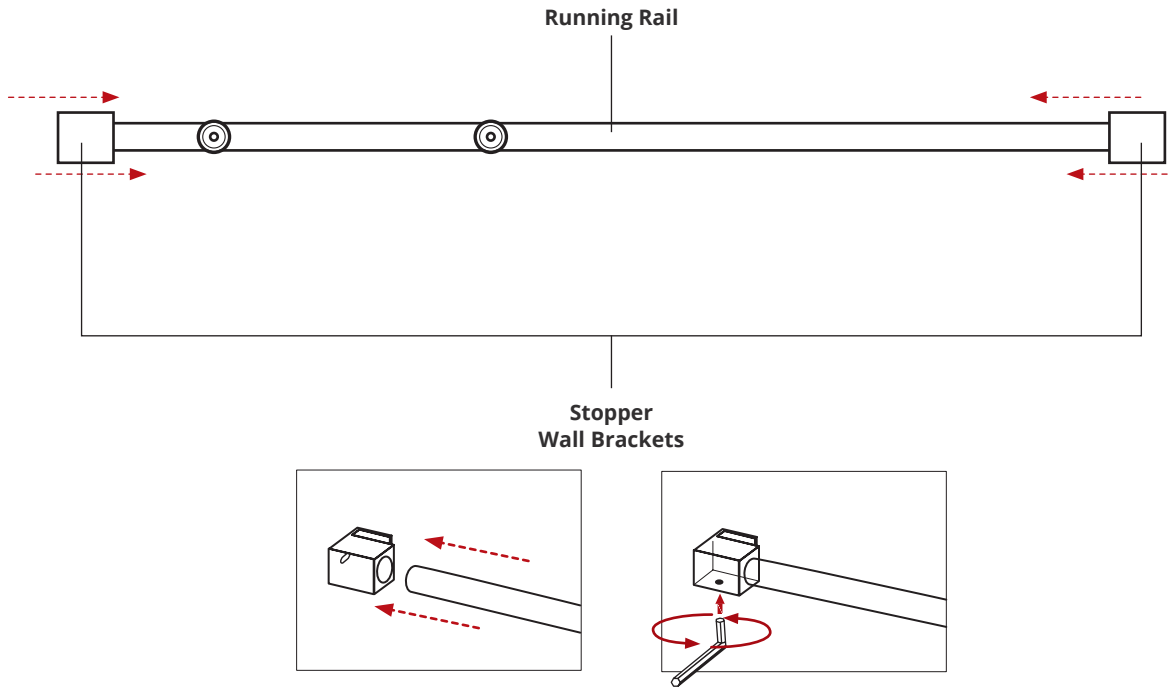
Let's break down an example

Measurement X = 35" minus 1/2" = **34.5"**

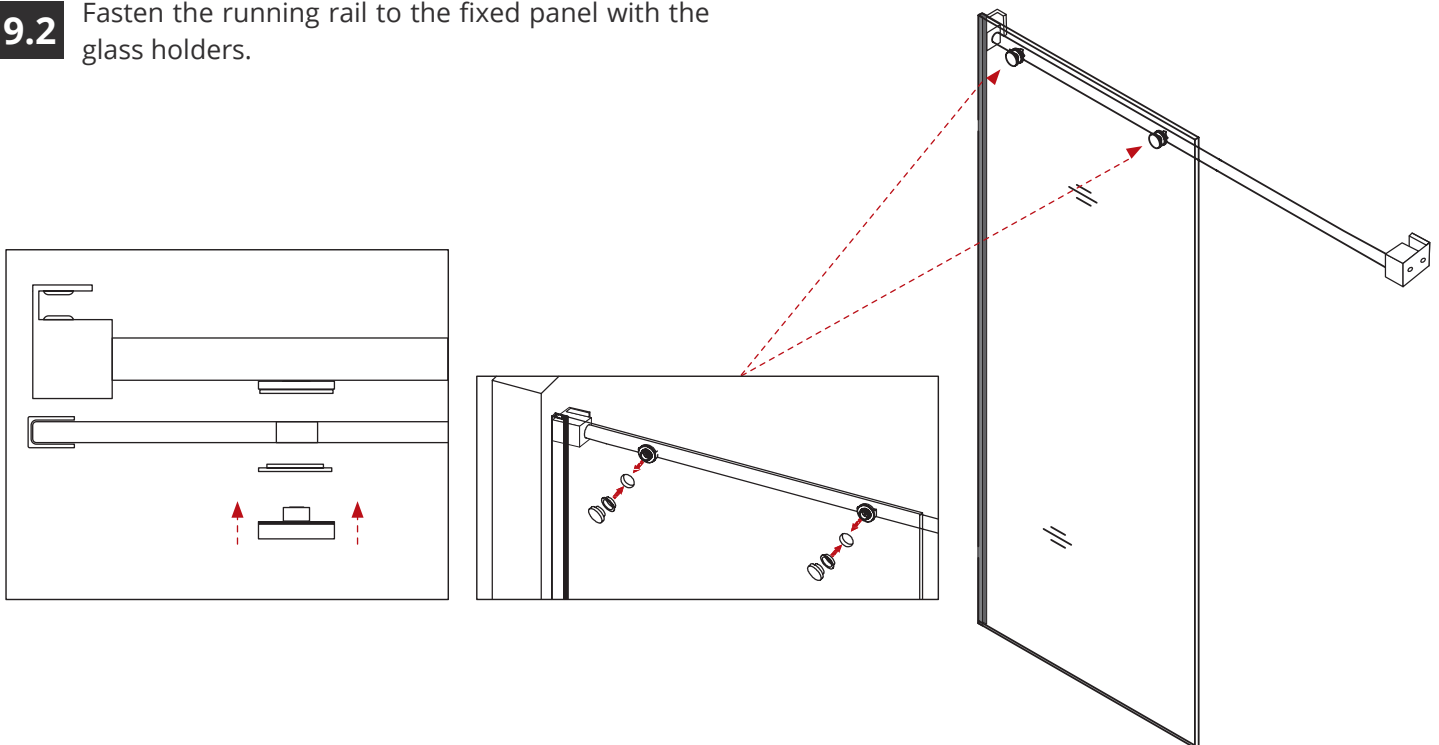


INSTALLATION GUIDE
FOR DOUBLE THRESHOLD SHOWER BASES

9.1 Position the stoppers wall brackets on the running rail as illustrated. Secure them temporarily in place

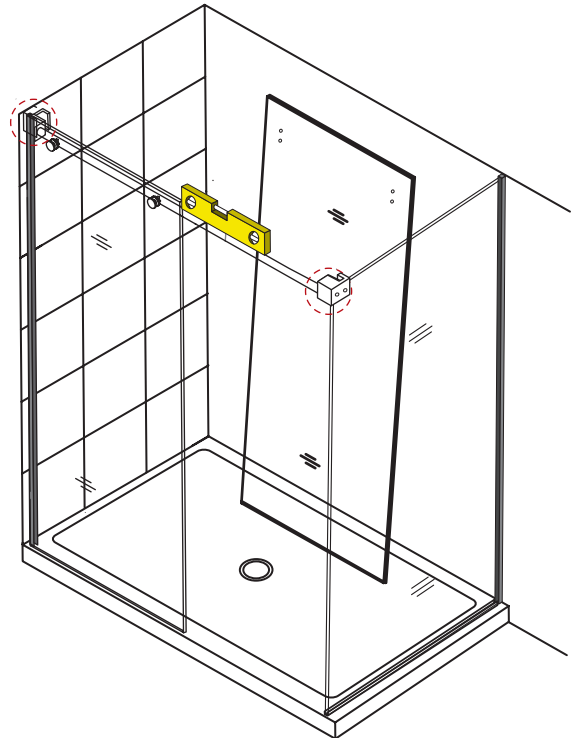
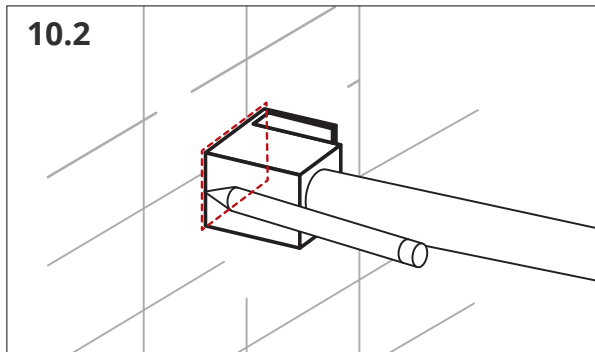
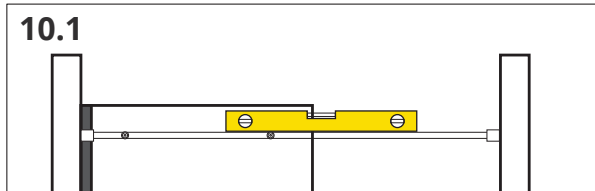


9.2 Fasten the running rail to the fixed panel with the glass holders.

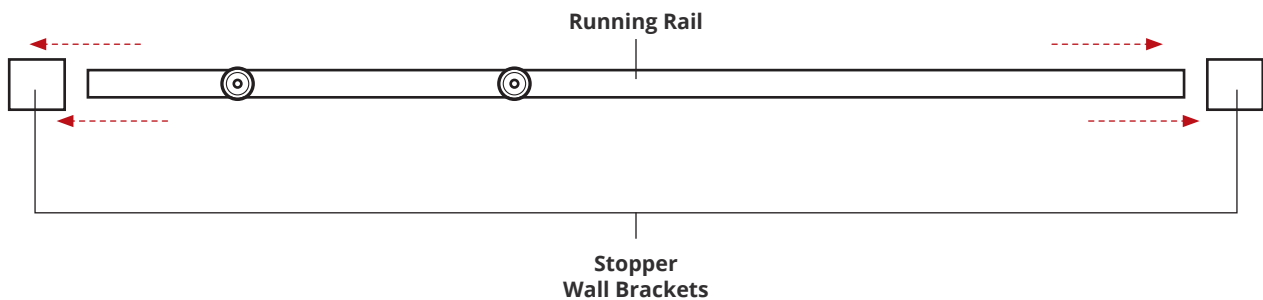
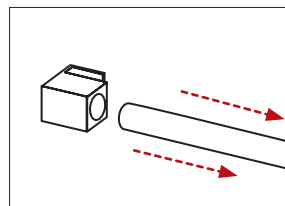
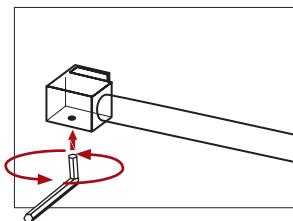


INSTALLATION GUIDE
FOR DOUBLE THRESHOLD SHOWER BASES

- 10** 10.1 - Level the running rail
10.2 Mark the stopper bracket position as shown

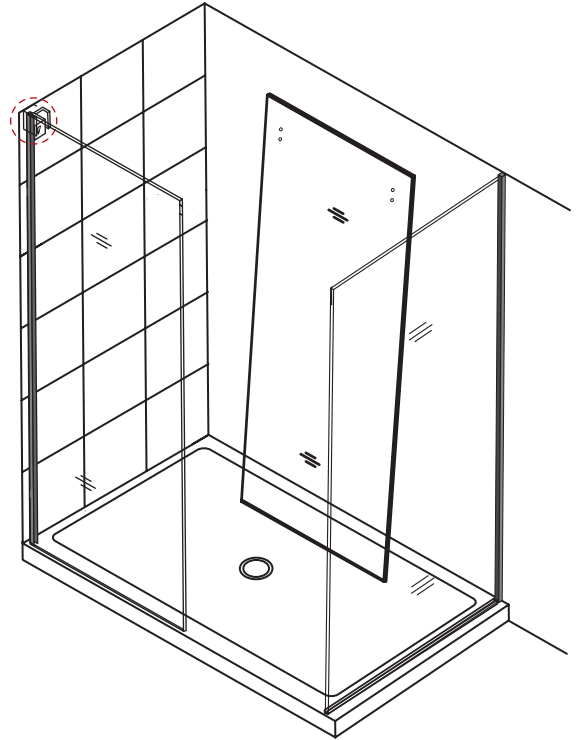
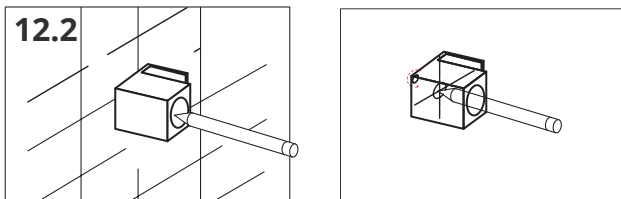
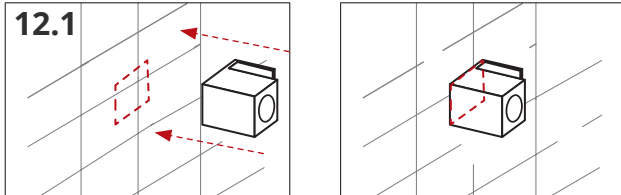


- 11** Remove the stoppers brackets from the running rail

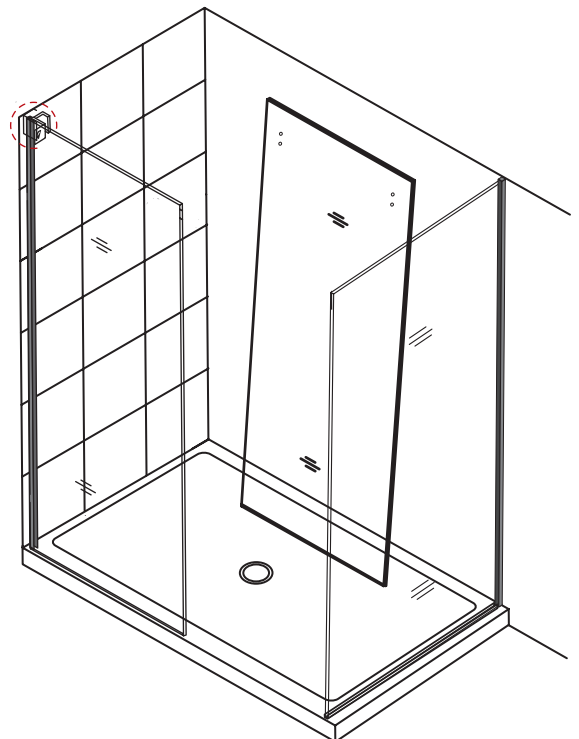
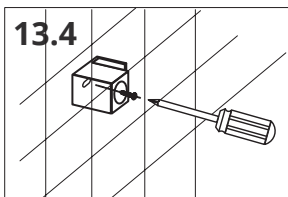
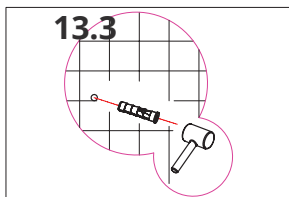
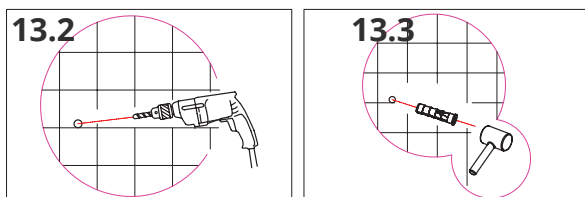


INSTALLATION GUIDE
FOR DOUBLE THRESHOLD SHOWER BASES

- 12** 12.1 - Place the stopper brackets into position.
12.2 - Mark the stopper brackets screw location.

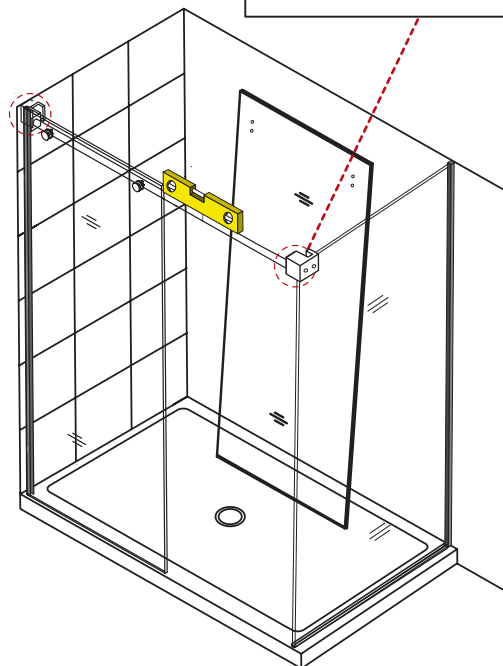
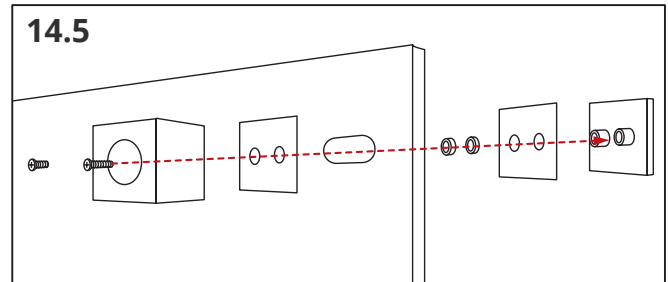
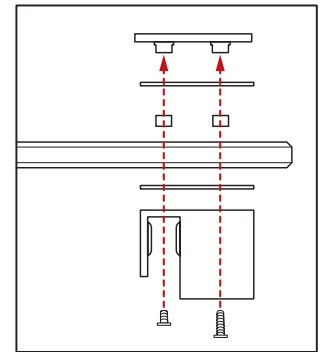
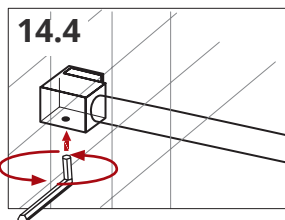
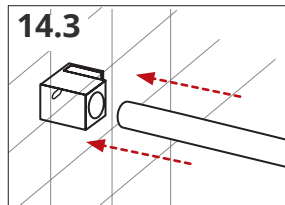
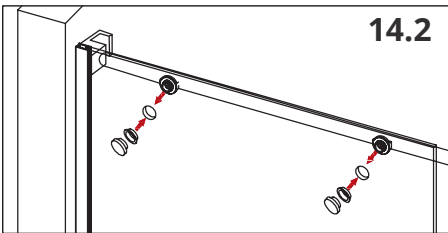
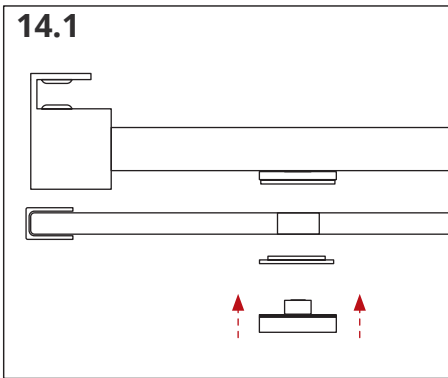


- 13** 13.1 Remove stopper bracket.
13.2 Drill the screw holes.
13.3 Tighten the wall anchor.
13.4 Install stopper bracket sleeves on both sides.



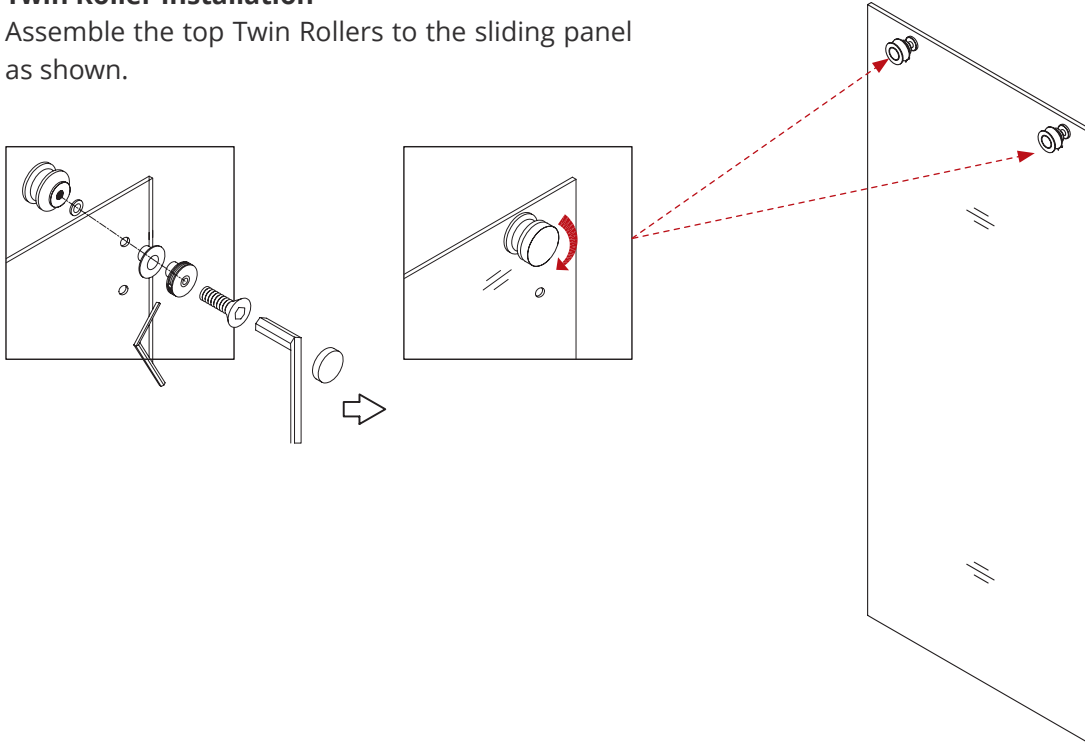
INSTALLATION GUIDE
FOR DOUBLE THRESHOLD SHOWER BASES

- 14** Install the running rail into place.
Fasten the running rail to the fixed panel with the glass holders.

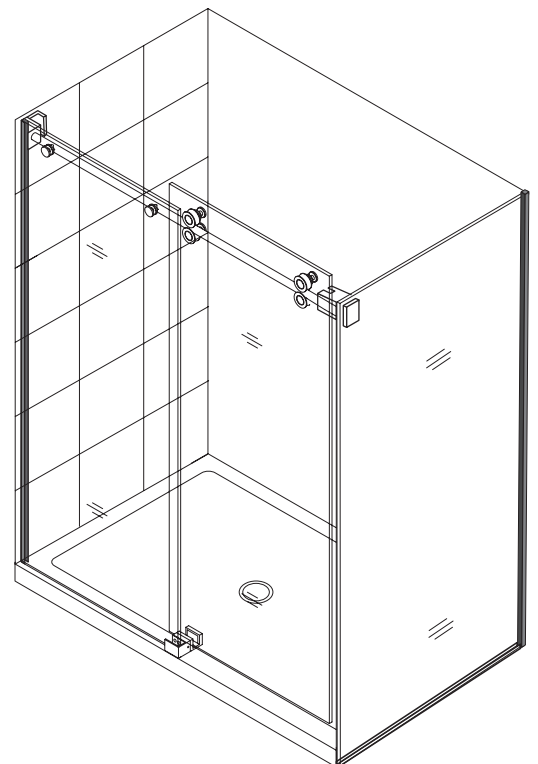
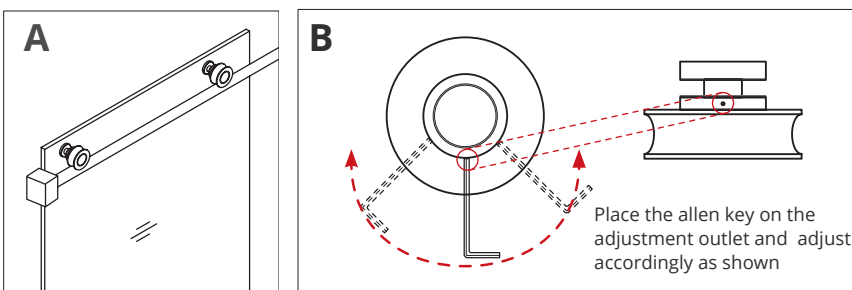


INSTALLATION GUIDE
FOR DOUBLE THRESHOLD SHOWER BASES

- 15** **Twin Roller Installation**
Assemble the top Twin Rollers to the sliding panel as shown.



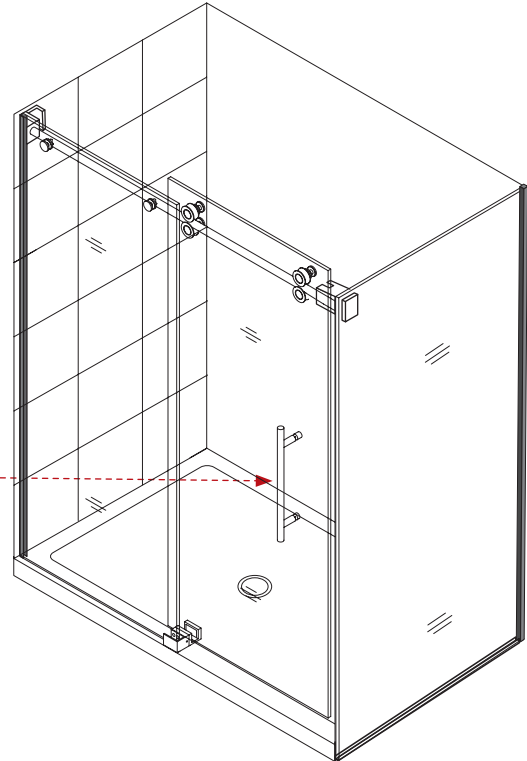
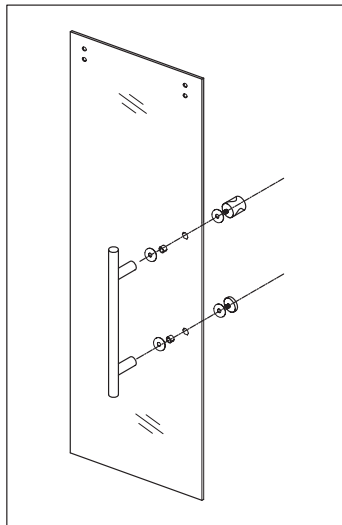
- 16** Install sliding door ensuring that the top rollers are installed first. Adjust the top rollers accordingly. Fix the top rollers over the running rail. Ensure that sliding door is placed within the Guide Block.



INSTALLATION GUIDE
FOR DOUBLE THRESHOLD SHOWER BASES

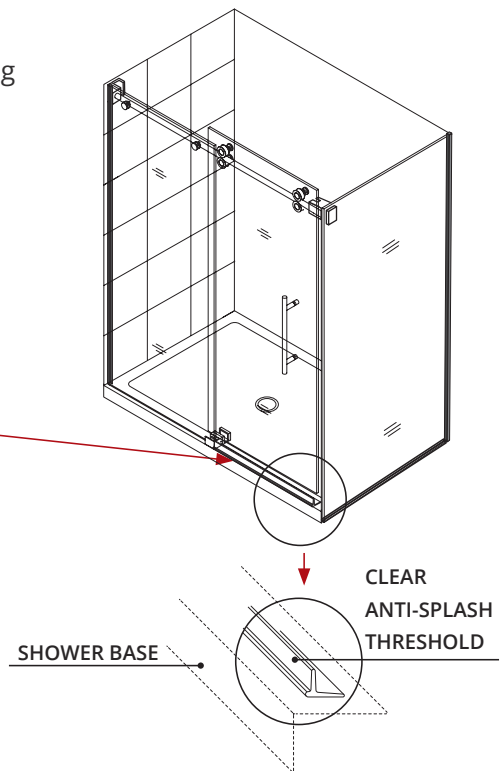
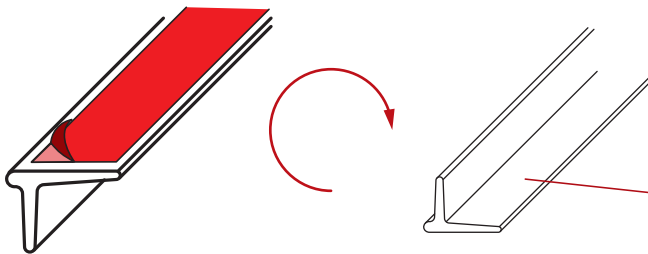
17 Handle Installation.

Make sure to have a gasket in either side of the glass door, to make sure the metal is not touching the tempered glass.



18 Clear Anti-splash threshold installation.

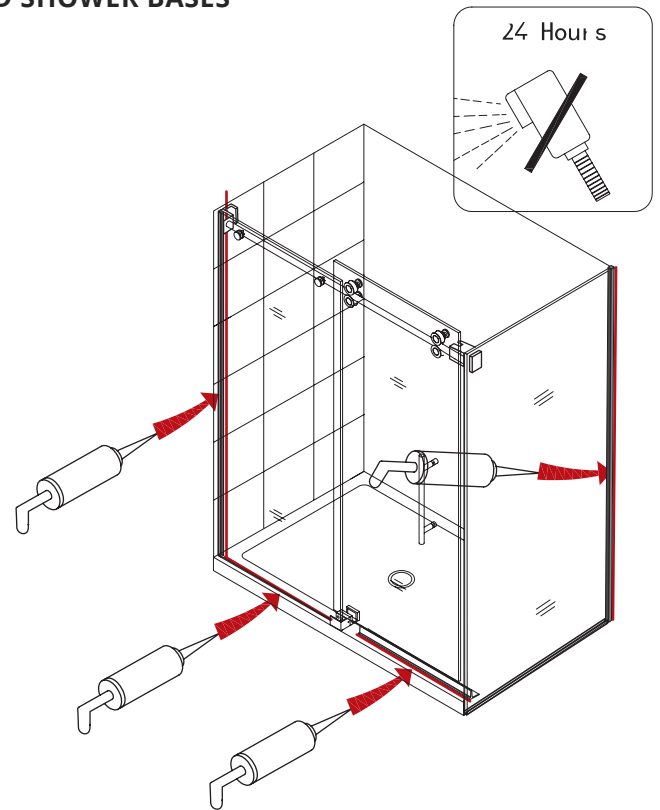
- Remove the adhesive tape
- Make sure to clean the shower base threshold before placing the anti-splash threshold.
- Place the anti-splash threshold into place



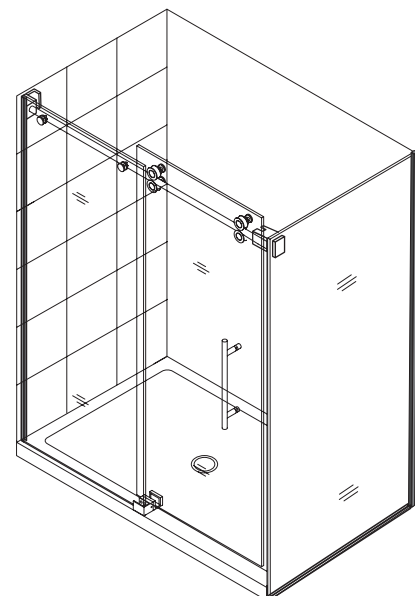
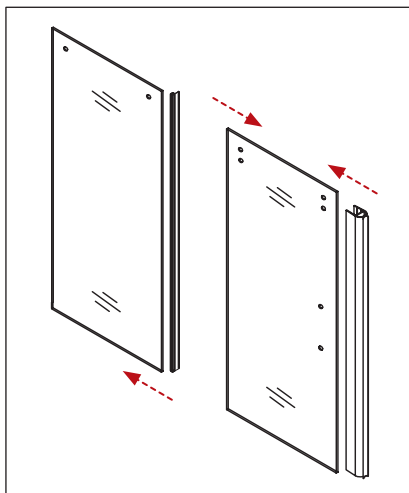
INSTALLATION GUIDE
FOR DOUBLE THRESHOLD SHOWER BASES

19 Apply silicone as shown. Silicone application along the length of the threshold is also suggested. In both cases, it is done from the outside of the shower area.

PLEASE ALLOW 24 HOURS FOR THE SILICONE TO FULLY CURE BEFORE USING THE SHOWER.



20 U-Gasket installation. Thoroughly clean the edges of the fixed panel and the sliding door panel. Install the Anti-water strip (F-shape) onto the vertical edge of the fixed panel and the U-Gaskets on the sliding door panel.



INSTALLATION GUIDE
FOR DOUBLE THRESHOLD SHOWER BASES