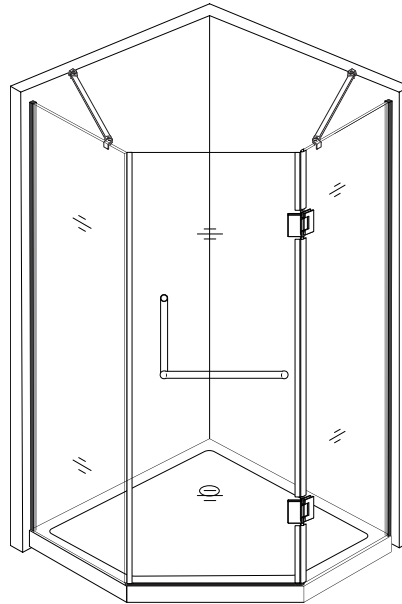


INSTALLATION GUIDE



IMPORTANT INFORMATION



***SHOWER DOOR NEED TO BE DRY-FITTED
BEFORE DRILLING ANY HOLE***

Thank you for choosing Valley Bath & Kitchen products.

This installation manual provides important information for installing your new shower door. Please carefully follow the steps below for a smooth installation process.

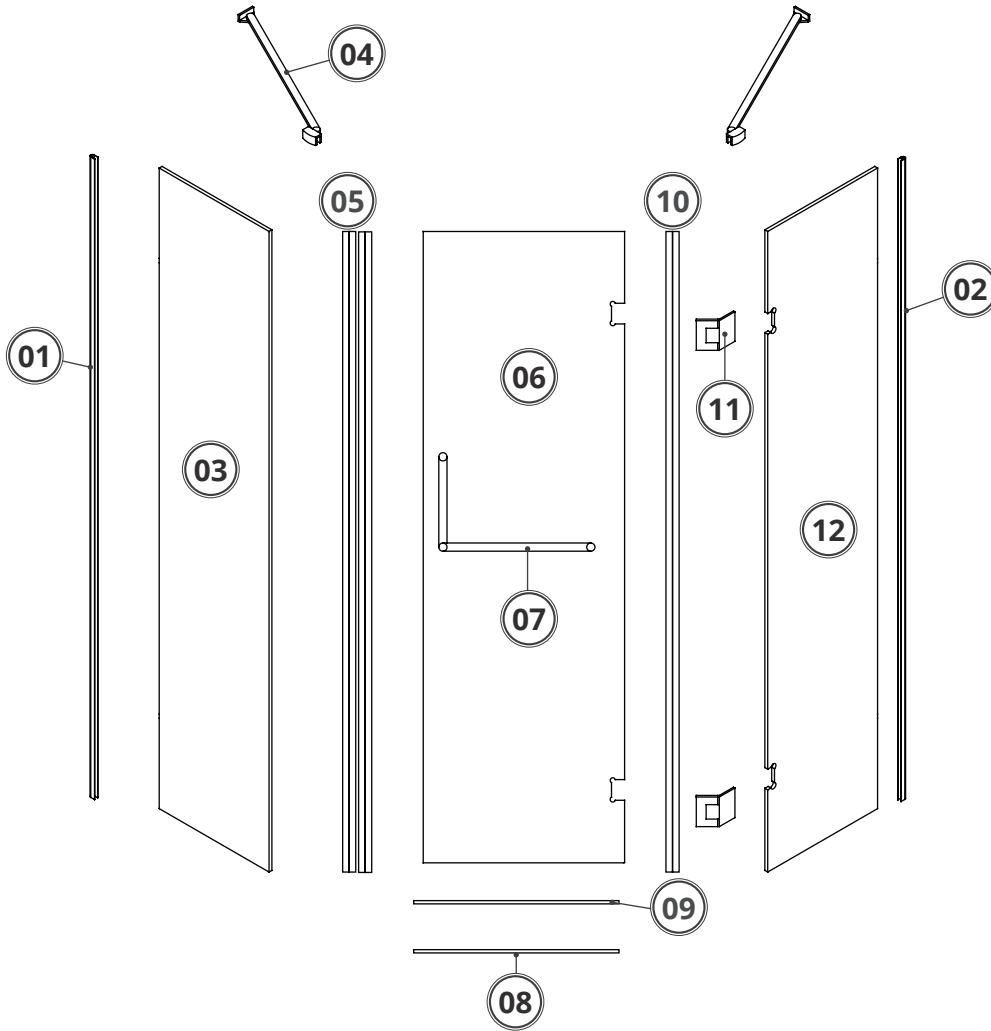
BEFORE YOU BEGIN

This installation should be performed by a qualified professional.

- **Inspect Packages:** Before starting, check all boxes and packages for any shipping damage and ensure the piece count matches the packing slip.
- **Verify Parts:** Open all packages and use the "Detailed Diagram of Shower Enclosure Components" to ensure all necessary parts are included. If there are missing parts, damages, or defects, contact us within 3 business days. After this period, or if the product has been installed, replacements may not be provided free of charge.
- **Surface Preparation:** Ensure the surface is level, solid, and capable of supporting the unit's weight. Verify the walls are plumb. Uneven surfaces or out-of-square conditions can lead to installation issues. Note: Some adjustments and drilling may be required during installation. Protect all surfaces of the product during the process.

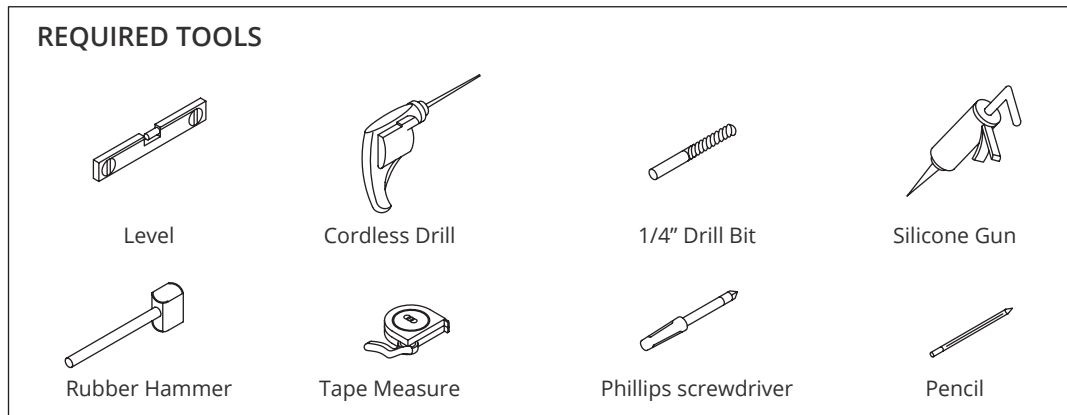
Important: This door is reversible for left or right-hand installation. Right-hand installation is used as an example in this manual. For left-hand installation, simply reverse the steps.

PARTS BREAKDOWN



No.	DESCRIPTION	QTY
01	Wall profile	1
02	Wall profile	1
03	Fixed Panel	1
04	Pull Rod	2
05	Magnetic Strips	1
06	Swing Door Panel	1
07	Handle	1
08	Anti-splash threshold	1
09	Bottom Gasket (Door Panel)	1
10	Gasket (Door Panel)	1
11	Hinges	2
12	Fixed Panel	1

INSTALLATION GUIDE

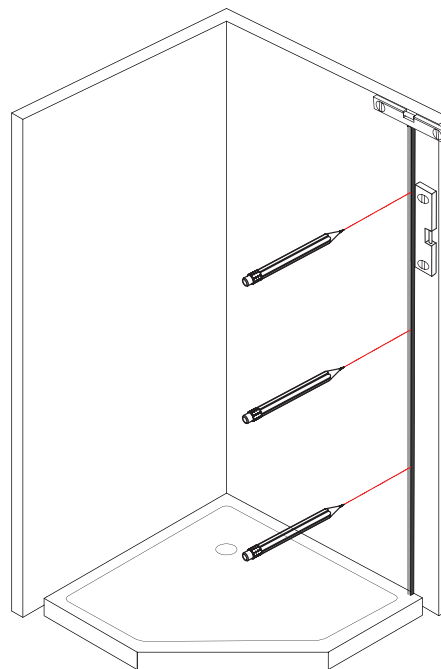


IMPORTANT INFORMATION



***SHOWER DOOR NEED TO BE DRY-FITTED
BEFORE DRILLING ANY HOLE***

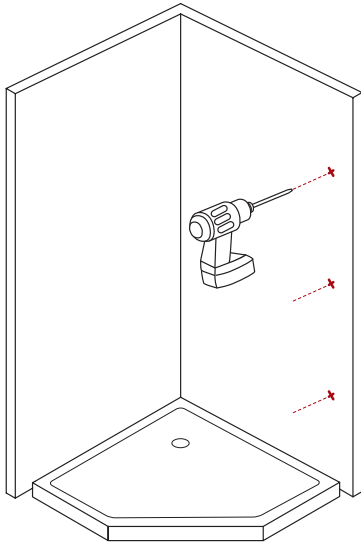
- 01** Position the wall profile on the threshold according to the tile thickness. Ensure the wall profile is level. Mark the screw locations.



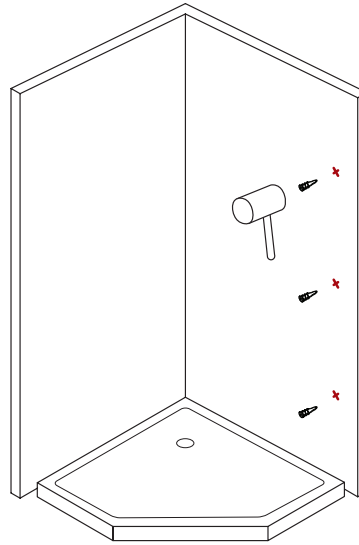
INSTALLATION GUIDE

02

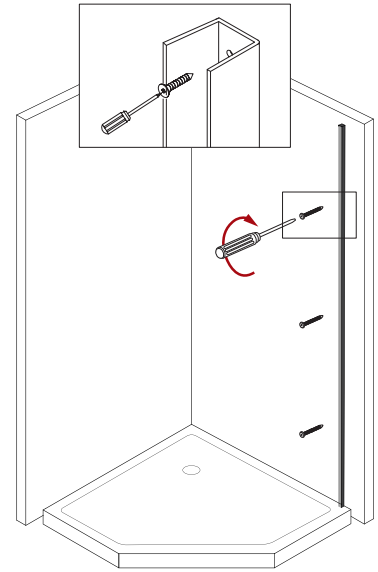
2.1 - Drill holes at the marked screw locations.



2.2 - Insert wall anchors into the drilled holes.

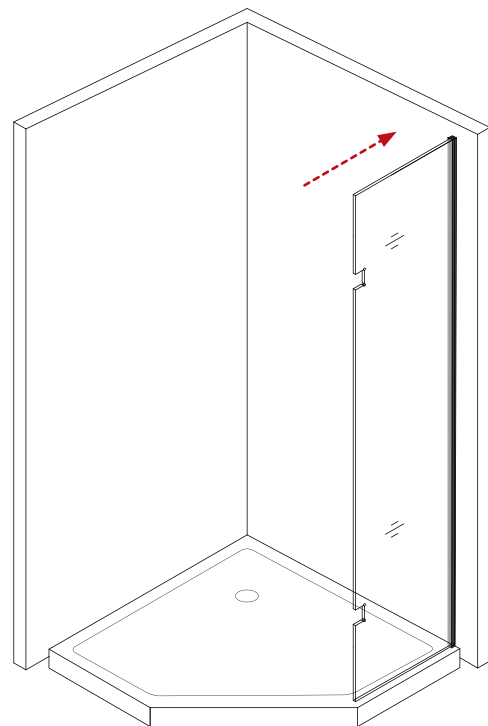
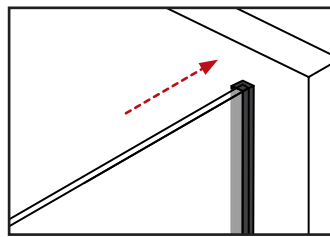
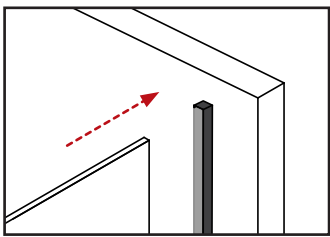


2.3 - Secure the wall profile into place.



03

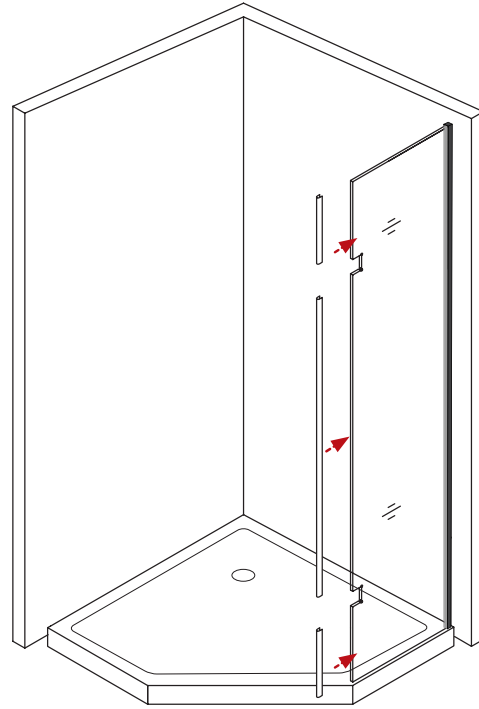
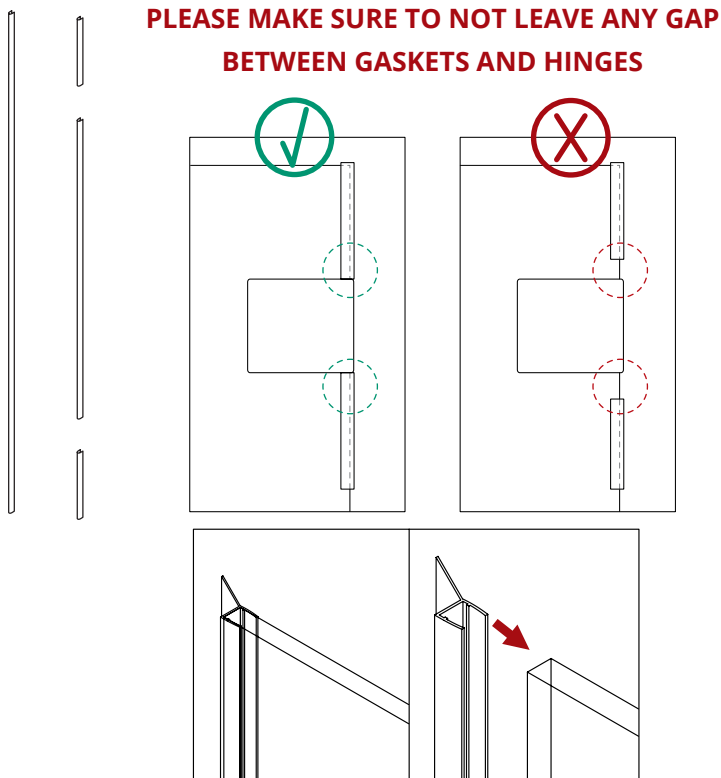
Insert the fixed panel into the wall profile.



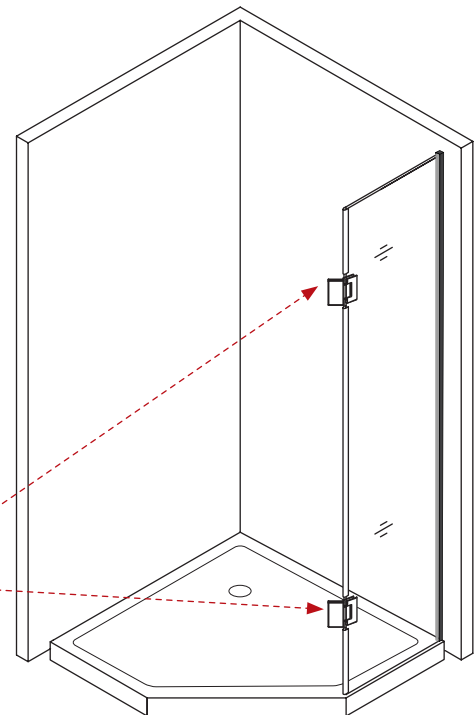
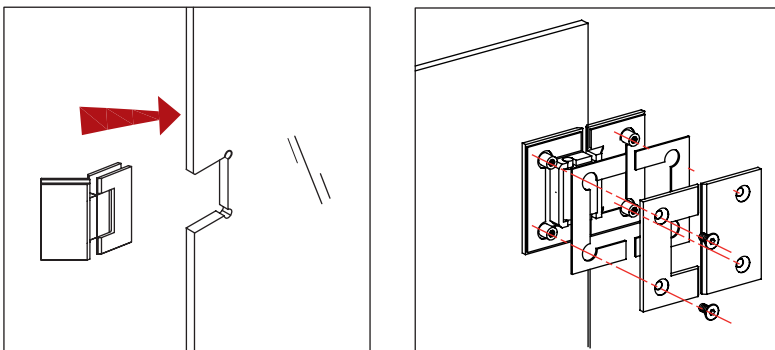
INSTALLATION GUIDE

- 04** Thoroughly clean the edge of the fixed panel. Install the H-Gasket on the hinge side of the panel, cutting the gasket to fit around the hinges.

Cut the gasket in 3 pieces accordingly around the hinges

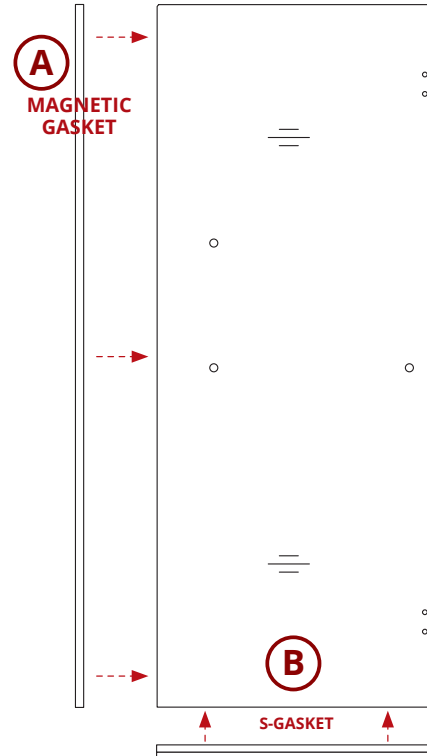
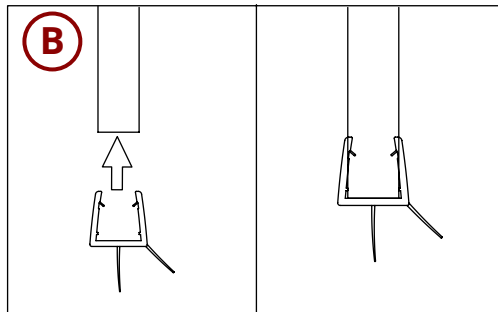
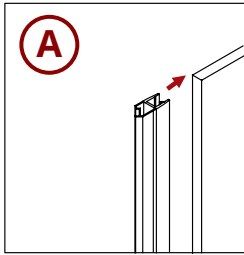


- 05** Install the hinges on the fixed panel.

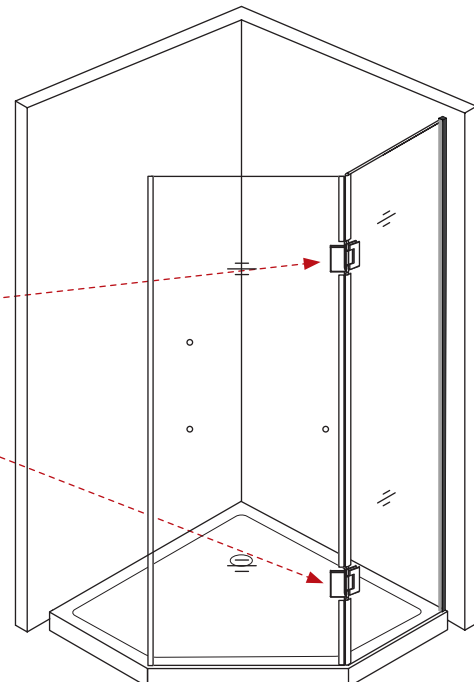
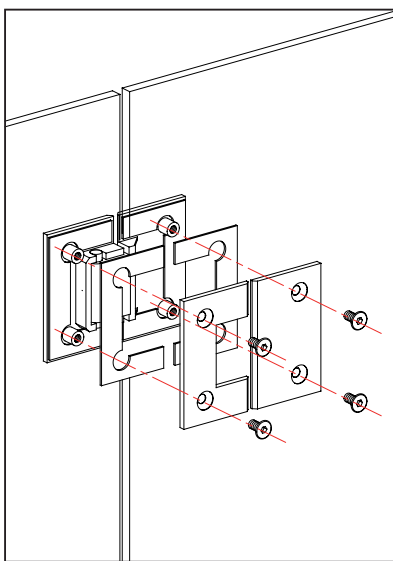


INSTALLATION GUIDE

- 06** Clean the edges of the swinging door panel. Install the Magnetic Gasket and Anti-Water Strips (H-shaped gasket) on the swinging door panel.

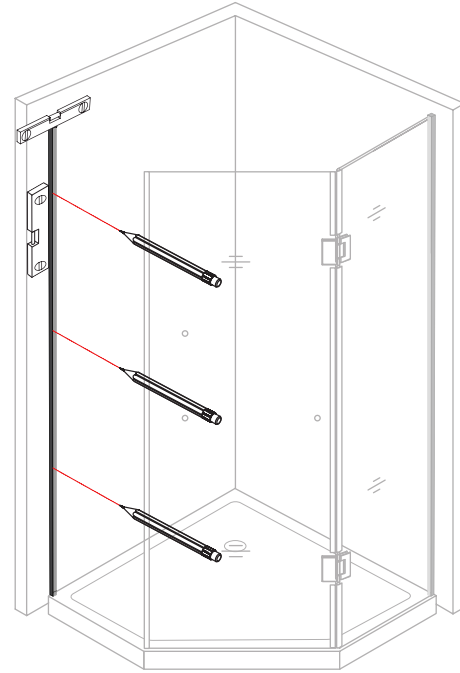


- 07** Install the swinging door panel into place.

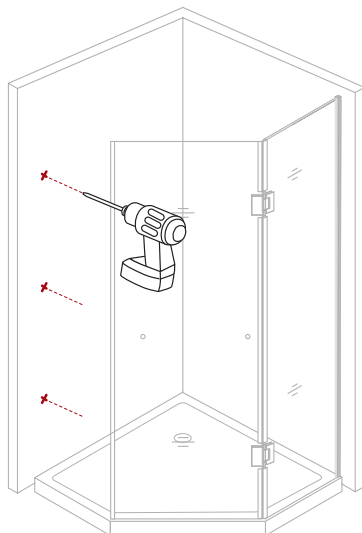


INSTALLATION GUIDE

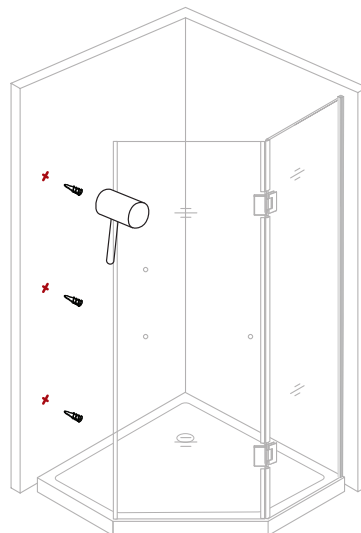
- 08** Position the wall profile on the threshold based on the tile thickness. Ensure it is level. Mark the screw locations again.



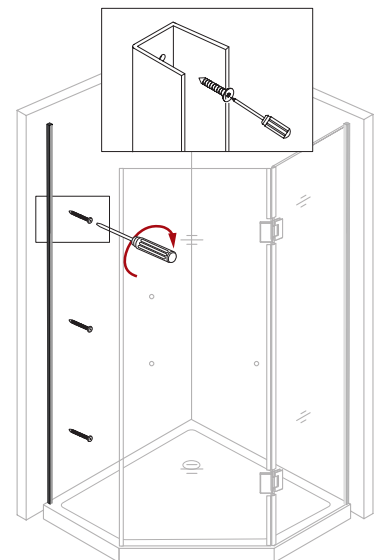
- 09** **9.1 -** Drill the screw holes on wall.



- 9.2 -** Insert the wall anchors.

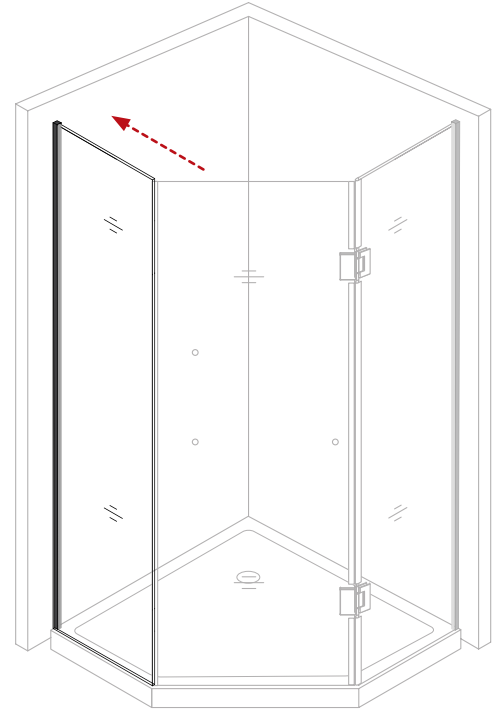
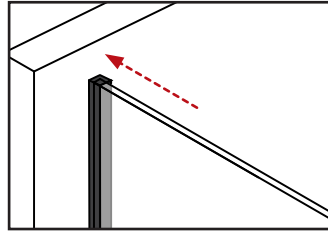
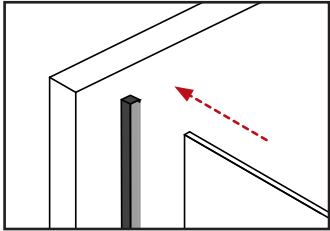


- 9.3 -** Secure the wall profile into place.

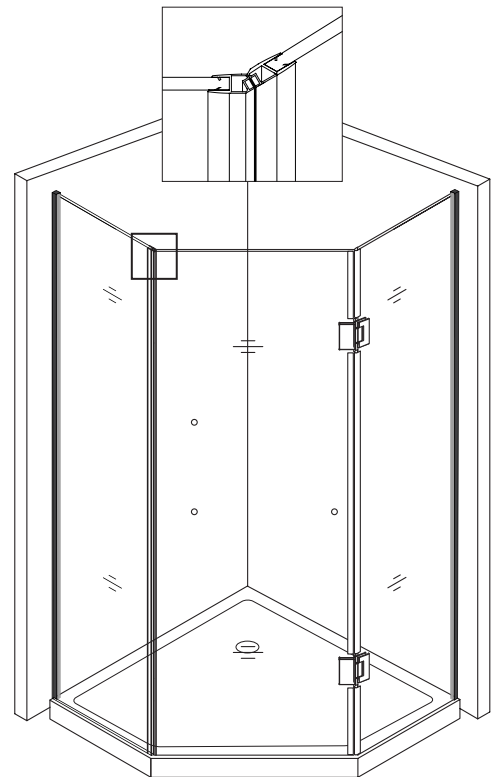
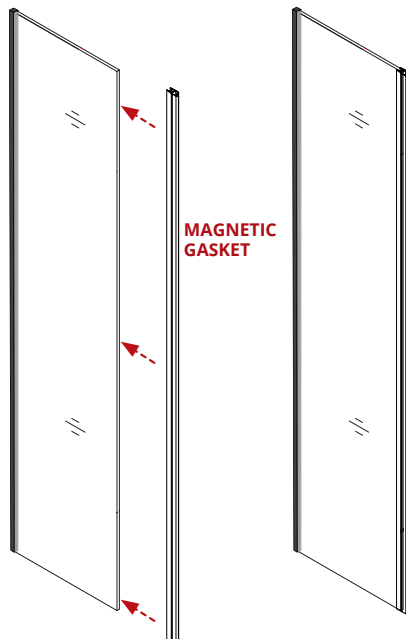


INSTALLATION GUIDE

10 Insert the fixed panel into the wall profile.

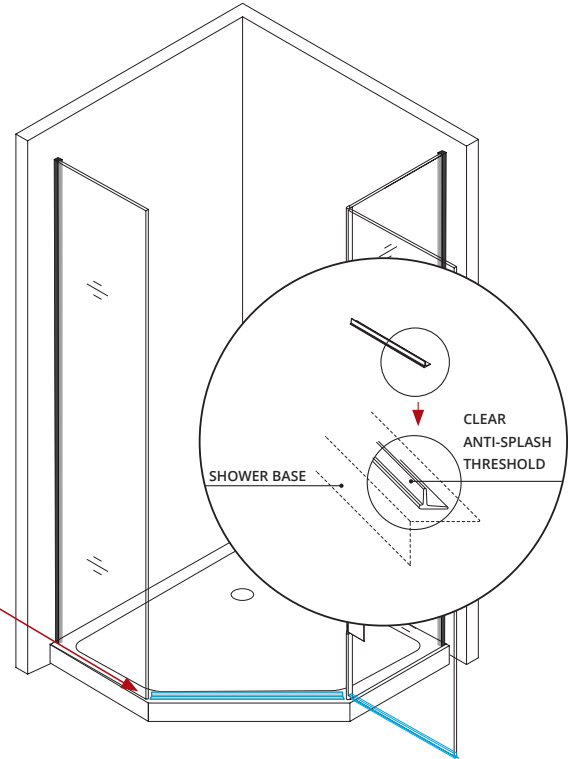
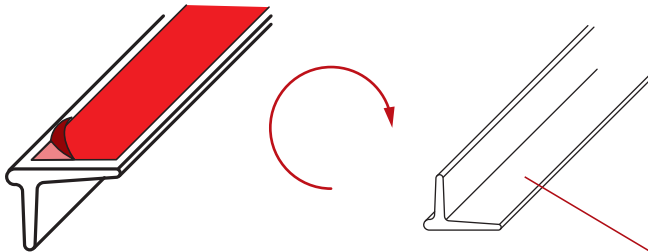


11 Thoroughly clean the edge of the fixed panel.
Install the Magnetic Gasket.

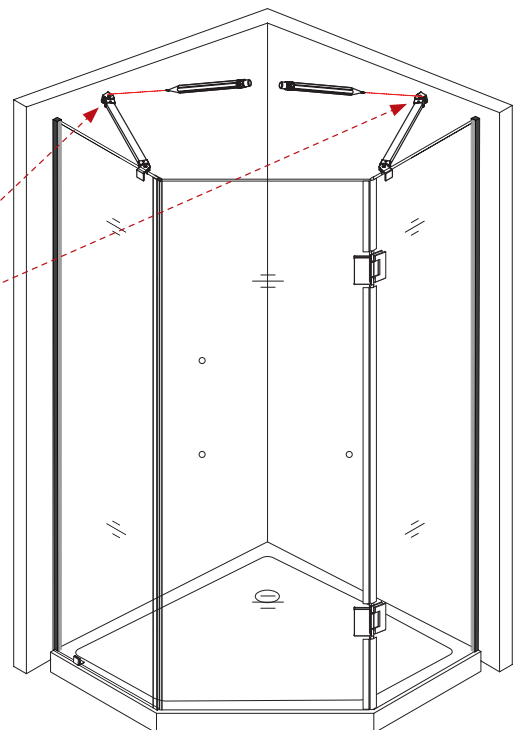
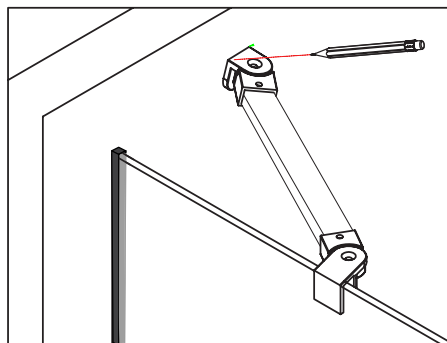


INSTALLATION GUIDE

- 12** **Install the Clear Anti-Splash Threshold:**
- Remove the adhesive tape
 - Clean the shower base threshold.
 - Place the anti-splash threshold into place

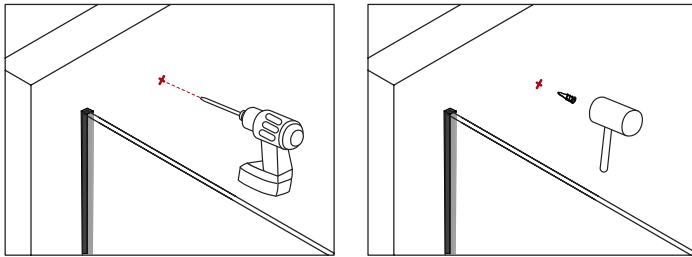


- 13** Position the structural arm and mark the screw locations for the panel support.

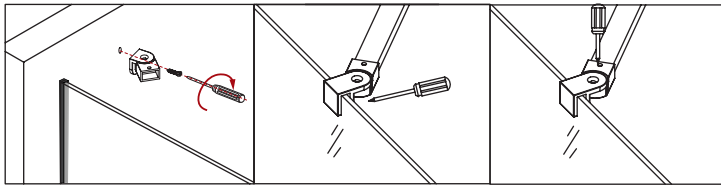


INSTALLATION GUIDE

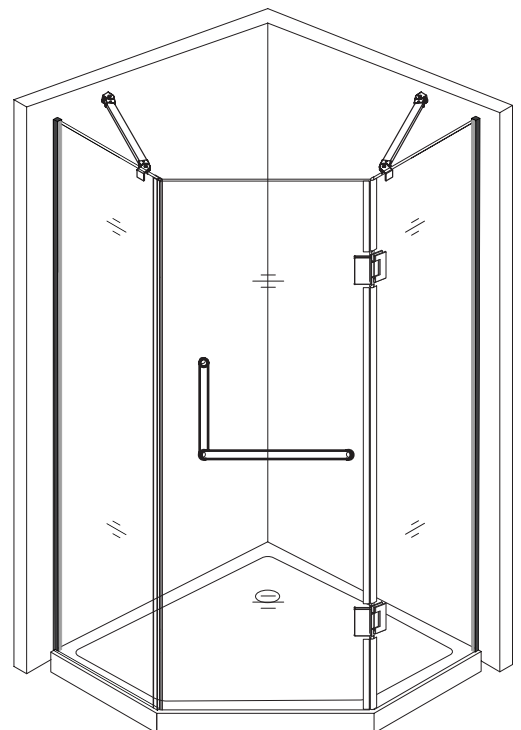
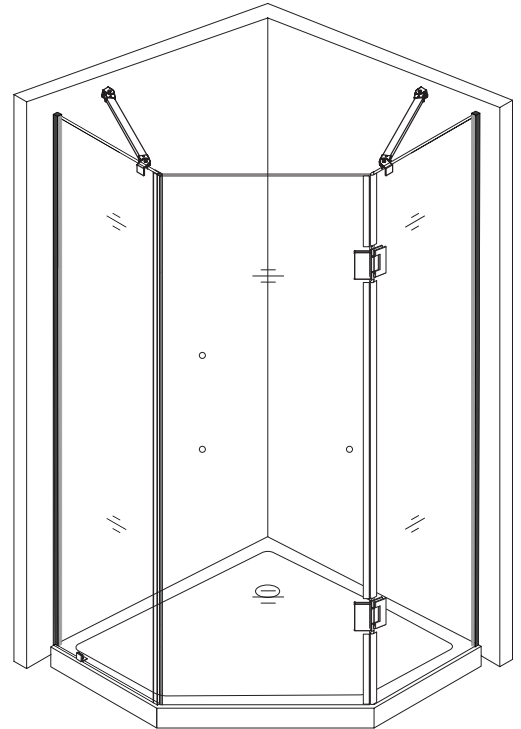
- 14.A** Remove the structural arms and drill the holes for the screws. Insert wall anchors.



- 14.B** Secure the structural arms in place.



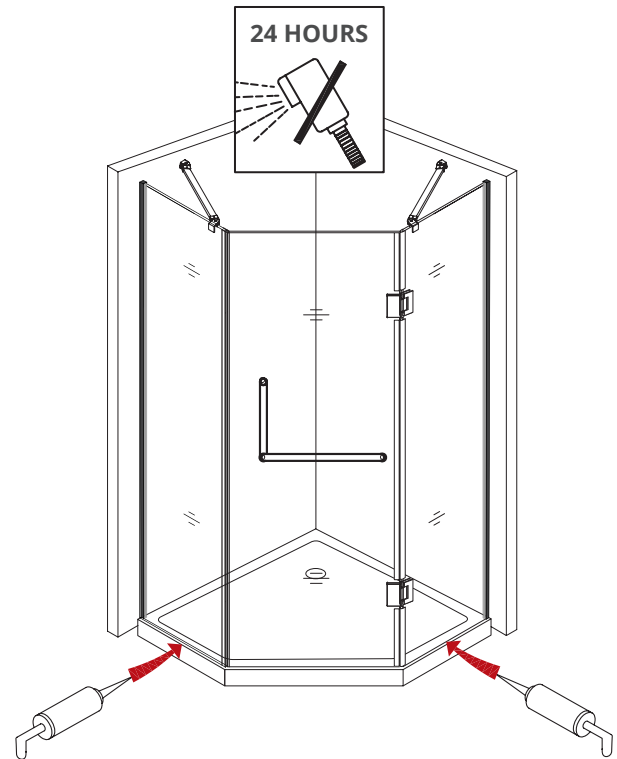
- 15** **Handle Installation.**
Ensure a gasket is placed on both sides of the glass door. This will prevent the metal handle from directly touching the tempered glass and provide a secure fit.



INSTALLATION GUIDE

- 16** Apply silicone between the bottom of the fixed panels and the threshold of the base. It is also recommended to apply silicone along the length of the threshold. Apply the silicone from the outside of the shower area.

PLEASE ALLOW 24 HOURS FOR THE SILICONE TO FULLY CURE BEFORE USING THE SHOWER.



CLEANING AND MAINTENANCE



- Avoid using abrasive cleaning products like polishing powders or detergents.
- Clean your Valley shower door regularly with a non-abrasive, soapy cloth, and then dry with a soft towel or cloth for optimal results.

INSTALLATION GUIDE

VALLEY⁺
BATH & KITCHEN
...you dream it, we create it

Congratulations! You are now a part of the Valley Bath & Kitchen family, and an owner of a great product!