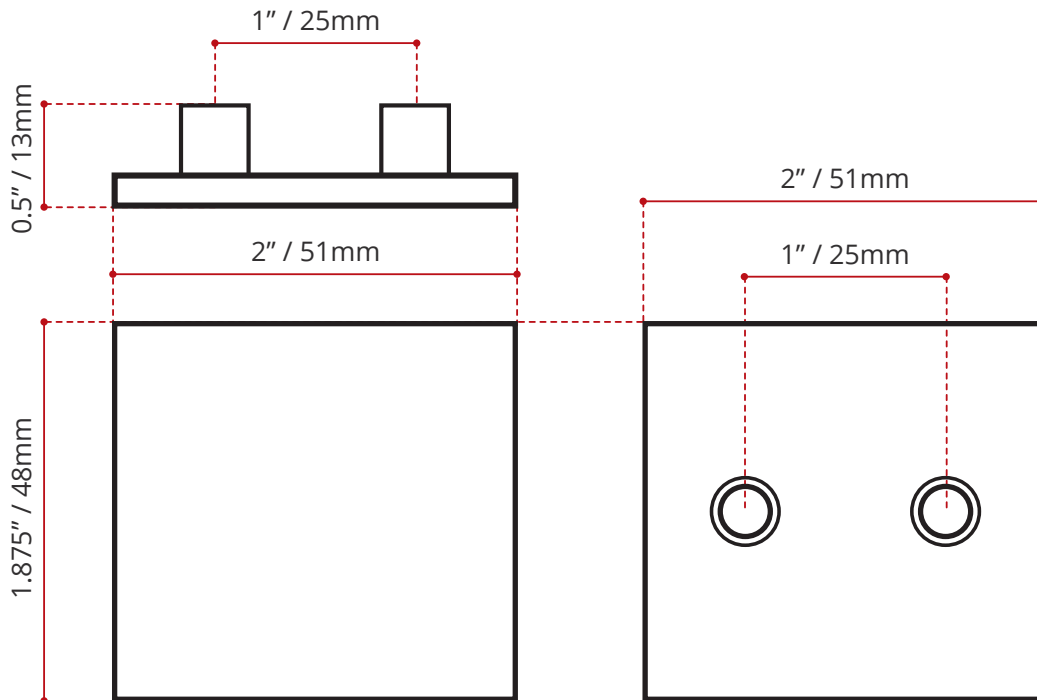


DESCRIPTION:

- SD10A Stopper Cap
- Brushed Stainless steel finish
- Comes with screws and anchors



**DISCLAIMER: Measurements may vary  $\pm$  1/4" (Diagram Not to scale)**