



COLOUR OPTIONS ARE MADE TO ORDER - NO REFUND - NO RETURN -

BLACK FINISH
MODEL No: SDTCD7236L2 (LEFT HAND THRESHOLD)
MODEL No: SDTCD7236R2 (RIGHT HAND THRESHOLD)

BISCUIT FINISH
MODEL No: SDTCD7236L3 (LEFT HAND THRESHOLD)
MODEL No: SDTCD7236R3 (RIGHT HAND THRESHOLD)

Valley's double threshold, center drain acrylic shower bases are meant to be installed a corner setting. All acrylic shower bases have been redesigned with a minimal 3" threshold. Valley's acrylic shower bases are made at our facility in Mission, BC (Canada) out of high gloss, crack-resistant acrylic.

DESCRIPTION:
<ul style="list-style-type: none"> • Double Threshold / Opening • White Finish • Left or right hand threshold opening • Center Drain • High gloss / Crack-resistant acrylic. • Made in Canada. • Complies with CSA & IAPMO standards.

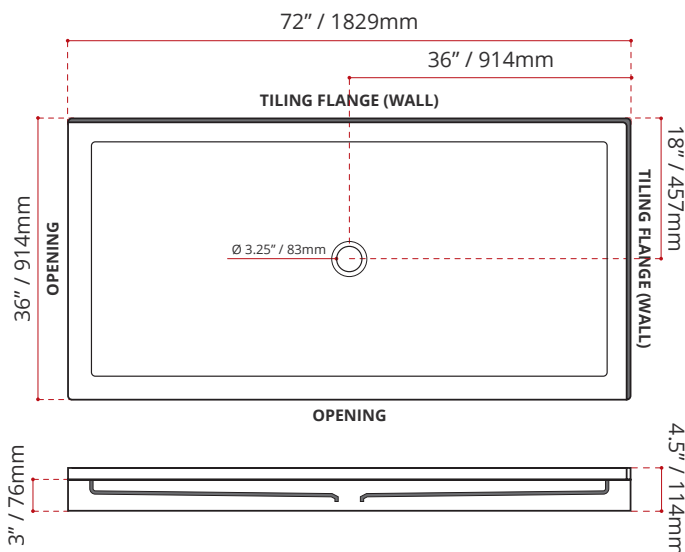
CUSTOMIZE YOUR SHOWER BASE

ALL UPCHARGE OPTIONS ARE MADE TO ORDER - NO REFUND - NO RETURN -

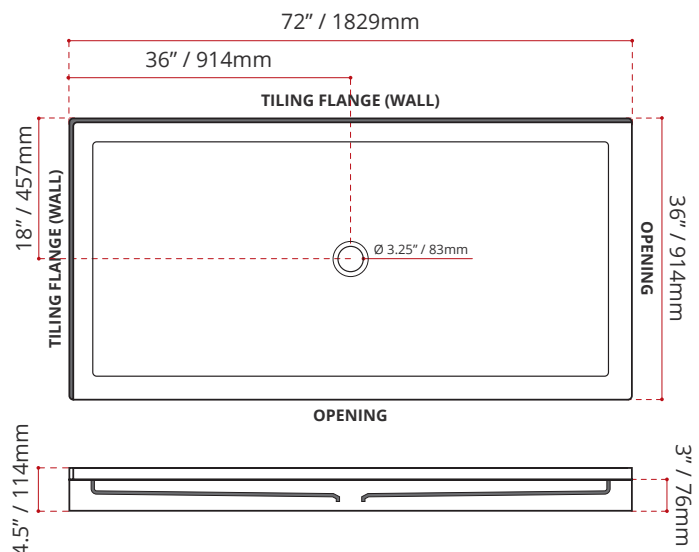
AVAILABLE CUSTOMIZATION OPTIONS	MODEL No.
TEXTURED BOTTOM	C4
DOUBLE TILING FLANGE	C5
TEXTURED BOTTOM + DOUBLE TILING FLANGE	C45

SHIPPING INFORMATION:
<ul style="list-style-type: none"> <li style="width: 50%;">• Length: 74" / 1880mm <li style="width: 50%;">• Net Weight: 35 kg / 77lbs <li style="width: 50%;">• Width: 34" / 864mm <li style="width: 50%;">• Gross Weight: 40 kg / 88lbs <li style="width: 50%;">• Height: 8" / 203mm

SDTCD7236L1
(LEFT HAND THRESHOLD OPENING)



SDTCD7236R1
(RIGHT HAND THRESHOLD OPENING)



DISCLAIMER: Measurements may vary ± 1/4" (Diagram Not to scale)

